

NOTES:

1. MATERIALS AND FINISHES:

BODY - BeCu, GOLD PLATING OVER WHITE BRONZE  
 CONTACT - BeCu, GOLD PLATING OVER WHITE BRONZE  
 INSULATOR - PTFE

2. ELECTRICAL:

A. IMPEDANCE: 50 OHM  
 B. FREQUENCY RANGE: DC - 6 GHz  
 C. DIELECTRIC WITHSTANDING VOLTAGE: 500 VRMS, MIN.

3. MECHANICAL:

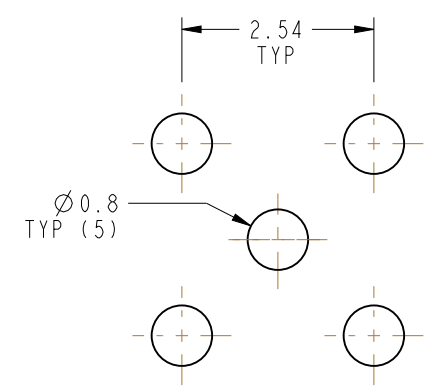
A. DURABILITY: 500 CYCLES MIN.  
 B. TEMPERATURE RANGE: -65° C TO 165° C

4. A. QUANTITY: BULK PACK 100  
 B. MARKING: BAG TO BE MARKED  
 "AMPHENOL, 908-NM22106 100 PIECES, AND DATE CODE"  
 AND "NON-MAGNETIC CONNECTORS"

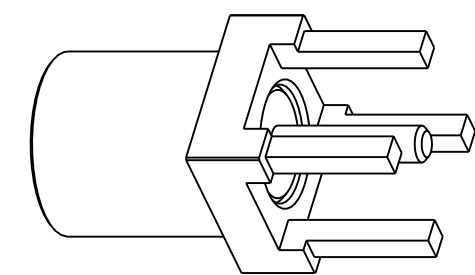
THIRD ANGLE PROJ.

REVISIONS

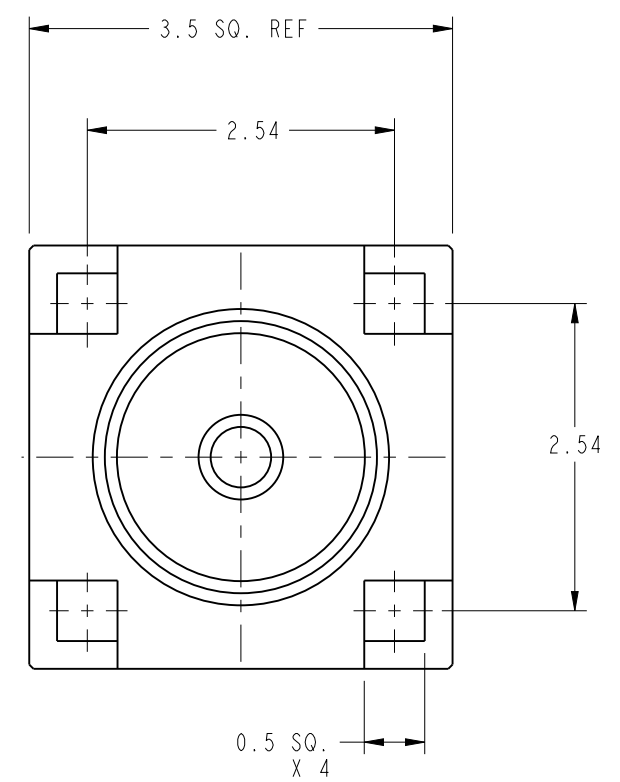
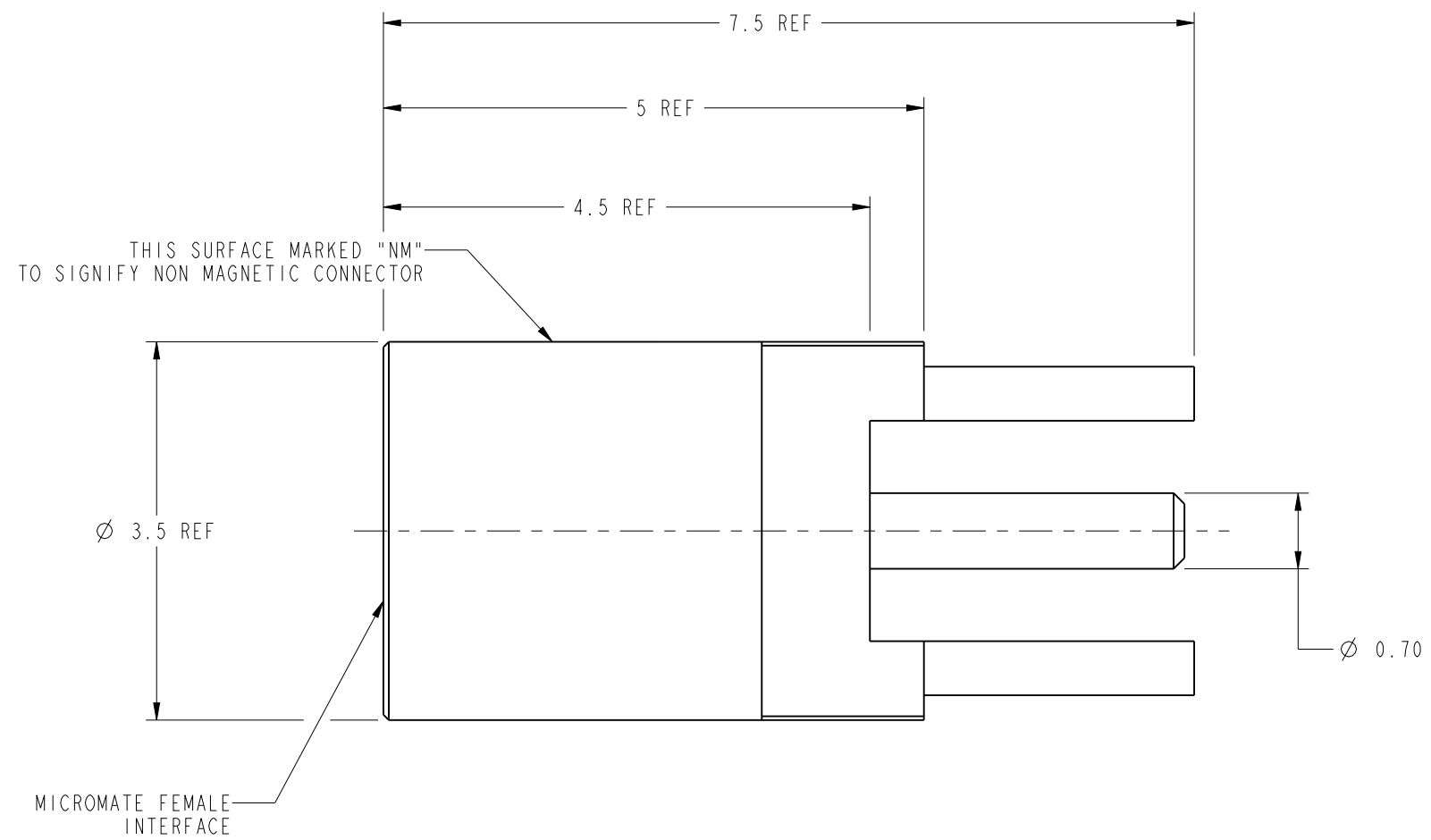
REV	DESCRIPTION	DATE	ECO	APPR
A	item RIE LwEsE9 0180-nmf-00.001.jg	3/17/10	47988	KJC
B	SEE SHEET 1	3/17/10	47980	CPM
C	IMPROVED MATING FORCES	8/27/12	49216	DD



**RECOMMENDED PCB LAYOUT**



SCALE 7.000



**CUSTOMER OUTLINE DRAWING**

ALL OTHER SHEETS ARE FOR INTERNAL USE ONLY

UNLESS OTHERWISE SPECIFIED, DIMENSIONS ARE IN METRIC AND TOLERANCES ARE: 0.5 - 6mm ±0.1mm    6 - 30mm ±0.2mm    30 - 120mm ±0.3mm    ANGLES ±1°	MATERIAL	DRAWN K. CAPOZZI	DATE 18-Jul-06	TITLE ASSEMBLY MMCX JACK STRAIGHT TO PCB NON MAGNETIC		Amphenol RF Danbury CT USA, Tainan, Taiwan, Shenzhen, China www.amphenolrf.com	
	REFERENCE EAR # 1952    AND	ENGINEER K. CAPOZZI	DATE 18-Jul-06			DRAWING NO.	
NOTICE - These drawings, specifications, or other data (1) are, and remain the property of Amphenol corp. (2) must be returned upon request; and (3) are confidential and not to be disclosed to any person other than those to whom they are given by Amphenol Corp. the finishing of these drawings, specifications, or other data by Amphenol Corp., or to any other person to anyone for any purpose is not to be regarded by implication or otherwise in any manner licensing, granting rights to permitting such holder or any other sperson to manufacture, use or sell any product, process or design, patented or otherwise, that may in any way be related to or disclosed by said drawings, specifications, or other data.	CONFIGURATION LEVEL:	APPROVED B. C. GLEISSNER	DATE 3/17/10	SCALE: 16.0:1.0    SHEET 2 OF 2		ITEM NO.	
	FINISH	Root Folder/MMCX/908-NM22106		DWG SIZE B	CODE ID 74868	REV C	908-NM22106