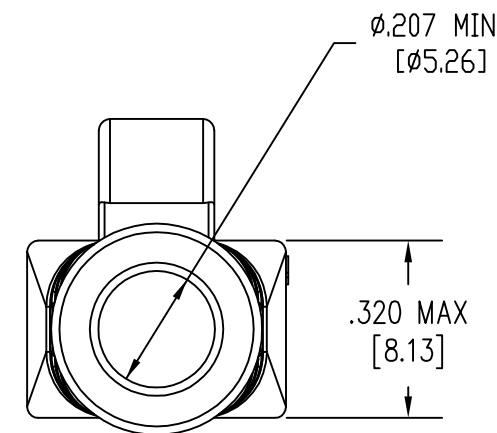
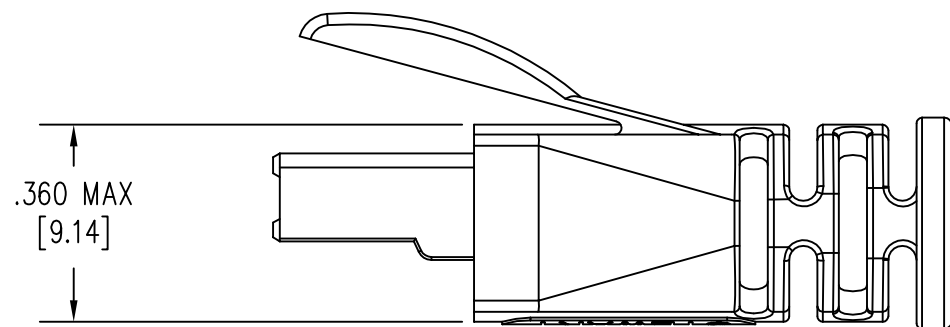
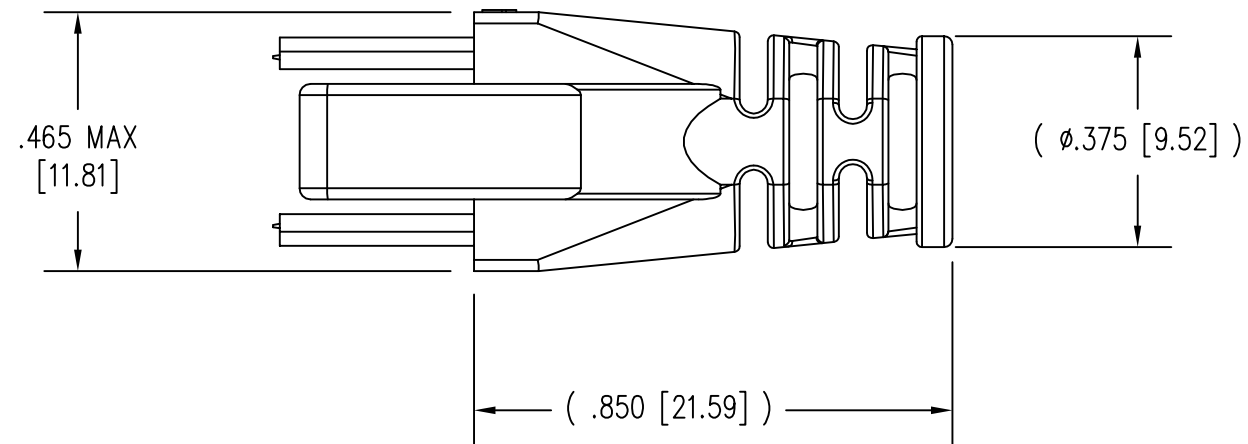


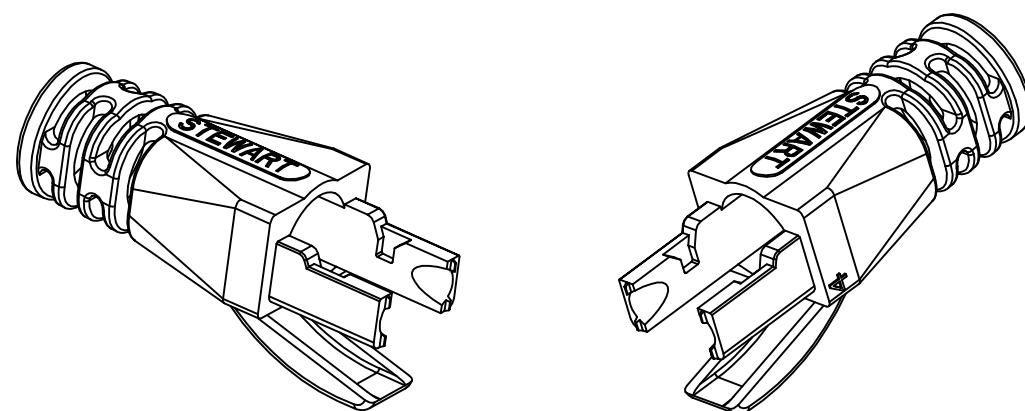
DATE	REV	ECN	APP'D. BY
7-27-15	A0	-	TRM
2-23-16	A1	10560	TRM



NOTES:

1. MATERIAL: POLYCARBONATE, UL 94-V0, CLEAR
2. CONSULT STEWART CONNECTOR FOR PLUG COMPATIBILITY.

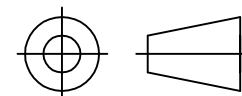
39100-888
PART NUMBER



SCALE 2.000



THIRD ANGLE PROJECTION



DO NOT SCALE DRAWING
DRAWING IS SUBJECT TO
CHANGE WITHOUT NOTICE

DIMENSIONS: INCHES [METRIC]

UNLESS OTHERWISE SPECIFIED
TOLERANCES ARE ±.005 [0.13]
ANGLES ARE ± 1°

SHEET NO.
1 OF 1



1118 Susquehanna Trail South
Glen Rock, PA 17327-9199
(717) 235-7512

<http://www.stewartconnector.com>

TITLE: BOOT, STEWART LOGO, CLEAR,
CATEGORY 6A, .205 MAX CABLE O.D.

THIS DRAWING AND THE SUBJECT MATTER SHOWN THEREON
ARE CONFIDENTIAL AND THE PROPRIETARY PROPERTY OF
STEWART CONNECTOR AND SHALL NOT BE REPRODUCED,
COPIED, OR USED IN ANY MANNER WITHOUT PRIOR WRITTEN
CONSENT OF STEWART CONNECTOR. ONE OR MORE U.S. PATENTS
MAY APPLY TO THIS PRODUCT. FOR DETAILS, PLEASE
VISIT: [HTTP://BELFUSE.COM/STEWART/STEWART_PATENTS/](http://BELFUSE.COM/STEWART/STEWART_PATENTS/)

DRN BY: DHG DATE 7-27-15

APPD BY: TRM DATE 7-27-15

DWG NO. CT390141 REV. A1