



Part No: CLS0231MA3E-L152

Date: 7/03/2007

Unit: mm

Description: speaker

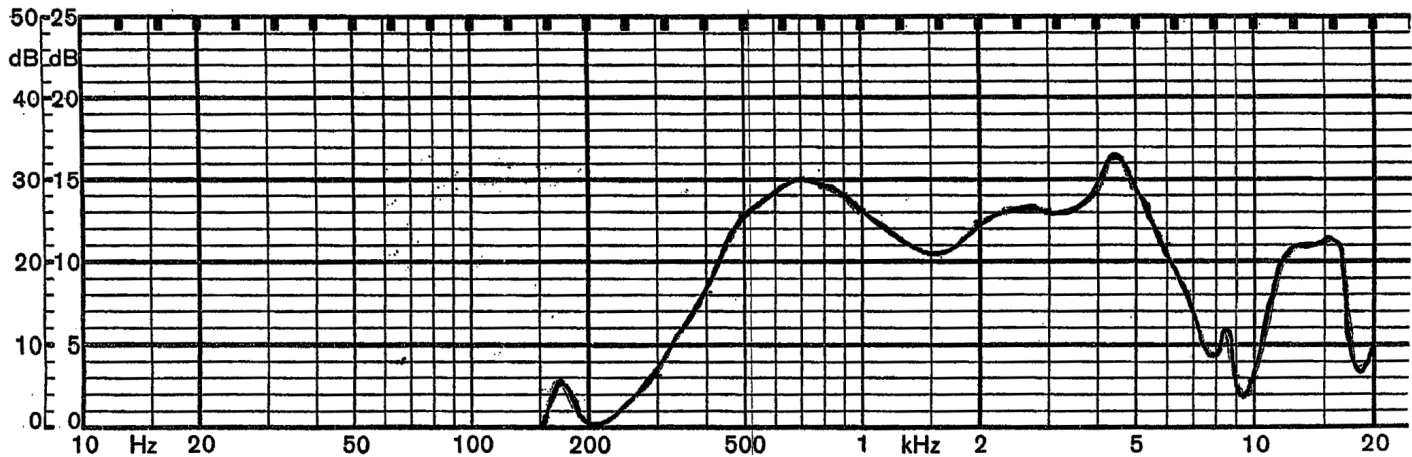
Page No: 1 of 2

Specifications

| | | | |
|----------------------|--|---|-----------|
| Nominal Size | 23 mm | | |
| Impedance | 32 Ohm \pm 15% | at | 1 KHz 1 V |
| Resonant frequency | 680 Hz \pm 136 Hz | at | 1 V |
| Sound pressure level | 84 dB/w \pm 3 dB | 0.2 w 50 cm ave. at 1K, 1.2K, 1.5K, 2K Hz | |
| Response | Fo Hz ~ 7 KHz max 10 dB | | |
| Input power | Nominal 0.2 W | Handling capacity | 0.4 W |
| Operation | must be normal at program source 0.2 W | | |
| Buzz, rattle, etc. | must be normal at sine wave 2.53 V | | |
| Magnet | Size: 8 x 1 mm | | |
| Load test | White noise 0.2 W | for | 24 hours |
| Heat test | 60 \pm 2° C | 20-50% R.H. | 24 hours |
| Humidity test | 40 \pm 2° C | 90-95% R.H. | 24 hours |

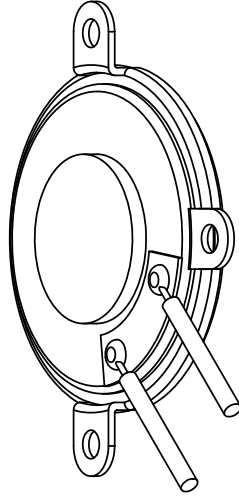
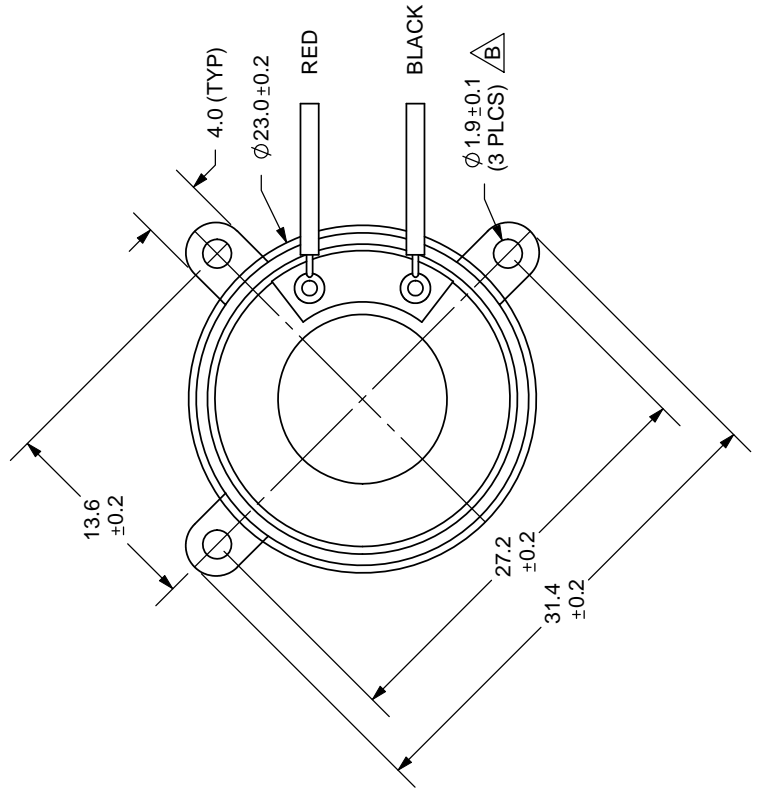
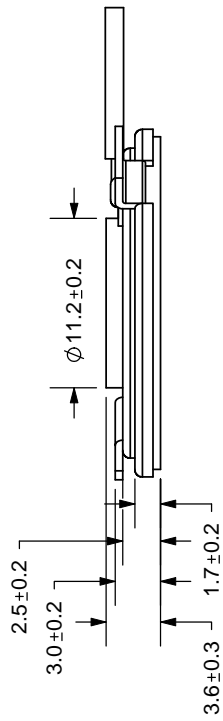
Frequency Response Curve

| | |
|-----------------------|------------|
| Potentiometer range | 50 dB |
| Rectifier | RMS |
| Lower limit frequency | 20 Hz |
| Wr. speed | 100 mm/sec |



Zero level 60 dB

| REV. | DESCRIPTION | DATE |
|------|-------------------------------|-----------|
| A | NEW DRAWING | 7/3/2007 |
| B | added mounting hole dimension | 1/31/2008 |



SPECIFICATIONS:
WIRE: UL1007, #28AWG
LENGTH: 152mm

TOLERANCE:
±0.5mm UNLESS OTHERWISE
SPECIFIED



CUI INC

20050 SW 112th Ave.
Tualatin, OR 97062
Phone: 503-612-2300
800-275-4899
Fax: 503-612-2383
Website: www.cui.com

TITLE: LOW PROFILE SPEAKER REV: B

PART NO: CLS0231MA3E-L152 UNITS: MM [INCHES]

DRAWN BY: ZRJ APPROVED BY: SCALE: 2:1