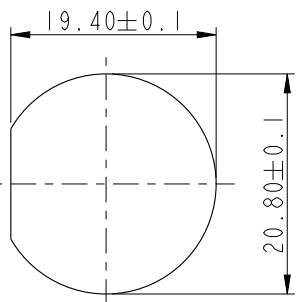


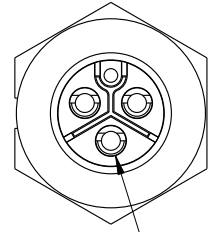
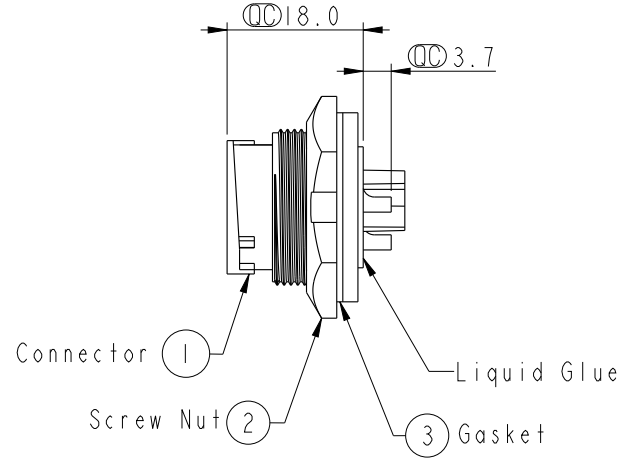
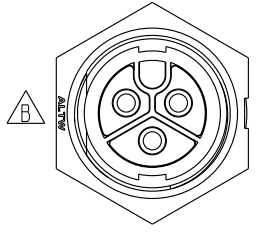
REV.	ECN NO.	DATE	SIGN	DESCRIPTION
A	Initial Release	2012/08/13	Yulong	Change Rve.01 To Rve.A
B	LEN1590264	2015-09-09	Tom	Change Logo

**ALTW**  
**CONFIDENTIAL**  
**2015-09-09**  
**R&D DEPT.**

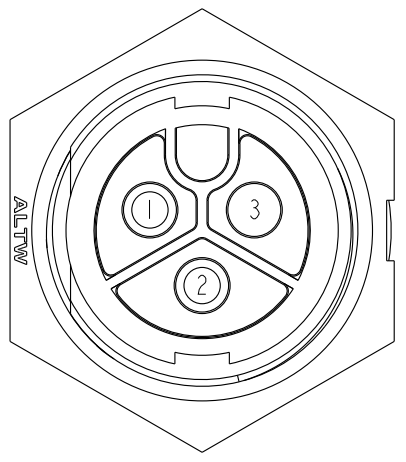
**ALTW**  
**DCC. DEPT.**  
**CONFIDENTIAL**  
**2015.09.18**  
**ISSUED**



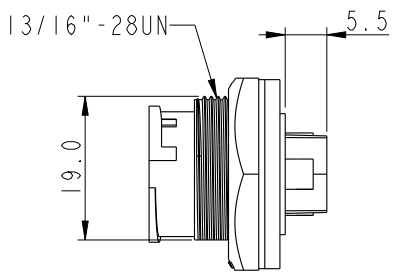
Recommended  
Panel Cut-Out



QC Long Male Pin (Pin 2)



Pin Assignments  
Front View



- Note:
- \* QC Important Dimension To Check.
  - \* Waterproof Rate: IP67
  - \* Connector: Nylon+GF, Black
  - \* Male Pin: Copper Alloy, Gold Plated.
  - \* Screw Nut: Nylon+GF, Black.
  - \* Gasket: Silicone, UL94V-0, Gray.
  - \* Maximum Panel Thickness: 4.5mm.

UNIT: mm		
TOLERANCE	.X ±0.25	
.XX ±0.1		
.XXX ±0.05		
ANGLES	±1°	

TITLE POWER PANEL LOCK 3PIN M CONN M PIN			
SCALE 1:1	SIZE A4	SHEET 1 OF 1	
REV. B	WC-REV. A.4	QC: Inspection item	

**Amphenol LTW**  
**安費諾亮泰企業股份有限公司**

ITEM NO. PWC-03PMMS-LC7001	DRAWN BY Tom	DATE 2015-09-09
DWG NO. PWC-03PMMS-LC7001	CHECKED BY Jiazhen	DATE 2015-09-09
CUSTOMER ALTW	APPROVED BY Jerry	DATE 2015-09-09

THIS DOCUMENT IS SUBJECT TO CHANGE WITHOUT NOTICE. IT IS CONFIDENTIAL AND A PROPERTY OF Amphenol LTW. DISCLOSURE TO THIRD PARTY HAS TO BE AUTHORIZED BY Amphenol LTW.