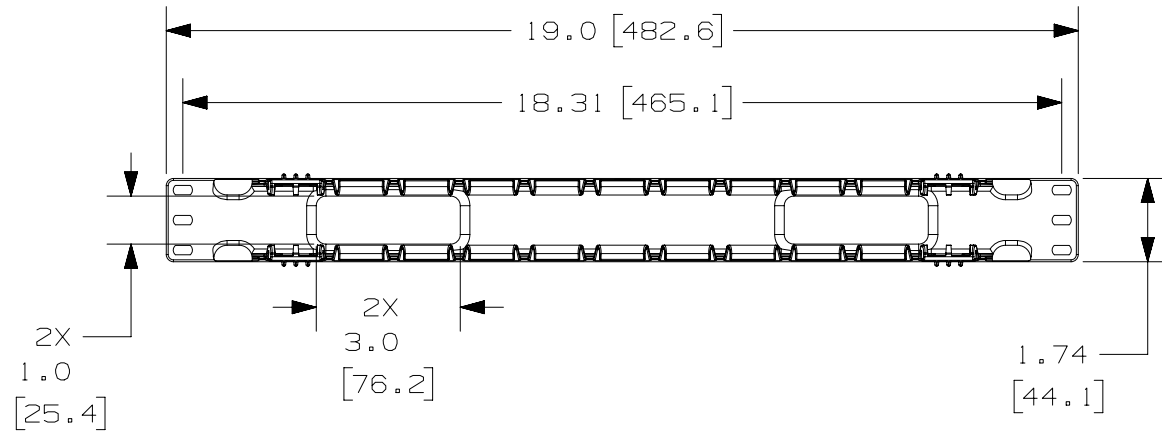
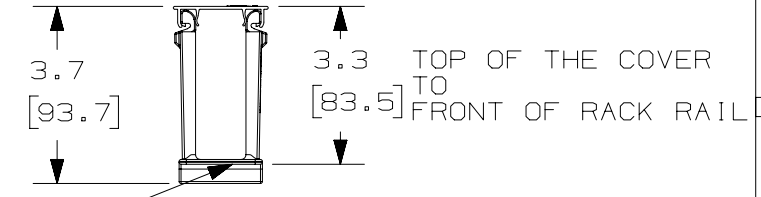
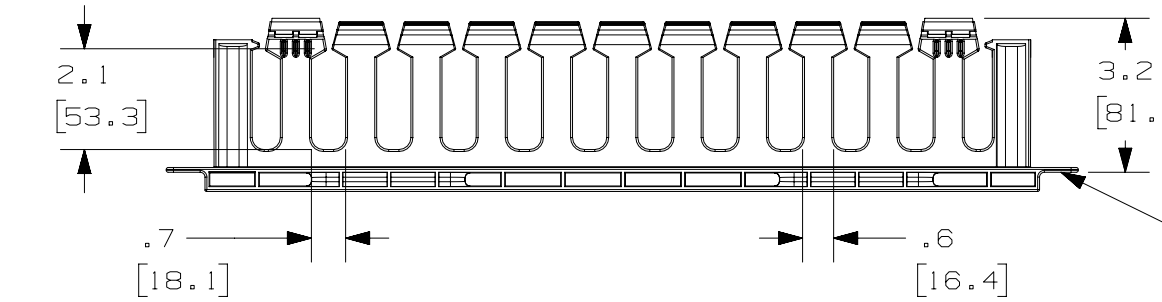


THIS COPY IS PROVIDED ON A RESTRICTED BASIS AND IS NOT TO BE USED IN ANY WAY DETRIMENTAL TO THE INTERESTS OF PANDUIT CORP.

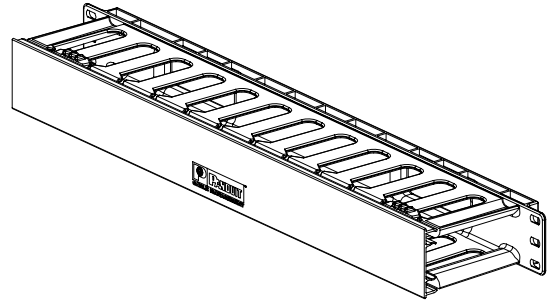


PANDUIT P/N	WEIGHT
WMPFSE	.9 LBS/EACH 408 g/EACH
WMPFSE - E (20 PARTS/CARTON)	18 LBS/EACH 8.2 Kg/EACH

- NOTES:
- DESIGNED FOR MOUNTING ON 19" EIA RACKS.
 - COMPONENTS:
1- MANAGER
1- 17" X 2.0" DUAL HINGED COVER
4- #12-24 X 1/2" SCREWS
 - DIMENSIONS IN PARENTHESES ARE METRIC.



SURFACE IN CONTACT WITH FRONT OF THE RACK RAIL



TITLE		WMPFSE HORIZONTAL MANAGER	
CUSTOMER DRAWING			
ITEM REVISION NAME	V10101FS/06	PANDUIT	
DATASET FILE NAME	V10101FS_DC/06A		
UNLESS OTHERWISE SPECIFIED, DIMENSIONAL TOLERANCES ARE: IN (mm)		MATERIAL: ABS	
THIRD ANGLE PROJECTION		DRAWING NUMBER: V10101FS-DC	
DRAWN BY	DATE	CHK	SCALE
JDWE	12-18-02	MECA	NONE
SHT 1 OF 1		SIZE A	

REV	DATE	BY	CHK	APR	DESCRIPTION	ECN
06A	3-26-15	TWV	MACA	KRKE	BOM ADJUSTMENT; REVISED NOTES.	V10101FS-DC
05D	4-8-13	BAME	FGR	CMK	REVISED AND REDRAWN; ALL PREVIOUS REVS OMITTED REVISED TITLE BLOCK	V10101FS-DC
R	12-18-02	JDWE	MECA	RTSU	RELEASED TO PRODUCTION	10101-21

D10100DA/15