

4

3

2

1

THIS DRAWING IS UNPUBLISHED.

RELEASED FOR PUBLICATION

2011

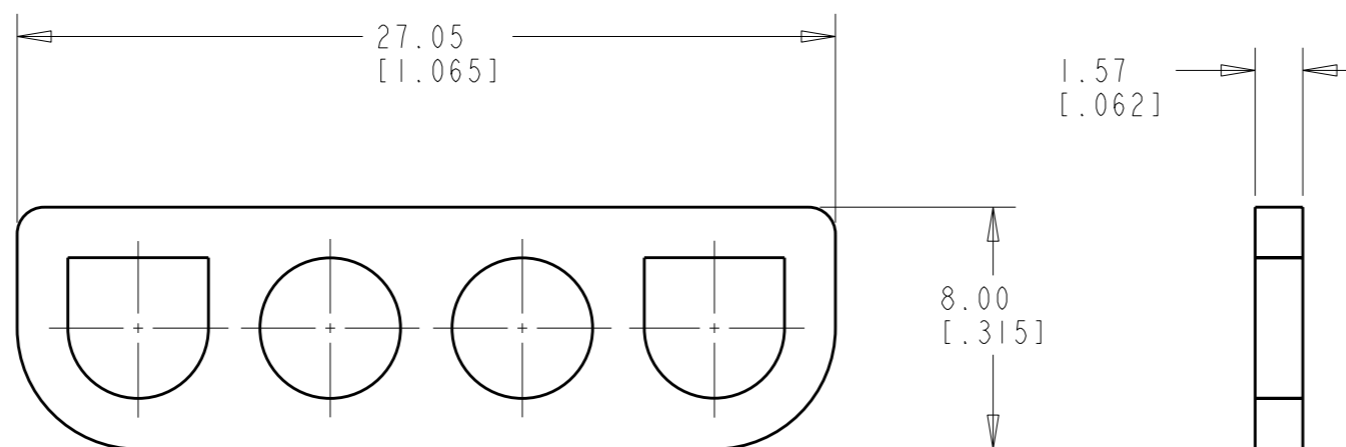
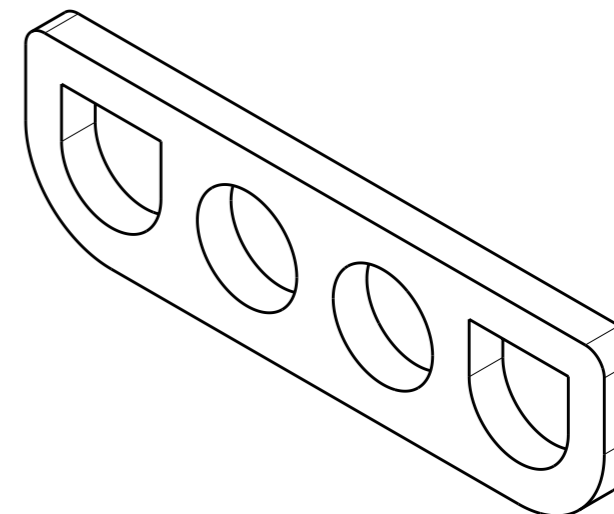
© COPYRIGHT 2011

ALL RIGHTS RESERVED.

LOC CM DIST 45

REVISIONS

P	LTR	DESCRIPTION	DATE	DWN	APVD
	CI	REVISED PER ECR-12-007748	02MAY2012	HMR	TM



- 1 MATERIAL: CLOSED CELL SILICON FOAM, BLACK
- 2. SUPPLIED ON MYLAR TAPE.

794785-1  
PART NUMBER

THIS DRAWING IS A CONTROLLED DOCUMENT.		DWN W J RUDY 02MAY2000	<b>TE Connectivity</b>													
DIMENSIONS: mm [INCHES]		CHK R WALKER 02MAY2000														
TOLERANCES UNLESS OTHERWISE SPECIFIED:		APVD R WALKER 02MAY2000														
<table border="0"> <tr><td>0 PLC</td><td>±-</td></tr> <tr><td>1 PLC</td><td>±-</td></tr> <tr><td>2 PLC</td><td>±-0.38 [0.015]</td></tr> <tr><td>3 PLC</td><td>±-</td></tr> <tr><td>4 PLC</td><td>±-</td></tr> <tr><td>ANGLES</td><td>±-</td></tr> </table>		0 PLC	±-	1 PLC	±-	2 PLC	±-0.38 [0.015]	3 PLC	±-	4 PLC	±-	ANGLES	±-	PRODUCT SPEC -	NAME INTERFACE SEAL, 4 CIRCUIT, UNIVERSAL MATE-N-LOCK™	
0 PLC	±-															
1 PLC	±-															
2 PLC	±-0.38 [0.015]															
3 PLC	±-															
4 PLC	±-															
ANGLES	±-															
MATERIAL		APPLICATION SPEC -	SIZE A3	CAGE CODE 00779	DRAWING NO C-794785	RESTRICTED TO -										
FINISH -		WEIGHT -	SCALE 4:1		SHEET 1 OF 1	REV CI										

