

NOTES:

1. Ⓞ REPRESENTS A CRITICAL DIMENSION.
2. MINIMUM PUSHOUT FORCE: 1 LB[4.45N].
3. MAXIMUM ALLOWABLE BOW: .002[.05] INCH/INCH AFTER ASSEMBLY.
4. POST HEIGHT VARIATION BETWEEN ANY TWO PINS: .005[.13].
5. FOR ALL PINS: NO BAND MARKS ALLOWED IN POST AREA.
6. FOR LOCKING CLIPS: .75LB[3.336N] MIN RETENTION.
7. MEASURE AT BEND.
8. MAX PIN ROTATION IN BODY TO BE 2°.

DO NOT SCALE FROM THIS PRINT

No. OF POSITIONS
-02 THRU -25

LEAD STYLE
-01

PLATING SPECIFICATION

- L: LIGHT SELECTIVE (USE T-1S71-XX-L)
- F: FLASH GOLD SELECTIVE (USE T-1S71-XX-F)
- S: SELECTIVE GOLD (USE T-1S71-XX-S)

OPTION

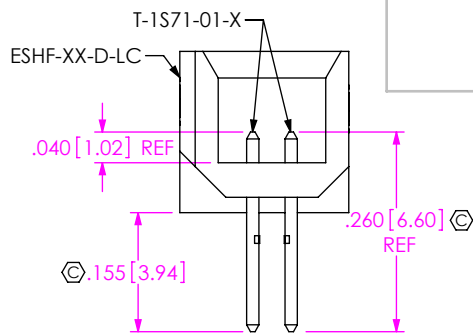
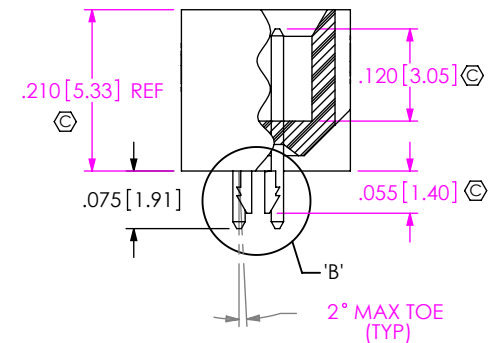
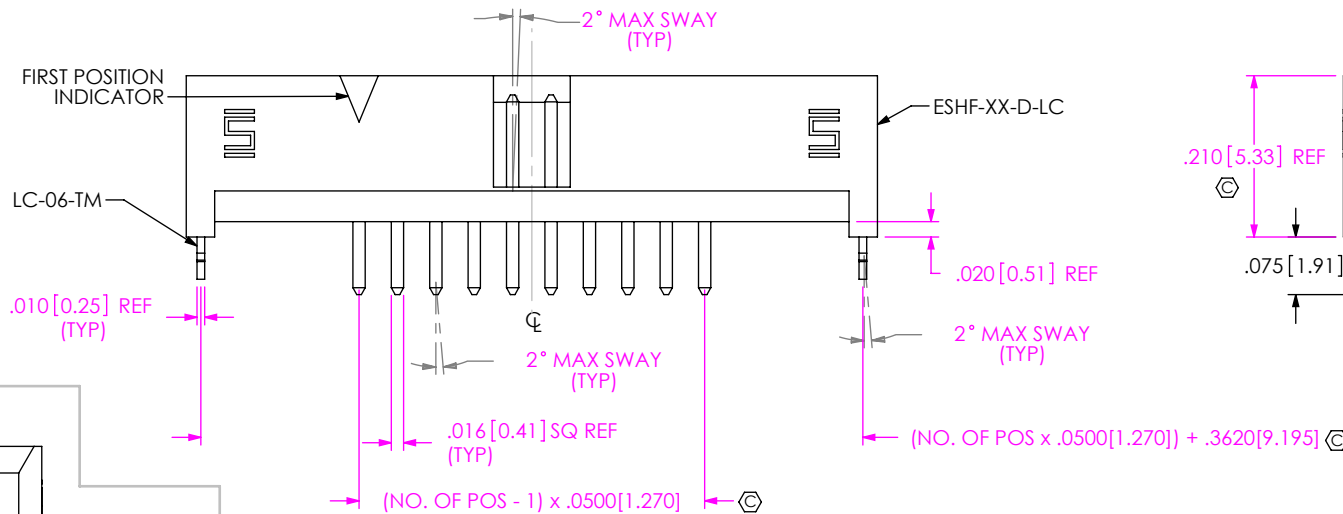
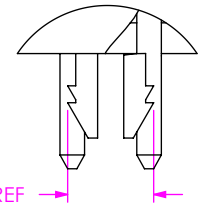
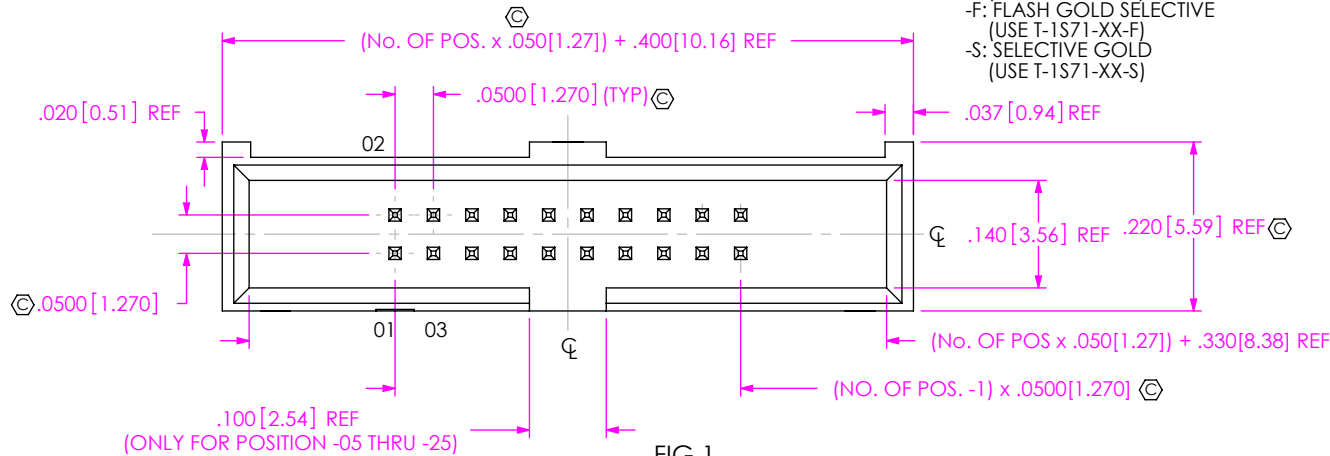
- LC: LOCKING CLIP (NOT AVAILABLE WITH -RA)
- K: POLYIMIDE FILM (-SM ONLY) (AVAILABLE IN TAPE & REEL ONLY)
- TR: TAPE AND REEL (SEE FIG 5, SHT 4)

BODY HEIGHT

- TH: THROUGH HOLE (SEE FIG 1, SHT 1)
- RA: RIGHT ANGLE (SEE FIG 2, SHT 2)
- SM: SURFACE MOUNT (SEE FIG 3, SHT 3)

ROW SPECIFICATION

- D: DOUBLE



UNLESS OTHERWISE SPECIFIED, DIMENSIONS ARE IN INCHES. TOLERANCES ARE:
 DECIMALS ANGLES
 .XX: ±.01 [0.3] 2°
 .XXX: ±.005 [0.13]
 .XXXX: ±.0020 [0.051]

PROPRIETARY NOTE
 THIS DOCUMENT CONTAINS CONFIDENTIAL AND PROPRIETARY INFORMATION AND ALL DESIGN, MANUFACTURING, REPRODUCTION, USE, PATENT RIGHTS AND SALES RIGHTS ARE EXPRESSLY RESERVED BY SAMTEC, INC. THIS DOCUMENT SHALL NOT BE DISCLOSED, IN WHOLE OR PART, TO ANY UNAUTHORIZED PERSON OR ENTITY NOR REPRODUCED, TRANSFERRED OR INCORPORATED IN ANY OTHER PROJECT IN ANY MANNER WITHOUT THE EXPRESS WRITTEN CONSENT OF SAMTEC, INC.



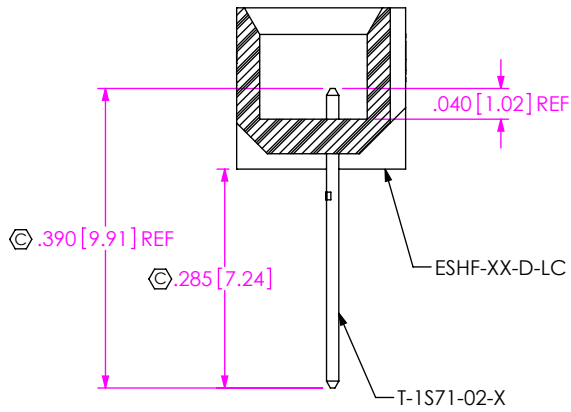
520 PARK EAST BLVD, NEW ALBANY, IN 47150
 PHONE: 812-944-6733 FAX: 812-948-5047
 e-Mail: info@SAMTEC.com code: 55322

MATERIAL: DO NOT SCALE DRAWING SHEET SCALE: 4:1
 INSULATOR: LCP, COLOR: BLACK
 TERMINAL: PHOS BRONZE

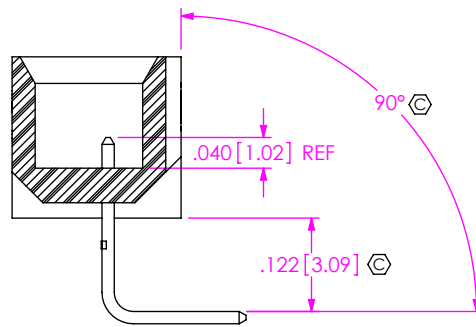
DESCRIPTION:
 .050 x .050 EXTRA LENGTH SHROUDED TERMINAL STRIP
 DWG. NO.

ESHF-1XX-01-X-D-XX-XX

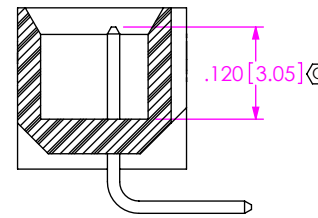
BY: T NEWTON 1/10/2008 SHEET 1 OF 4



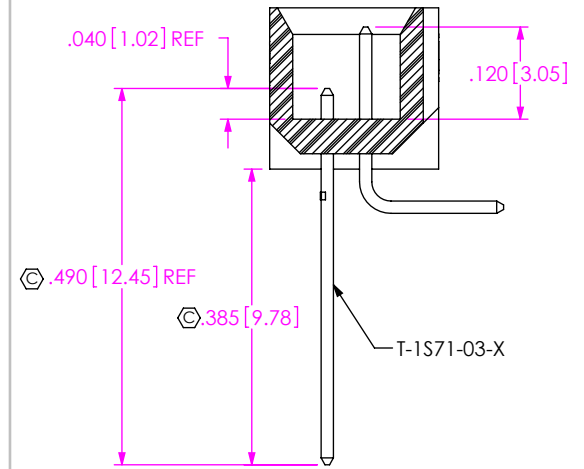
IN-PROCESS 1
(FOR -RA ONLY)



IN-PROCESS 2
(FOR -RA ONLY)



IN-PROCESS 3
(FOR -RA ONLY)



IN-PROCESS 4
(FOR -RA ONLY)

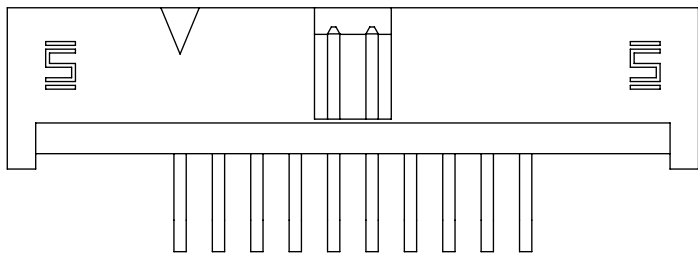
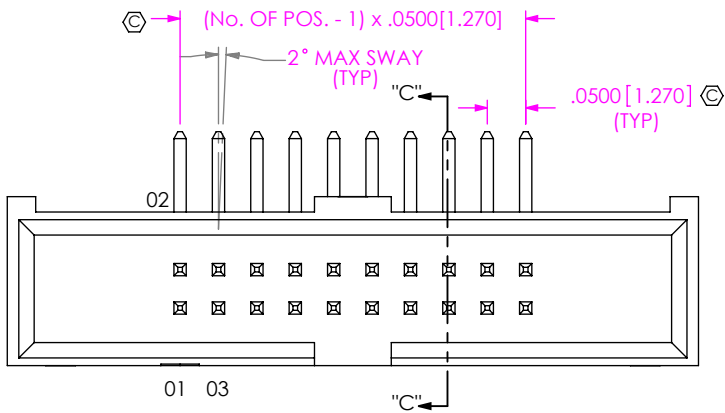
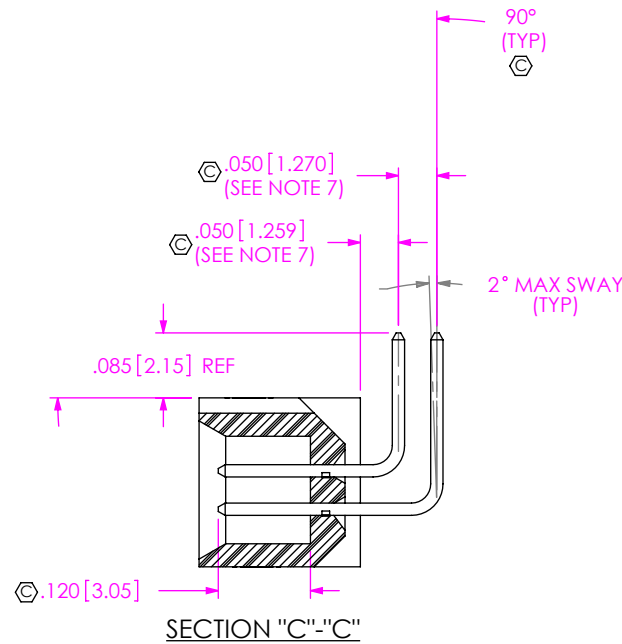
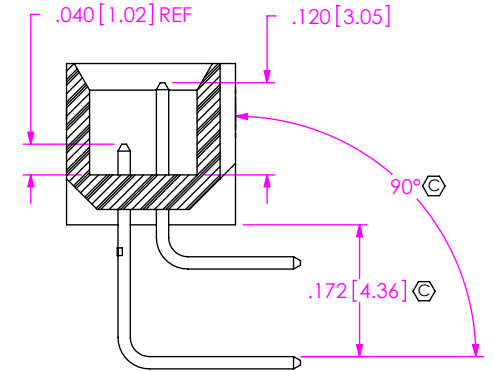


FIG 2
(ESHF-110-01-X-D-RA SHOWN)
(SAME AS FIG 1, DIFFERENT AS SHOWN)

F:\DWG\MISC\MKTG\ESHF-1XX-01-X-D-XX-XX-MKT.SLDDRW



SECTION "C"-"C"



IN-PROCESS 5
(FOR -RA ONLY)

PROPRIETARY NOTE

THIS DOCUMENT CONTAINS CONFIDENTIAL AND PROPRIETARY INFORMATION AND ALL DESIGN, MANUFACTURING, REPRODUCTION, USE, PATENT RIGHTS AND SALES RIGHTS ARE EXPRESSLY RESERVED BY SAMTEC, INC. THIS DOCUMENT SHALL NOT BE DISCLOSED, IN WHOLE OR PART, TO ANY UNAUTHORIZED PERSON OR ENTITY NOR REPRODUCED, TRANSFERRED OR INCORPORATED IN ANY OTHER PROJECT IN ANY MANNER WITHOUT THE EXPRESS WRITTEN CONSENT OF SAMTEC, INC.

DO NOT SCALE DRAWING

SHEET SCALE: 4:1

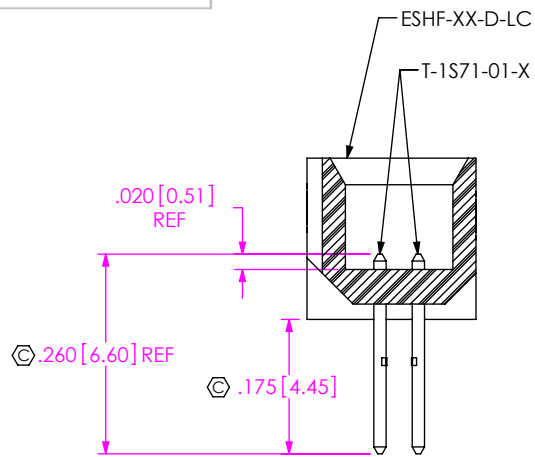
samtec

520 PARK EAST BLVD, NEW ALBANY, IN 47150
PHONE: 812-944-6733 FAX: 812-948-5047
e-Mail: info@SAMTEC.com code: 55322

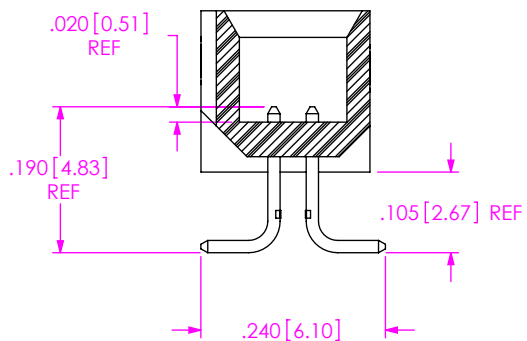
DESCRIPTION:
.050 x .050 EXTRA LENGTH SHROUDED TERMINAL STRIP

DWG. NO.
ESHF-1XX-01-X-D-XX-XX

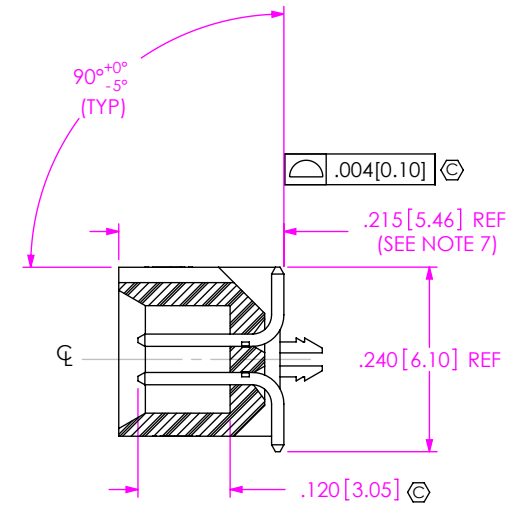
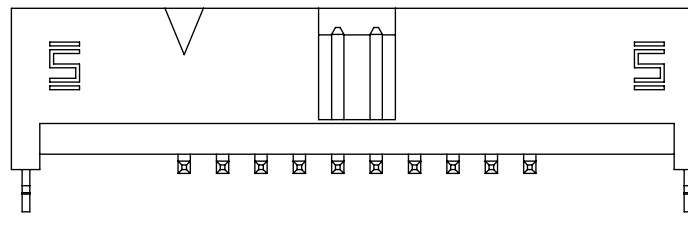
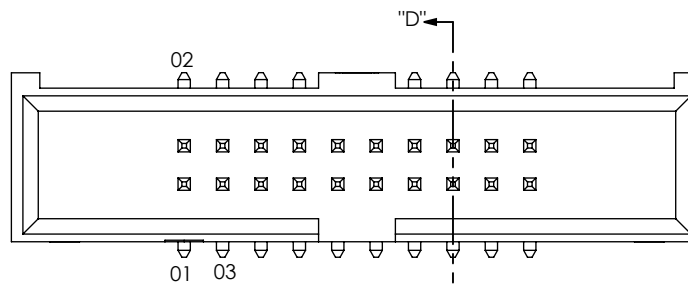
BY: T NEWTON 1/10/2008 SHEET 2 OF 4



IN-PROCESS 1
(FOR -SM ONLY)



IN-PROCESS 2
(FOR -SM ONLY)



SECTION "D"-"D"

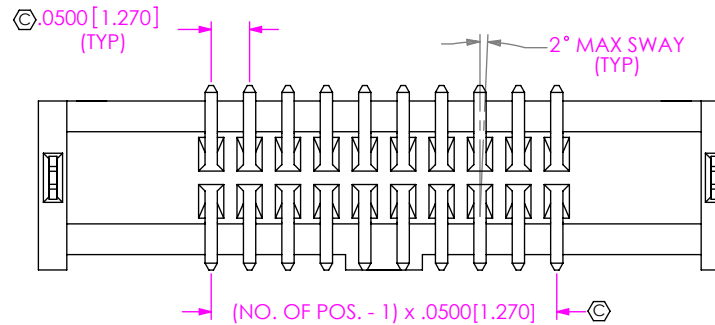


FIG 3
(ESHF-110-01-X-D-SM-LC SHOWN)
(SAME AS FIG 1, DIFFERENT AS SHOWN)

PROPRIETARY NOTE
THIS DOCUMENT CONTAINS CONFIDENTIAL AND PROPRIETARY INFORMATION AND ALL DESIGN, MANUFACTURING, REPRODUCTION, USE, PATENT RIGHTS AND SALES RIGHTS ARE EXPRESSLY RESERVED BY SAMTEC, INC. THIS DOCUMENT SHALL NOT BE DISCLOSED, IN WHOLE OR PART, TO ANY UNAUTHORIZED PERSON OR ENTITY NOR REPRODUCED, TRANSFERRED OR INCORPORATED IN ANY OTHER PROJECT IN ANY MANNER WITHOUT THE EXPRESS WRITTEN CONSENT OF SAMTEC, INC.



520 PARK EAST BLVD, NEW ALBANY, IN 47150
PHONE: 812-944-6733 FAX: 812-948-5047
e-Mail: info@SAMTEC.com code: 55322

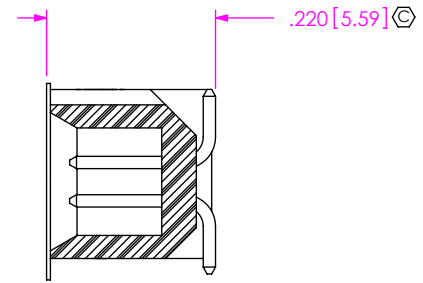
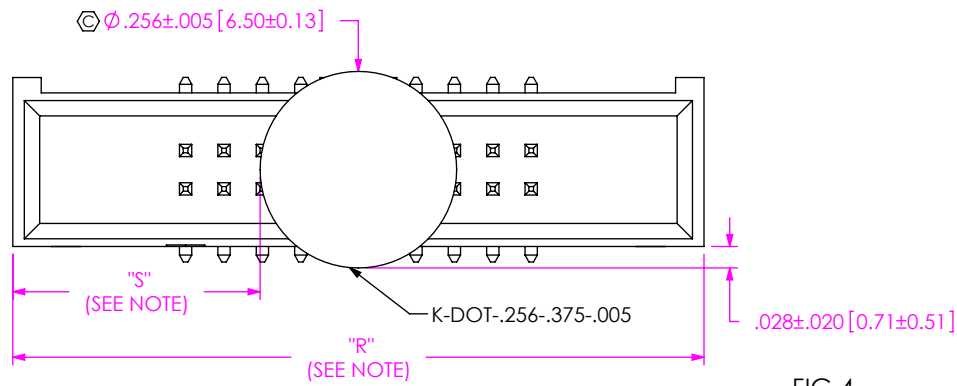
DO NOT SCALE DRAWING

SHEET SCALE: 4:1

DESCRIPTION:
.050 x .050 EXTRA LENGTH SHROUDED TERMINAL STRIP

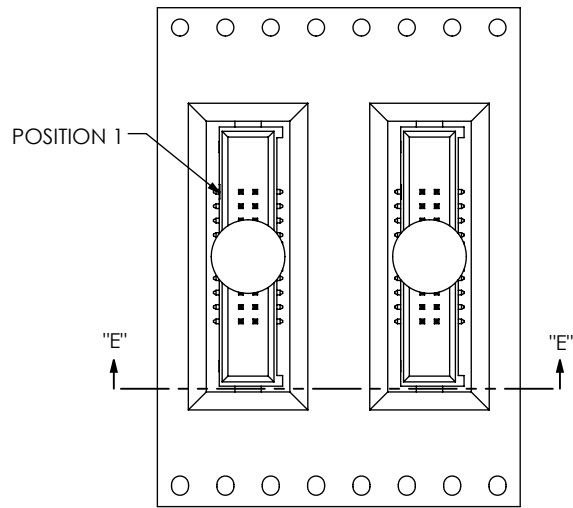
DWG. NO.
ESHF-1XX-01-X-D-XX-XX

BY: T NEWTON 1/10/2008 SHEET 3 OF 4

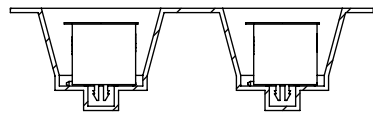


NOTE: "R" = USED MEASURED DIMENSION (REF)
 "S" = $\{("R" -.256[6.50])/2\} \pm 0.020[0.51]$

FIG 4
 (ESHF-110-01-X-D-SM-K SHOWN)
 (SAME AS FIG 1, DIFFERENT AS SHOWN)



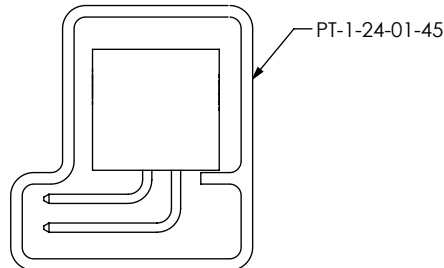
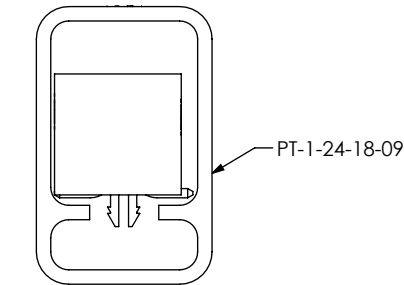
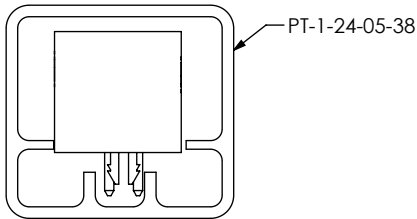
USER DIRECTION OF UN-REELING
 POCKET NOT DETAILED



SECTION "E"- "E"
 SCALE 1.5 : 1

FIG 5
 -TR: TAPE & REEL VIEW

PACKAGING
 ALL PARTS ARE LOADED WITH POSITION 1
 TOWARDS THE ARROW EXCEPT WHERE NOTED



NOTE: ALL POSITIONS ARE TO BE TUBED

TABLE 1		
OPTIONS	PACKAGING TUBE	PLUG
-TH, -TH-LC	PT-1-24-05-38	TP-03
-SM, -SM-LC	PT-1-24-18-09	TP-03
-RA	PT-1-24-01-45	TP-07

PROPRIETARY NOTE
 THIS DOCUMENT CONTAINS CONFIDENTIAL AND PROPRIETARY INFORMATION AND ALL DESIGN, MANUFACTURING, REPRODUCTION, USE, PATENT RIGHTS AND SALES RIGHTS ARE EXPRESSLY RESERVED BY SAMTEC, INC. THIS DOCUMENT SHALL NOT BE DISCLOSED, IN WHOLE OR PART, TO ANY UNAUTHORIZED PERSON OR ENTITY NOR REPRODUCED, TRANSFERRED OR INCORPORATED IN ANY OTHER PROJECT IN ANY MANNER WITHOUT THE EXPRESS WRITTEN CONSENT OF SAMTEC, INC.



520 PARK EAST BLVD, NEW ALBANY, IN 47150
 PHONE: 812-944-6733 FAX: 812-948-5047
 e-Mail: info@SAMTEC.com code: 55322

DO NOT SCALE DRAWING

SHEET SCALE: 4:1

DESCRIPTION:
 .050 x .050 EXTRA LENGTH SHROUDED TERMINAL STRIP

DWG. NO.
ESHF-1XX-01-X-D-XX-XX

BY: T NEWTON 1/10/2008 SHEET 4 OF 4