

LOC	DIST	REVISIONS					
A	00	P	LTR	DESCRIPTION	DATE	DWN	APVD
			C1	SEE PRODUCT DRAWING	-	-	-


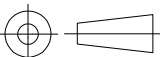
SEE CUSTOMER ACCESSIBLE
 PRODUCTION DRAWING
 1385303

RELEASED FOR PUBLICATION

ALL RIGHTS RESERVED.

THIS DRAWING IS UNPUBLISHED.

© COPYRIGHT - By -

DIMENSIONS: INCHES	DWN	M.YOUNGER	23APR2014	MATERIAL	-	FINISH	-
	CHK	G. BAILEY	23APR2014	 TE Connectivity			
TOLERANCES UNLESS OTHERWISE SPECIFIED:	APVD	G. BAILEY	23APR2014				
0 PLC ± -	PRODUCT SPEC			NAME ULTRA-POD APPLICATOR, .250 STRAIGHT			
1 PLC ± -	-						
2 PLC ± -	APPLICATION SPEC			SIZE	CAGE CODE	DRAWING NO	RESTRICTED TO
3 PLC ± -	-			A4	00779	C-1385303	-
4 PLC ± -	WEIGHT			CUSTOMER DRAWING			
ANGLES ± -	-			SCALE	1:1	SHEET	1 OF 1
			REV		C1		