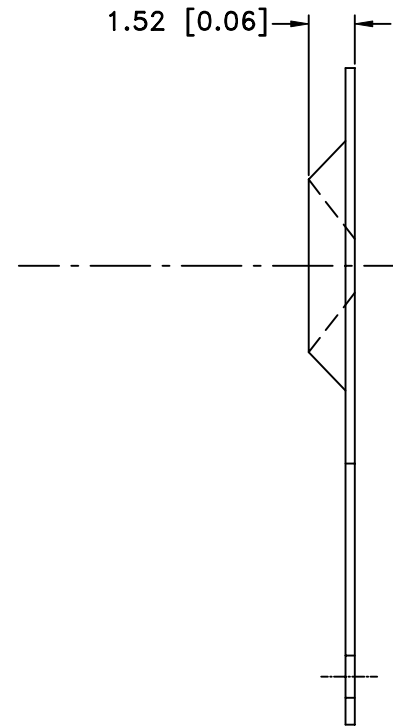
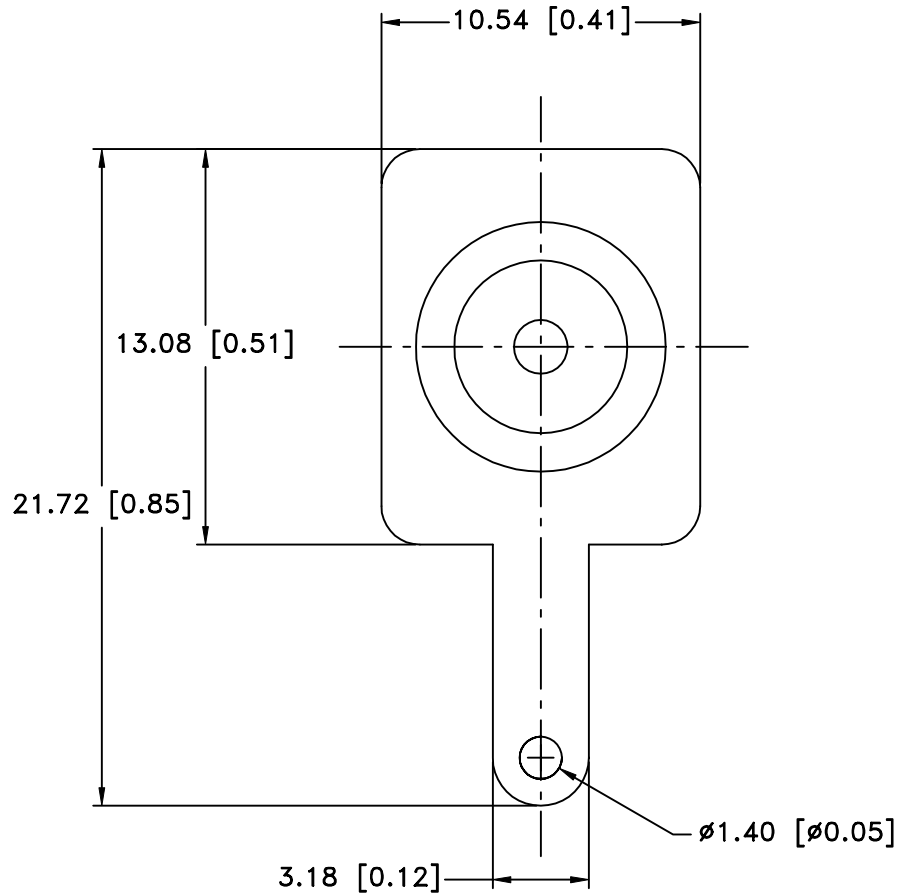



Date	SYM	REVISION RECORD	AUTH	DR.	CK.



**NOTES:**

1. BASE: BRASS, 0.3mm (0.012") THICK. NICKLE PLTD.

Tolerance (Except as noted)	 <b>Memory Protection Devices, Inc</b> 200 Broad Hollow Road, Farmingdale, New York 11735		
decimal ±.5 (.020)	Scale	Drawn By B.S.	
Fractional ± .8 (.030)	Title	"AA" BATTERY POSITIVE CONTACT	
Angular ± 3°	Date 04/07/01	Drawing Number SNT52	
			Approved By T.B.