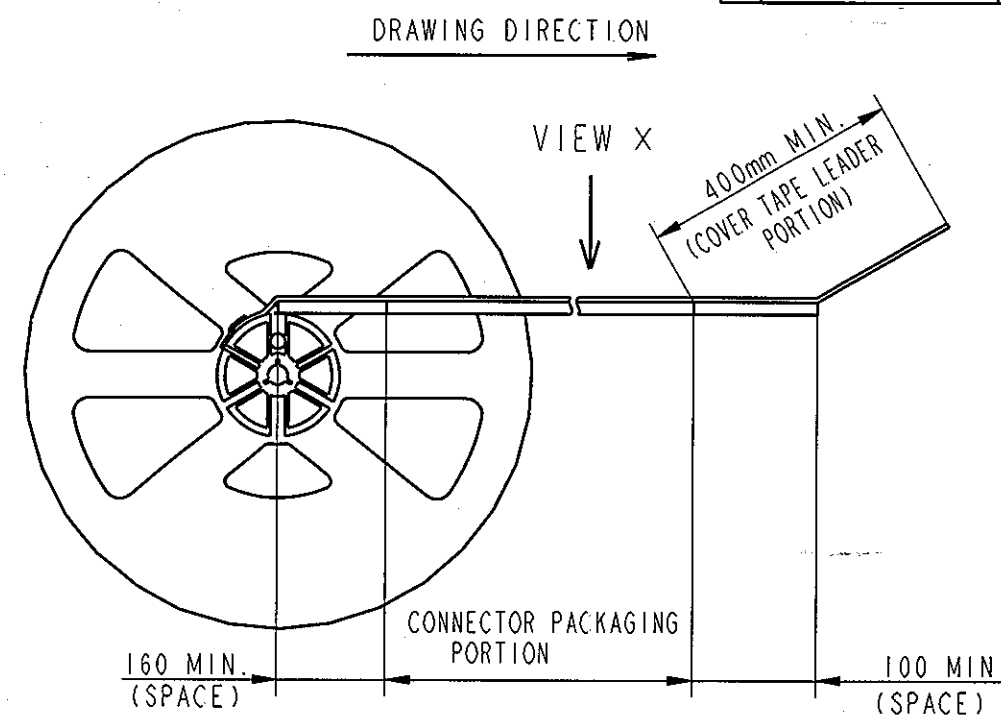
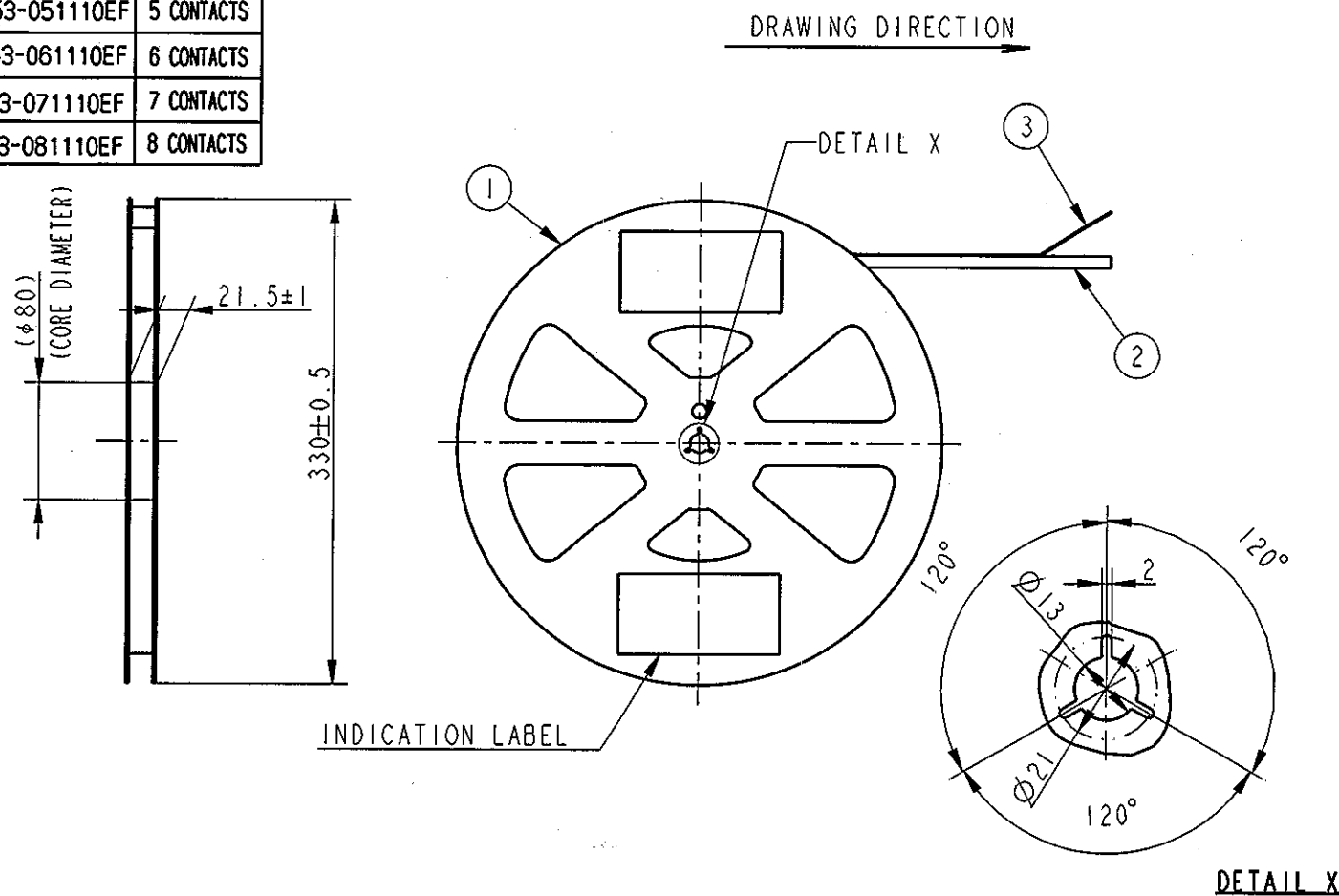


PRODUCT NO.	NO. OF CONTACTS
59453-041110EF	4 CONTACTS
59453-051110EF	5 CONTACTS
59453-061110EF	6 CONTACTS
59453-071110EF	7 CONTACTS
59453-081110EF	8 CONTACTS

REVISIONS				
REV	DESCRIPTION	ECN	BY	DATE
A	RELEASED	J04-0259	M.K	Aug.10, '04
B	REVISED	J05-004	M.K	Jan.12, '05

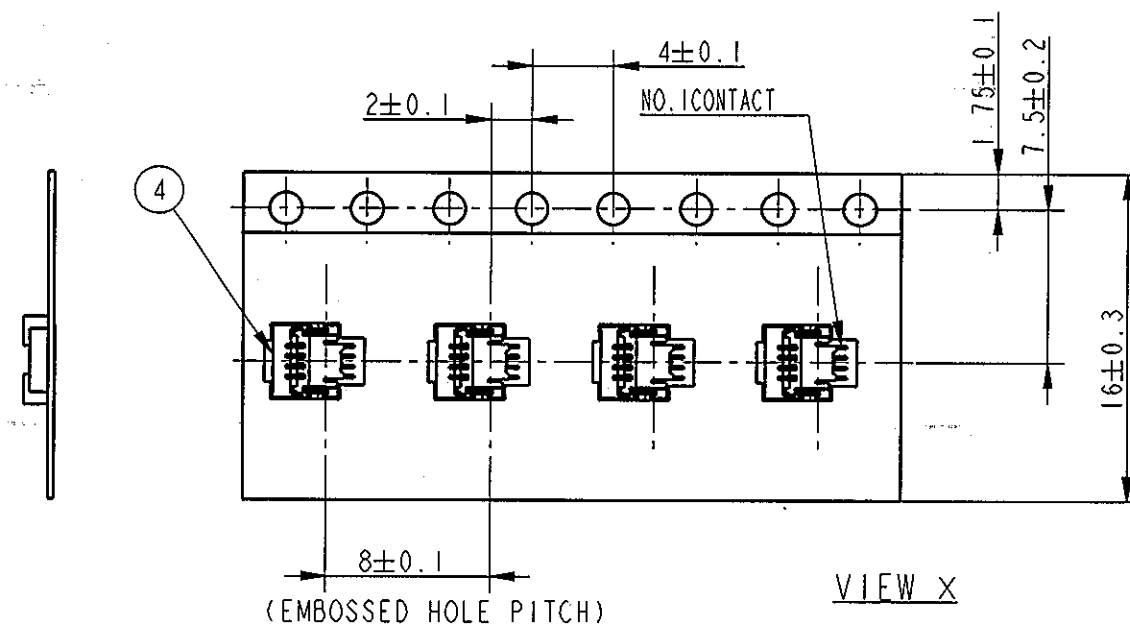


CONNECTOR PACKAGING STYLE

PT. NO	PARTS NAME	PRODUCT NO.	MATERIAL	QTY	NOTE
1	REEL	----	POLYSTYRENE	1	COLOR: WHITE
2	PLASTIC (EMBOSS) TAPE	----	PP OR PET	1	
3	COVER TAPE	----	POLYESTER	1	
4	CONNECTOR	59453-0_111F	SEE ATTACHED DWG	5 000	CONTACT AREA: GOLD TERMINAL: TIN ALLOY(LEAD FREE)

NOTES

- THIS IS PLASTIC TAPE PACKAGED CONNECTOR USED FOR FPC AND COPEES WITH AUTOMATIC MOUNTING.
- SEE JIS C 0806 (PACKING OF ELECTRONIC COMPONENTS ON CONTINUOUS TAPES (SURFACE MOUNTING DEVICES)) FOR SHAPE AND DIMENSIONS OF PLASTIC (EMBOSS) TAPE AND REEL



VIEW X

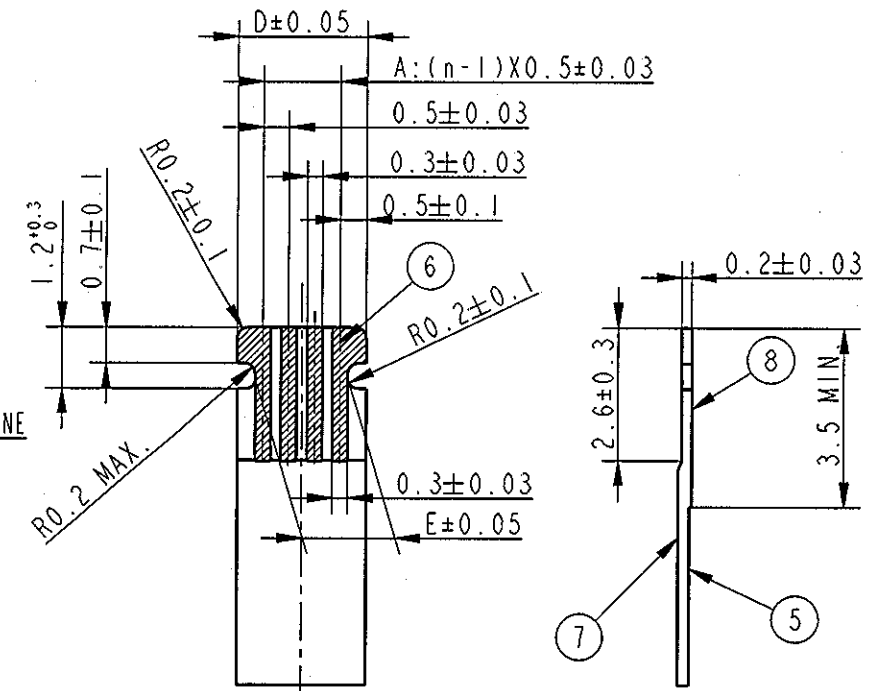
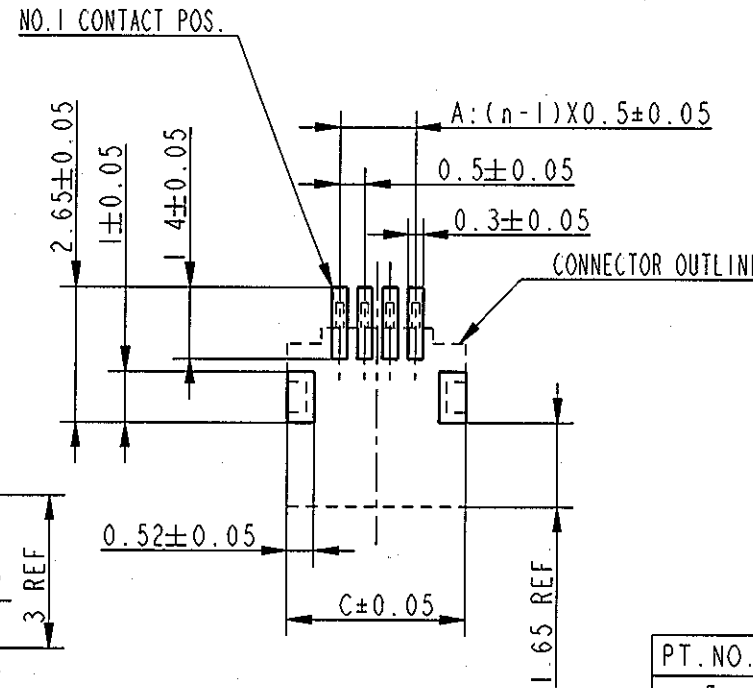
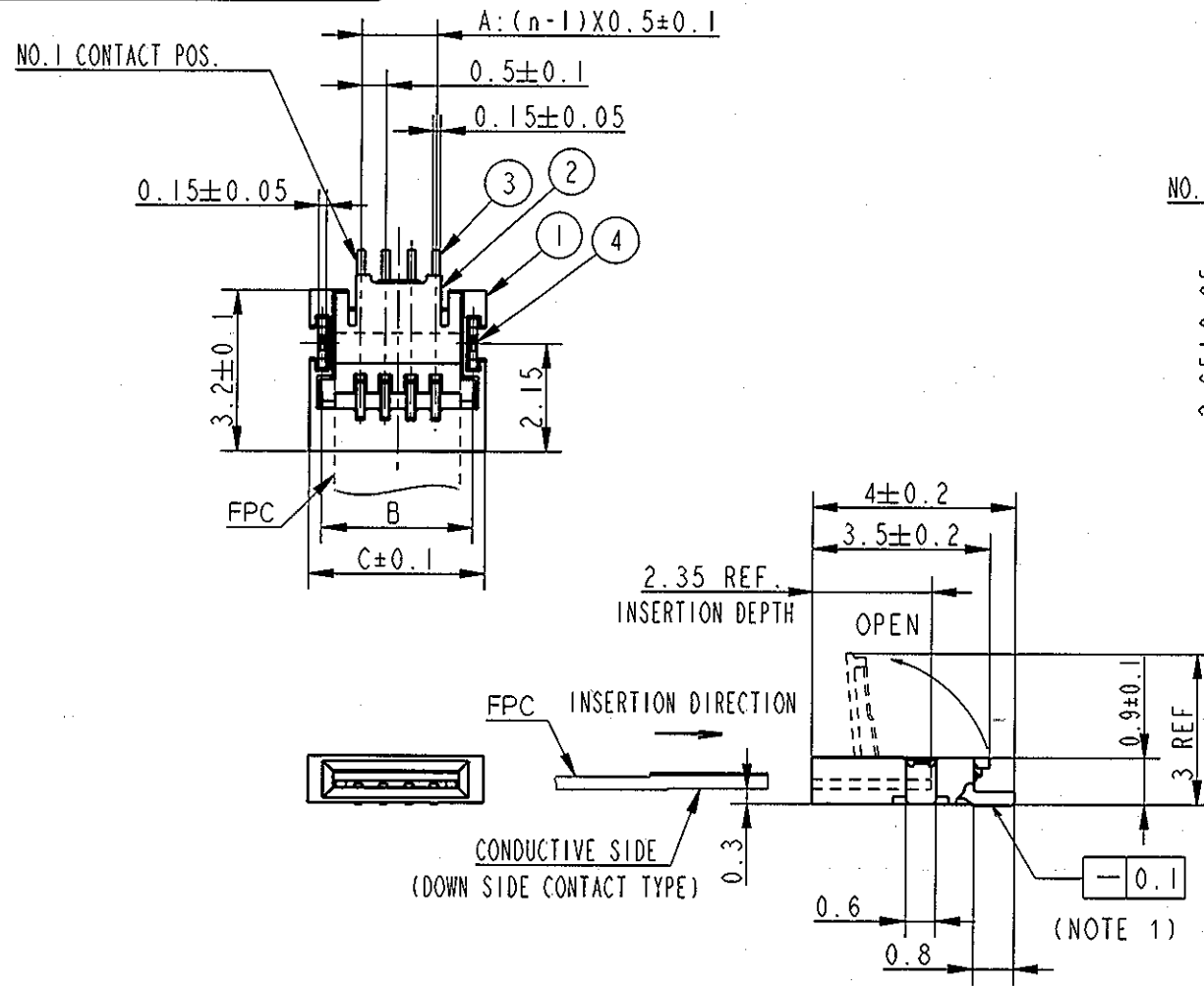
SHEET INDEX	ISSUE	B	B												
	SH NO.	1	2												
TOLERANCES UNLESS OTHERWISE SPECIFIED			MAT			DR		DATE		CUSTOMER COPY		TITLE			
SEE NOTE			SEE NOTE			m.koga		Jan 12 '05		[Symbol]		PLASTIC TAPE PACKAGED 0.5mm PITCH FPC CONNECTOR(DOWNSIDE CONTACT TYPE)			
LINEAR			FINISH			CHK		1/12/05		INVD ANGLE PROJ		PRODUCT FAMILY		CODE	
ANGLES			—			APPD		1/12/05		UNIT		58GF		JP	
										SCALE		DWG. NO.		REV SHEET	
										C		59453		B 1 OF	

PRODUCT NO.	NO. OF CONTACTS
59453-04111F	4 CONTACTS
59453-05111F	5 CONTACTS
59453-06111F	6 CONTACTS
59453-07111F	7 CONTACTS
59453-08111F	8 CONTACTS

REVISIONS				
REV	DESCRIPTION	ECN	BY	DATE
A	RELEASED	J04-0259	M. K	Aug. 10, '04
B	REVISED	J05-004	M. K	Jan. 12, '05

RECOMMENDED PC BOARD LAYOUT
(COMPONENT SIDE)

RECOMMENDED FPC



PT. NO.	PARTS NAME	MATERIAL	NOTE
5	BASE FILM	POLYIMIDE	
6	CONDUCTOR	COPPER FOIL (PLATING : GOLD 0.1μm MIN.)	
7	OVERLAY	POLYIMIDE	
8	SUPPORTING TAPE	POLYIMIDE	

NOTE: Adhesive method of supporting tape shall be heat crimping method and thermosetting adhesive shall be used

PT. NO.	PARTS NAME	MATERIAL	Q'TY	NOTE
1	HOUSING	THERMOPLASTIC RESIN (UL94V-0)	1	COLOR: BLACK
2	ACTUATOR	THERMOPLASTIC RESIN (UL94V-0)	1	COLOR: BLACK
3	CONTACT	COPPER ALLOY	n	PLATING: CONTACT AREA: GOLD OVER NICKEL TERMINAL: TIN ALLOY (LEAD FREE)
4	FIXING TAB	BRASS	2	PLATING: TIN ALLOY (LEAD FREE)

n=NO. OF CONTACTS

NOTE
1 COPLANARITY FOR CONTACT TERMINAL AND FIXING TAB MUST BE WITHIN 0.1mm

PRODUCT NO. AND DIMENSIONS

PRODUCT NO	DIMENSIONS				
	A	B	C	D	E
59453-04111F(4 CONTACTS)	1.5	3.0	3.5	2.5	1.8
59453-05111F(5 CONTACTS)	2.0	3.5	4.0	3.0	2.3
59453-06111F(6 CONTACTS)	2.5	4.0	4.5	3.5	2.8
59453-07111F(7 CONTACTS)	3.0	4.5	5.0	4.0	3.3
59453-08111F(8 CONTACTS)	3.5	5.0	5.5	4.5	3.8

SHEET INDEX	ISSUE		MAT	DR	DATE	CUSTOMER COPY	TITLE
	SH NO.						
			SEE NOTE	m. koga	Jun 2005		0.5mm PITCH FPC CONNECTOR DOWNSIDE CONTACT TYPE
				m. koga			PRODUCT FAMILY 58GF
							SCALE SIZE DWG. NO. 59453
							REV SHEET B 2 of 2