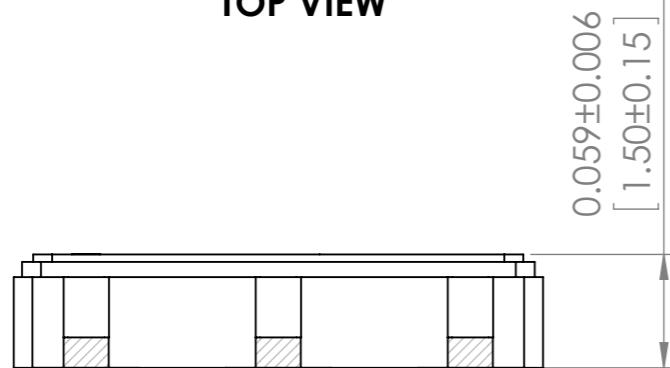
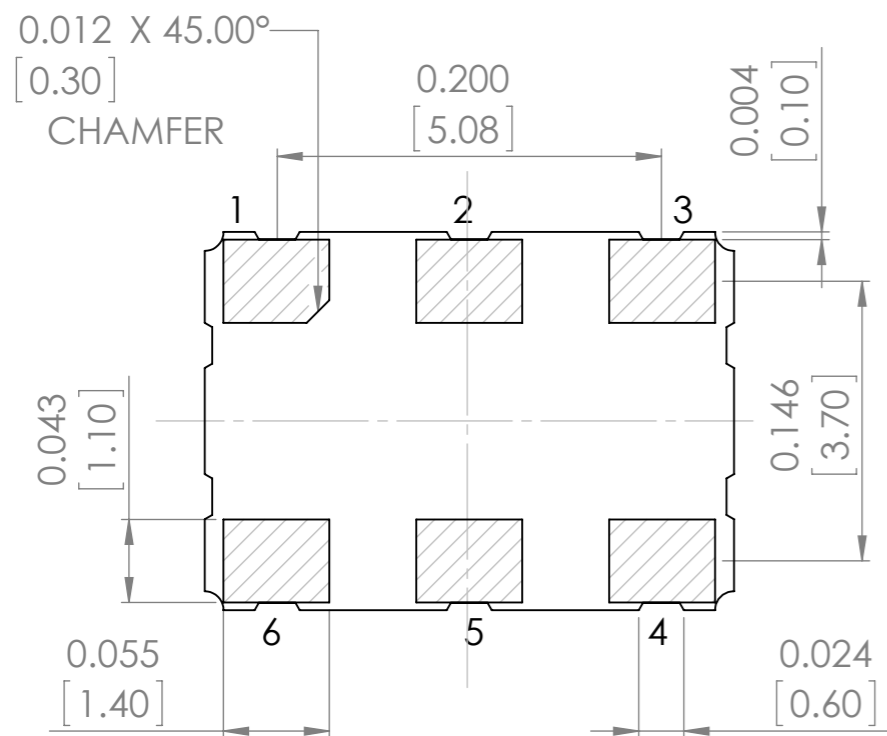


TOP VIEW



SIDE VIEW

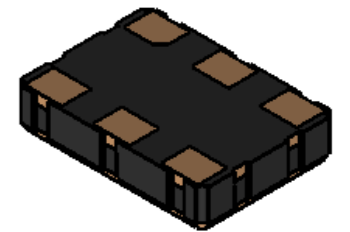
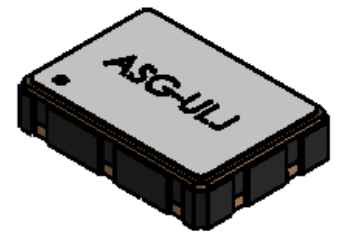
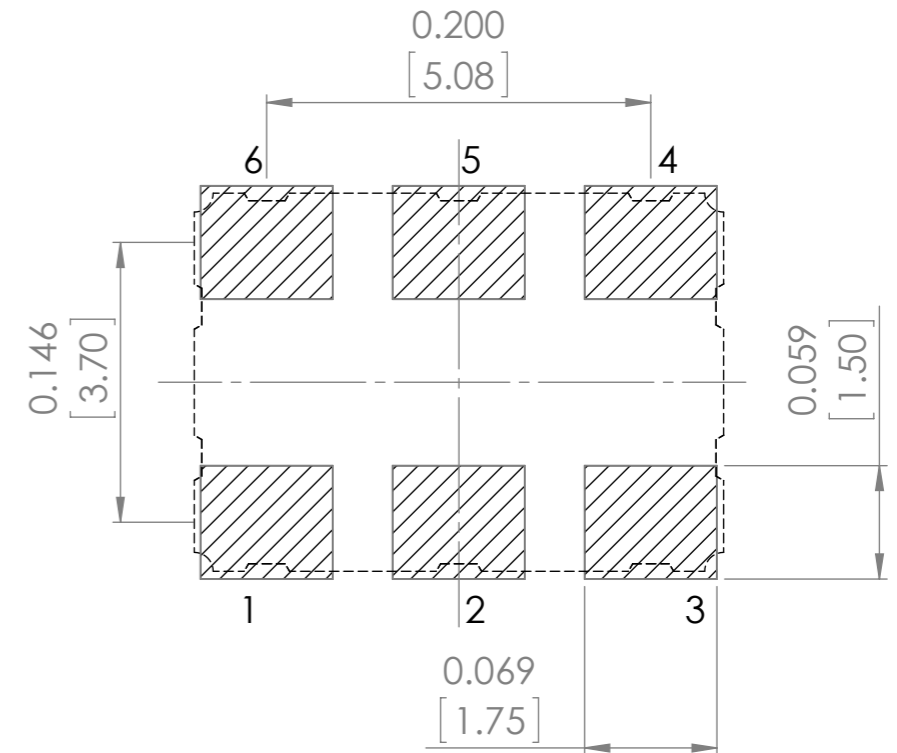



BOTTOM VIEW

| Abracon P/N | OE Pin # |
|---------------------------|----------|
| ASG-ULJ-156.250MHz-514613 | 1 |
| ASG-ULJ-190.000MHz-514594 | 1 |
| ASG-ULJ-156.250MHz-514644 | 1 |
| ASG-ULJ-705.800MHz-514676 | 2 |
| ASG-ULJ-100.000MHz-514895 | 1 |
| ASG-ULJ-114.285MHz-515136 | 1 |
| ASG-ULJ-156.250MHz-514804 | 1 |
| ASG-ULJ-125.000MHz-514807 | 1 |

| Pin # | Pin Description | |
|-------|--|----------------------|
| | LVC MOS | LVDS/LVPECL |
| 1 | Output Enable (OE) OR No Connect (N/C) | |
| 2 | No Connect (N/C) OR Output Enable (OE) | |
| 3 | GND | |
| 4 | RF Output | |
| 5 | No Connect (N/C) | Complimentary Output |
| 6 | Vdd | |

Recommended Land Pattern



| | | |
|---|--------------|----|
| DO NOT SCALE DRAWING | REVISION | - |
|  ABRACON LLC <small>The Power of Linking Together</small> | | |
| Apracon LLC, 2 Faraday, Suite#B Irvine, Ca. 92618 | | |
| TITLE: | Oscillator | |
| DWG NO. | ASG-ULJ | A3 |
| SCALE:3:1 | SHEET 1 OF 1 | |