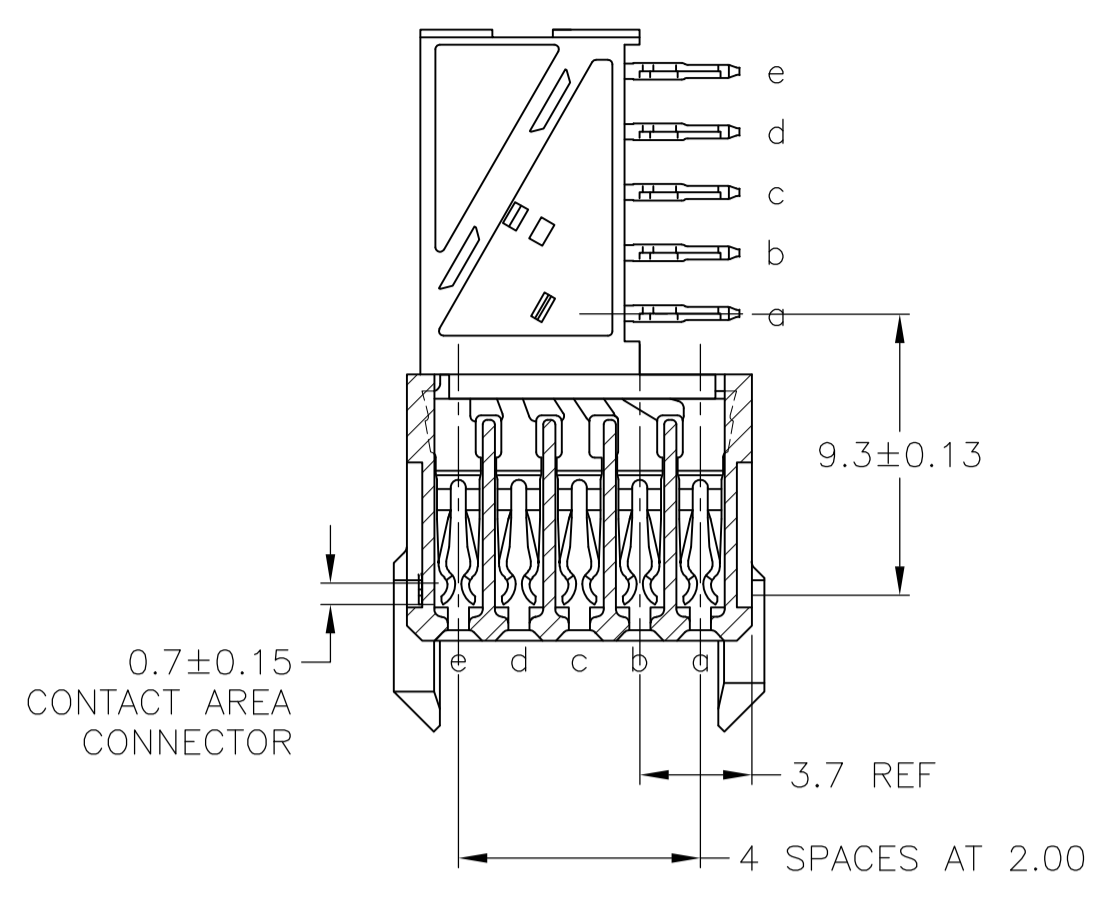
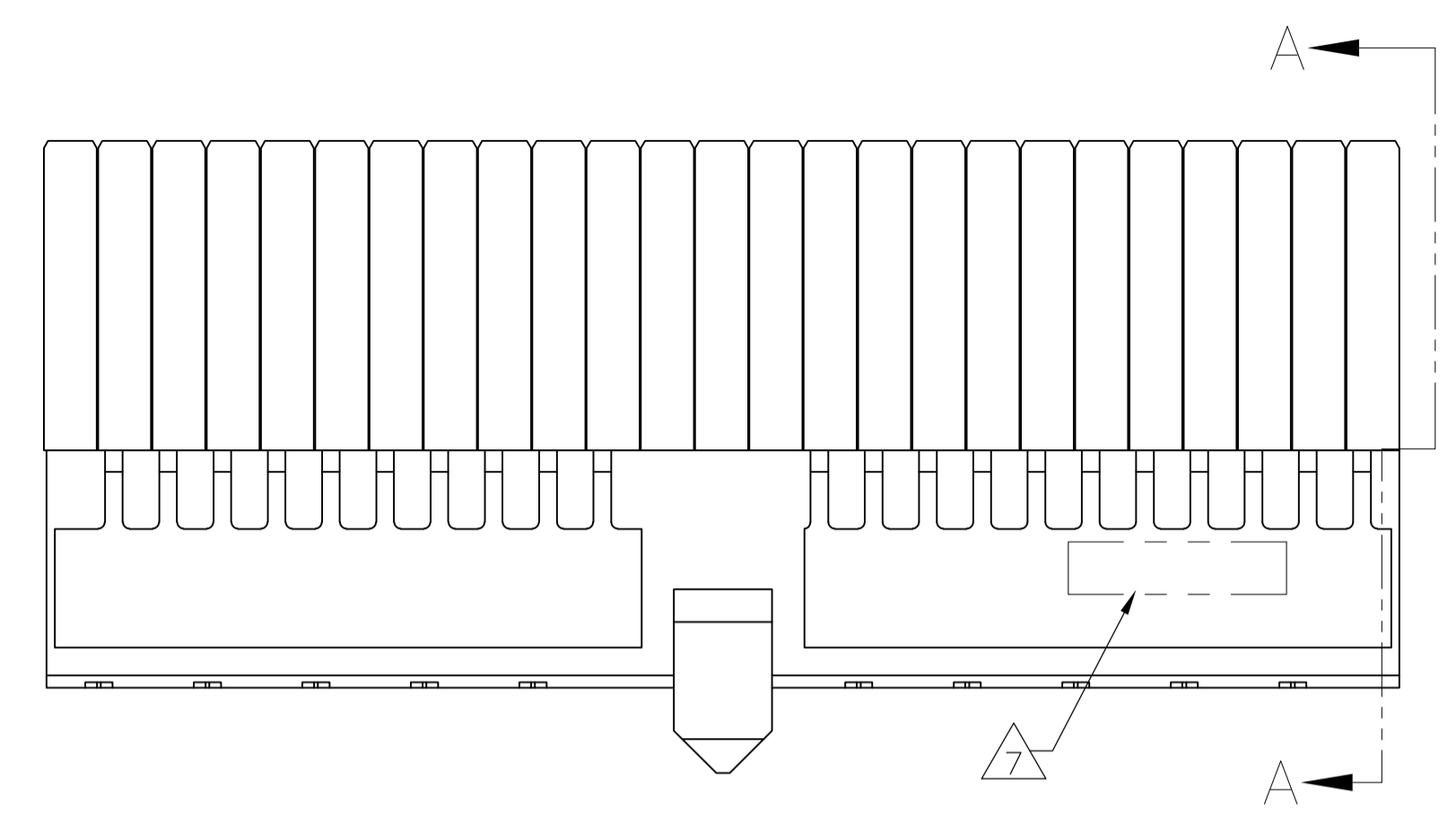
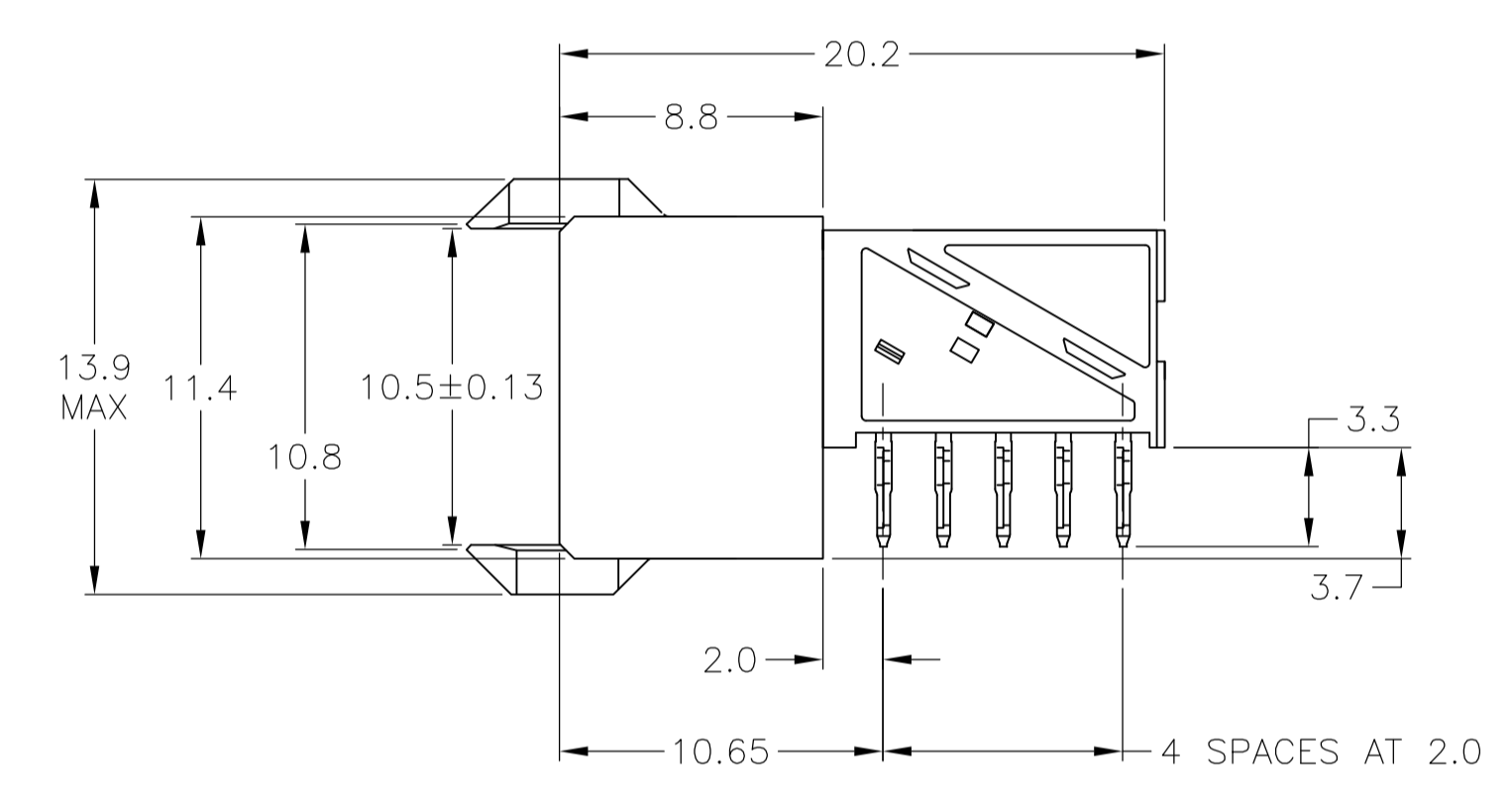
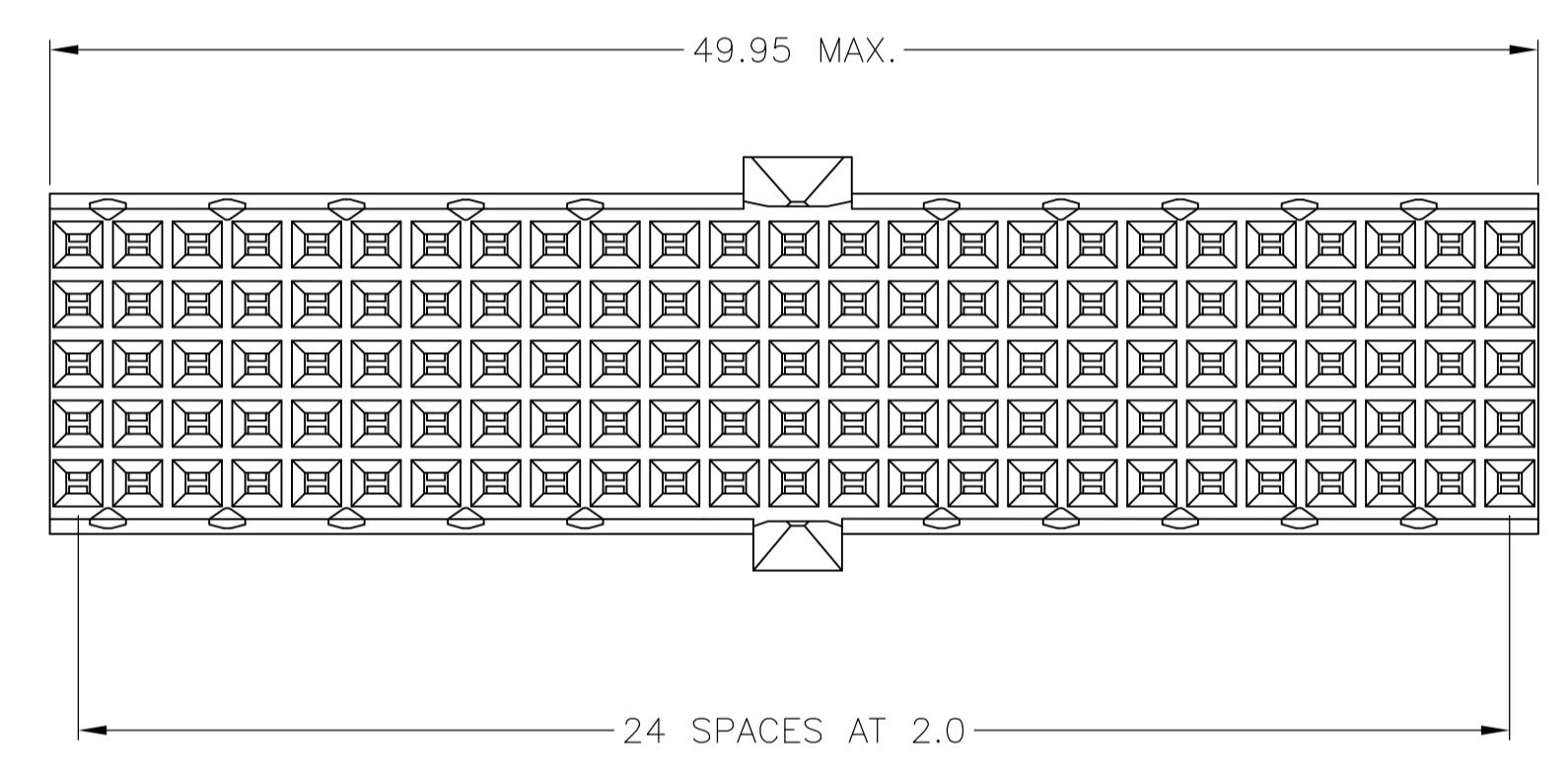


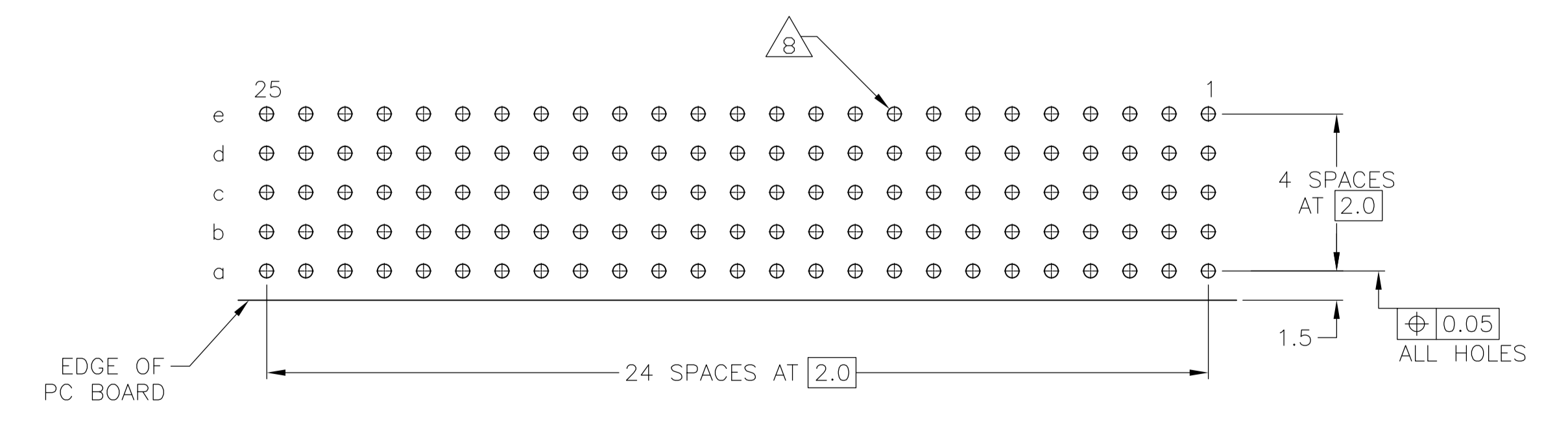
LOC		DIST		REVISIONS			
AD	00	REV	DATE	BY	CHK	APPV	
C		REV PER ECR-11-007552	11APR11	RC		CW	
D		ECO-11-024491	13DEC11	SY		MQW	



SECTION A-A



- 1 MATERIAL:
CONTACT: PHOSPHOR BRONZE.
HOUSING: GLASS-FILLED POLYESTER.
- 2 GENERAL PLATING SPECIFICATION: UNDERPLATING (ENTIRE CONTACT): 1.27µm MIN NICKEL AND ACTION PIN: 0.5µm MIN TIN.
FOR PLATING OF MATING SURFACES SEE APPLICABLE SPECIFICATION REFERENCE FOR EACH DASH NUMBER.
- 3 CONFORMS TO ALL TESTING ACCORDING TO IEC 61076-4-101 PERFORMANCE LEVEL 2.
- 4 CONFORMS TO ALL TESTING ACCORDING TO IEC 61076-4-101 PERFORMANCE LEVEL 1.
- 5 CONNECTOR TESTED AND QUALIFIED AGAINST TELCORDIA GR-1217-CORE QUALITY LEVEL 3, CENTRAL OFFICE APPLICATIONS.
- 6 CONNECTOR TESTED AND QUALIFIED AGAINST TELCORDIA GR-1217-CORE QUALITY LEVEL 3, UNCONTROLLED ENVIROMENT APPLICATIONS.
- 7 CONNECTOR MARKED WITH PART NUMBER AND DATE CODE.
ADDITIONAL CHARACTERS OR MARKINGS, AS WELL AS THE LOCATION OF THE MARKINGS, MAY BE ADDED FOR TRACEABILITY BASED UPON MANUFACTURERS DISCRETION.
- 8 HOLE PATTERN FOR FEMALE CONNECTOR TYPE A/B 125 PLATED-THROUGH HOLES AT 2x2mm SQUARE GRID.
- 9 CONNECTOR LUBRICATED WITH BELLCORE APPROVED LUBRICANT.
TECHNICAL REFERENCE TR-NWT-001217 ISSUE 1, SEPT 1992.
- 10 0.76µm MIN. GOLD PLATING AT MATING SURFACES.



RECOMMENDED PCB LAYOUT
(COMPONENT SIDE AS SHOWN)

PCB HOLE DIM ACTION PIN
FOR DETAILS SEE
APPLICATION SPECIFICATION

2	3	10	3-5646574-0
2	6	9	1-5646574-9
2	5	9	5646574-9
2	4	9	5646574-4
2	3	9	5646574-1
FINISH		PART NUMBER	

THIS DRAWING IS A CONTROLLED DOCUMENT.		DIN B. CARDO 11MAR05	TE Connectivity	
DIMENSIONS: mm		CHK G. SKIPPER 11MAR05		
TOLERANCES UNLESS OTHERWISE SPECIFIED:		APPV G. SKIPPER 11MAR05	NAME	
0-PLC ±		RECEPTACLE ASSEMBLY, Z-PACK		
1-PLC ±		Z-PACK 2mm HM, TYPE A/B		
2-PLC ±		PRODUCT SPEC		
3-PLC ±		108-19082		
4-PLC ±		APPLICATION SPEC		
ANGLES		114-19029		
MATERIAL		WEIGHT	SIZE	CAGE CODE
FINISH SEE TABLE		—	A1	00779
1		DRAWING NO		RESTRICTED TO
CUSTOMER DRAWING		SCALE 4:1		SHEET 1 of 1