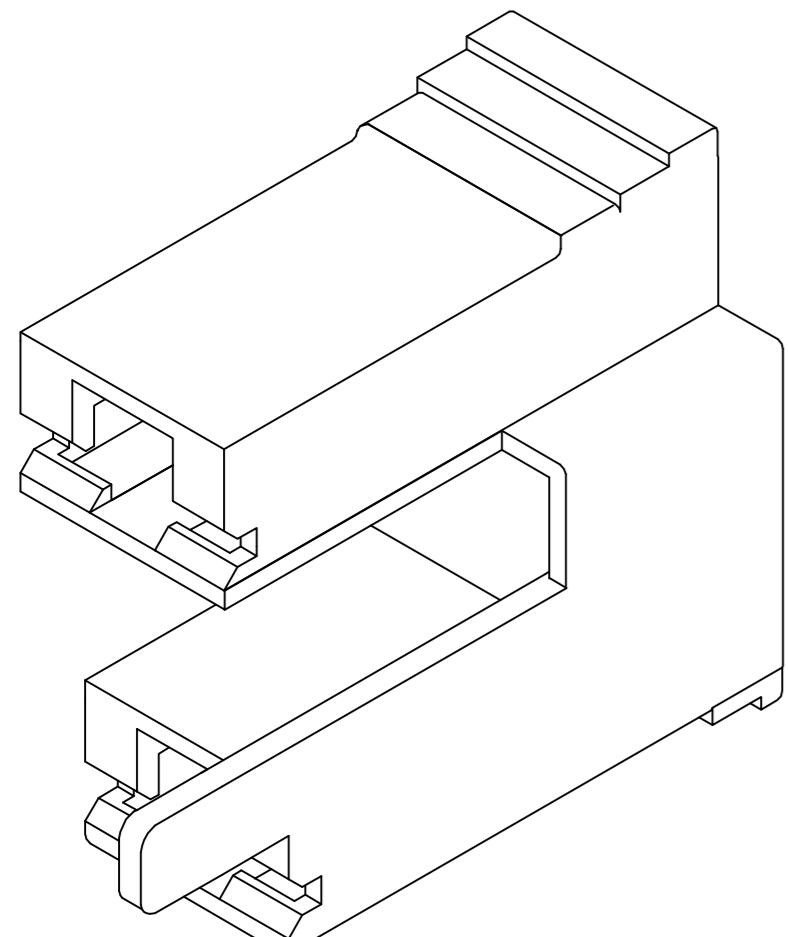
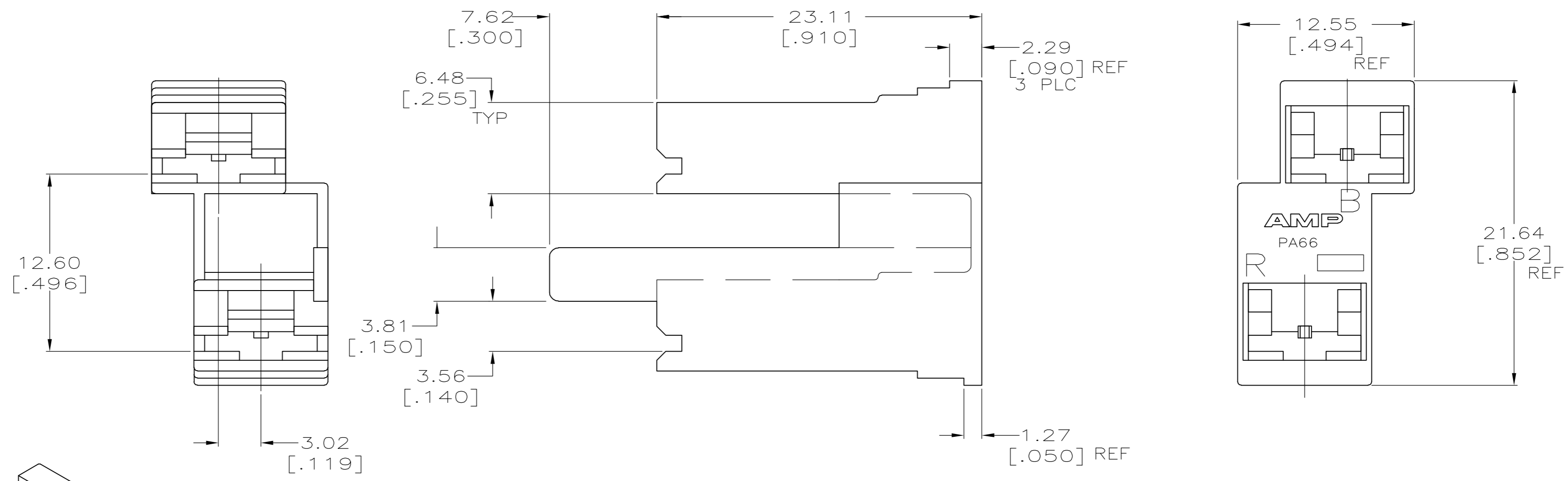
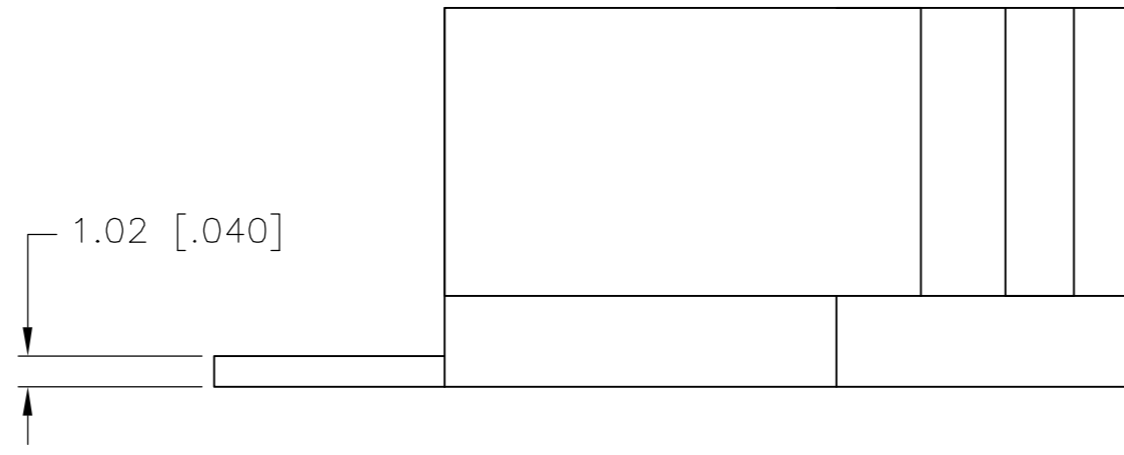


THIS DRAWING IS UNPUBLISHED. RELEASED FOR PUBLICATION
 © COPYRIGHT BY TYCO ELECTRONICS CORPORATION. ALL RIGHTS RESERVED.

LOC	DIST	REVISIONS			
P	LTR	DESCRIPTION	DATE	DWN	APVD
AF	50	S	REV PER ECR 07-007105	25APR07	JR PD

1 USES TERMINAL P/N 63757-1.



3D VIEW

521358-1
PART NO.

THIS DRAWING IS A CONTROLLED DOCUMENT.		DWN	JR RUTH	09OCT00	Tyco Electronics Corporation Harrisburg, Pa 17105-3608								
DIMENSIONS: mm [INCHES]		CHK	MS FEHER	09OCT00									
TOLERANCES UNLESS OTHERWISE SPECIFIED:		APVD	P DESANTIS	09OCT00									
0 PLC ± - 1 PLC ± - 2 PLC ± 0.25 [.010] 3 PLC ± - 4 PLC ± - ANGLES ± - FINISH		PRODUCT SPEC	NAME			HOUSING, RECEPT., FASTON, 6.35 [.250] SERIES							
MATERIAL	6/6 NYLON	FINISH	NATURAL	WEIGHT	-	SIZE	A2	CAGE CODE	00779	DRAWING NO	C=521358	RESTRICTED TO	-
CUSTOMER DRAWING		SCALE	4:1	SHEET	1 OF 1	REV	S						

521358