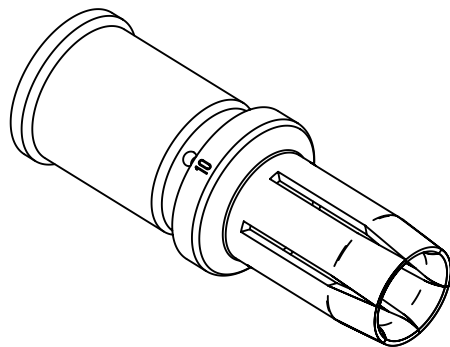
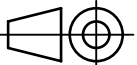



crimp zone acc.to DIN EN 46235; indicator 10  
 for stranded fine wire acc.to VDE 0295 class 5/ IEC 60228 class 5  
 wire gauge: 25qmm  
 stripping length: 15mm  
 surface: silver plated



 All Dimensions in mm Original Size DIN A4	Scale	Free size tol.			Ref.	
	2:1				Sub.	
 All rights reserved Department EL PD - DE	Created by	Inspected by	Standardisation	Date	State	
	MOELLERLI	RUETERA	SCHMIDTM	2012-08-02	Final Release	
HARTING Electric GmbH & Co. KG D-32339 Espelkamp	Title Han TC70 female contact 25qmm				Doc-Key / ECM-Nr. 100183947/UGD/004/A	
	Type	Number			Rev.	Page
	TB	09 11 000 6233			A	1/1