

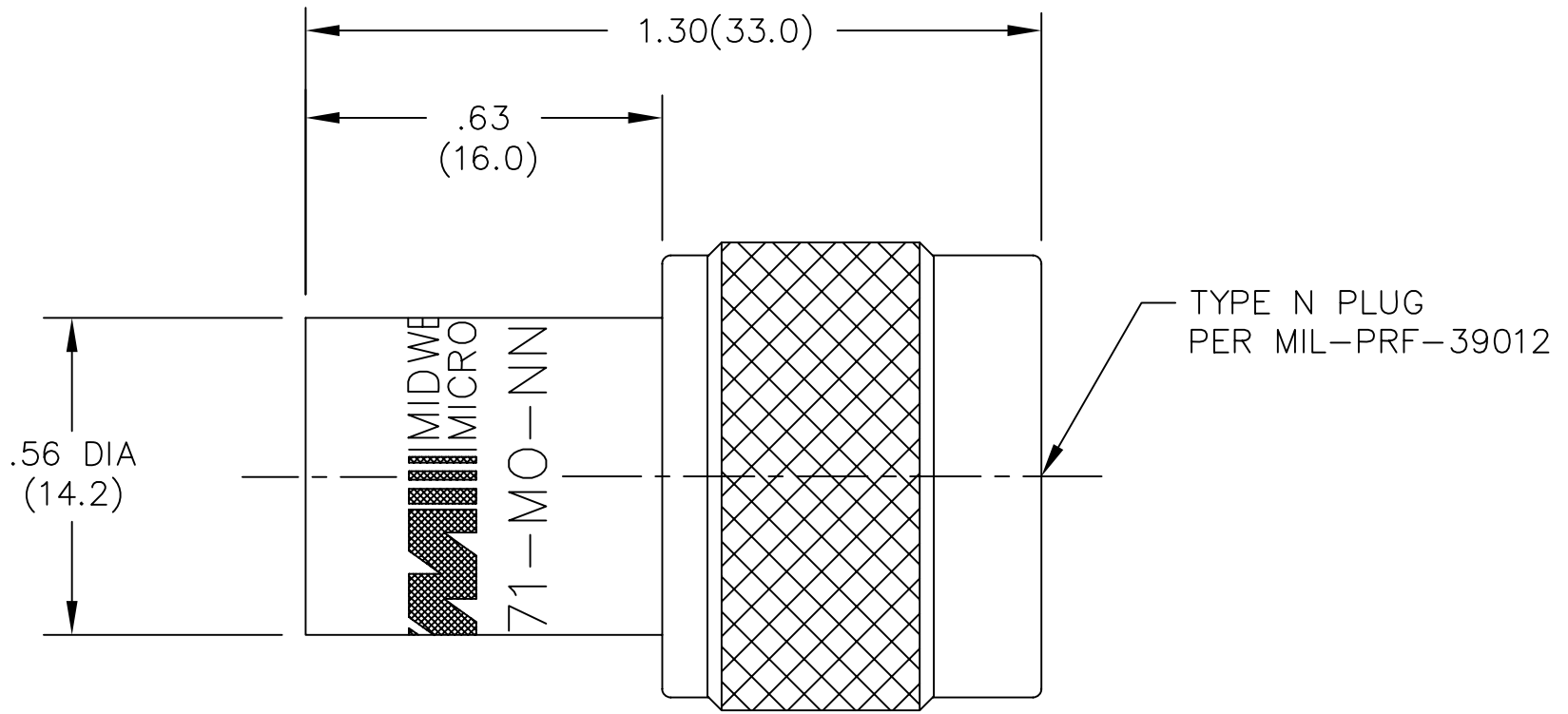
NOTES:

- 1.0 ELECTRICAL SPECIFICATIONS:
 - 1.1 FREQUENCY RANGE: DC to 4.0 GHz
 - 1.2 VSWR: 1.25:1 MAX.
 - 1.3 IMPEDANCE: 50 OHMS
 - 1.4 POWER: 2 WATTS AVG. AT +25°C
DERATED LINEARLY TO 0.5 WATTS AT +125°C
 - 1.5 PEAK POWER: 0.25 KILOWATTS (5 MICROSECOND PULSE WIDTH).
 - 1.6 OPERATING TEMP. RANGE: -54°C to +125°C

2.0 MARKING

2.1 MARK UNIT AS SHOWN:
(REF.: INK-02611-27-44)

3.0 DIMENSIONS IN PARENTHESIS ARE MILLIMETERS.



REV.	DESCRIPTION	DATE
-	RELEASED	8/12/93
-1	ADDED TITLEBLOCK	10/28/05

UNLESS OTHERWISE NOTED DIMENSIONS ARE IN INCHES AND TOLERANCES ARE:	FSCM NO. 34078		MIDWEST MICROWAVE	
	3 PLACE DECIMALS ±.005 2 PLACE DECIMALS ±.02 FRACTIONS ±1/64 PARALLELITY: T.I.R. _____ FLATNESS: T.I.R. _____ CONCENTRICITY: T.I.R. _____ ANGLES AND PERPENDICULARITY: ±1'		NOTICE: The information contained in this drawing is proprietary and must not be used without the permission of Midwest Microwave TITLE TERMINATION	
DRAWN/DATE A.BEATTY 8/4/93		ENG./DATE G.KOZAK 8/10/93		DRAWING NUMBER TRM-2071-MO-NNN-07
CHECKED/DATE M.HOLLMAN 8/6/93		APPROVED/DATE		SCALE: 3=1 SHEET 1 of 1