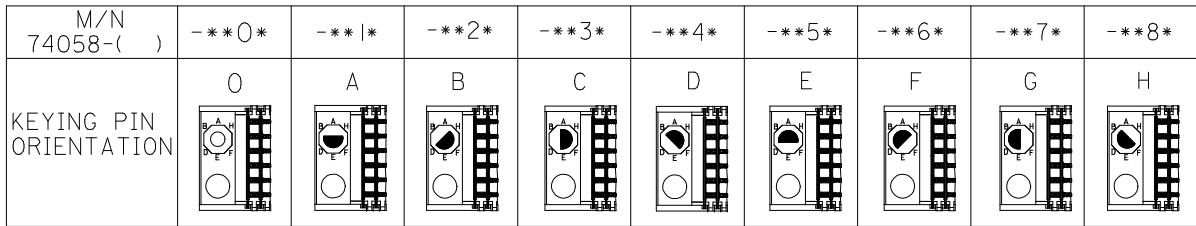


**NOTES:**

1. MATERIALS:  
HOUSING - LIQUID CRYSTAL POLYMER (LCP),  
GLASS-FILLED, UL 94V-0, COLOR: BLACK  
SIGNAL PIN & SHIELD - COPPER ALLOY
2. FINISHES:  
CONTACT AREA: SELECTIVE GOLD (Au)  
PCB TAILS: SELECTIVE MATTE TIN (Sn)  
NICKEL (Ni) OVERALL.
3. THIS PART CONFORMS TO MOLEX PRODUCT SPECIFICATION PS-74031-999
4. FOR MIXED CONTACT LENGTHS CONSULT MOLEX FOR AVAILABILITY
5. FOR SPECIFIC MATERIAL NUMBERS & MATING INFORMATION REFER TO SHEET 2
6. PACKAGE PER PK-74058-003
7. MARK PART WITH PART NUMBER & DATE CODE APPROXIMATELY WHERE SHOWN
8. MAPS (MOLEX ADVANCED PLATING SYSTEM).

THE PRIMARY CARTON WITH A LABEL STATING "ELV AND RoHS COMPLAINT" IS LEAD FREE. CARTONS WITHOUT THIS LABEL MAY CONTAIN LEAD.

<b>LEAD FREE CONVERSION</b> EC NO: UCP2013-0687 DRAWINGS: 2012/08/21 CHKD:MMWLF 2012/11/26 APPR:SMILLER 2012/12/14	QUALITY SYMBOLS	GENERAL TOLERANCES (UNLESS SPECIFIED)		DIMENSION STYLE	SCALE	DESIGN UNITS	THIRD ANGLE PROJECTION	
	▽=0	mm	INCH	MM ONLY	2.5:1	METRIC		
	▽=0	4 PLACES ±	±	DRAWN BY	DATE	TITLE		
	▽=0	3 PLACES ±	±	JMELTON	2010/05/19	VHDM 6 ROW SIGNAL END BACKPLANE SALES ASSEMBLY		
		2 PLACES ±	±	CHECKED BY	DATE			
		1 PLACE ±	±	SDANNELLEY	2010/05/19			
		0 PLACE ±	±	APPROVED BY	DATE	<b>molex</b>		
				SMILLER	2010/07/14	DOCUMENT NO. SD-74058-002		
		ANGULAR ±1/2°		MATERIAL NO.		SHEET NO.		
		DRAFT WHERE APPLICABLE MUST REMAIN WITHIN DIMENSIONS		SEE SHEET 2		1 OF 2		
		THIS DRAWING CONTAINS INFORMATION THAT IS PROPRIETARY TO MOLEX INCORPORATED AND SHOULD NOT BE USED WITHOUT WRITTEN PERMISSION						

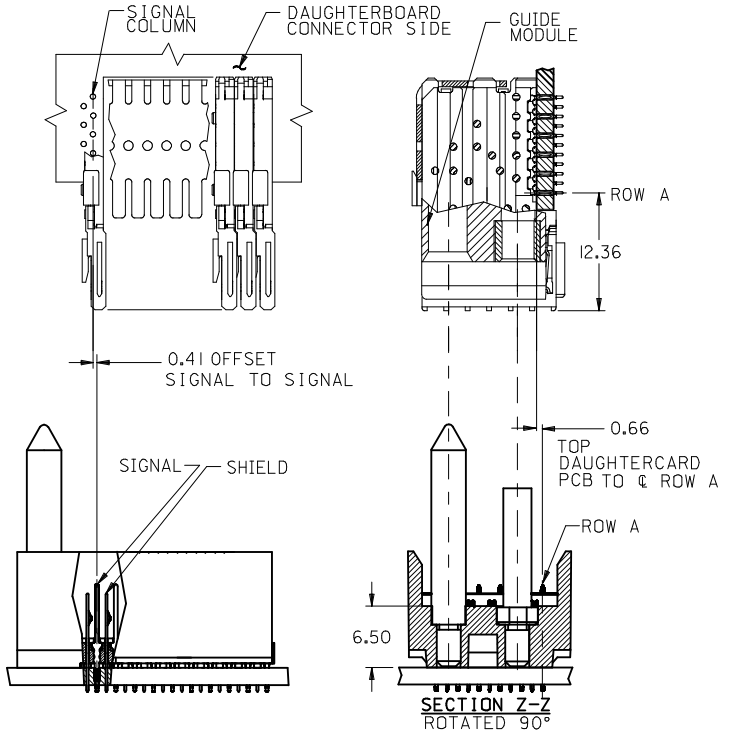


74058 \* \* \* \*

CONTACT LOAD (PIN LENGTH)  
 1 = 4.75  
 2 = 4.25  
 3 = 4.25  
 4 = 5.15

NUMBER OF COLUMNS/PLATING  
 10 = 10 COLUMN MATTE TIN (FORMERLY TIN/LEAD)  
 25 = 25 COLUMN MATTE TIN (FORMERLY TIN/LEAD)  
 60 = 10 COLUMN MATTE TIN (MAPS)  
 75 = 25 COLUMN MATTE TIN (MAPS)  
 90 = 10 COLUMN MATTE TIN  
 85 = 25 COLUMN MATTE TIN

PART NUMBER	COLUMN	NUMBER OF SIGNAL PIN	NUMBER OF SHIELD	A	B	M	GOLD THICKNESS MICROMETER	TIN THICKNESS MICROMETER
74058-60*1	10	60	10	27.00	18.00	4.75	0.25 MAPS	0.76-1.52
74058-*0*1							0.76	
74058-*0*6							1.27	
74058-75*1	25	150	25	57.00	48.00	4.75	0.25 MAPS	
74058-*5*1							0.76	
74058-*5*6							1.27	
74058-60*2	10	60	10	27.00	18.00	6.25	0.25 MAPS	
74058-*0*2							0.76	
74058-*0*7							1.27	
74058-75*2	25	150	25	57.00	48.00	6.25	0.25 MAPS	
74058-*5*2							0.76	
74058-*5*7							1.27	
74058-60*3	10	60	10	27.00	18.00	4.25	0.25 MAPS	
74058-*0*3							0.76	
74058-*0*8							1.27	
74058-75*3	25	150	25	57.00	48.00	4.25	0.25 MAPS	
74058-*5*3							0.76	
74058-*5*8							1.27	
74058-60*4	10	60	10	27.00	18.00	5.15	0.25 MAPS	
74058-*0*4							0.76	
74058-*0*9							1.27	
74058-75*4	25	150	25	57.00	48.00	5.15	0.25 MAPS	
74058-*5*4							0.76	
74058-*5*9							1.27	



SEE SHEET 1 EC NO: UCP2013-0687 DRAWINGS 2012/08/21 CHKD:HWOLFE 2012/11/26 APPR:SMILLER 2012/12/14 REV M	QUALITY SYMBOLS	GENERAL TOLERANCES (UNLESS SPECIFIED)	DIMENSION STYLE MM ONLY	SCALE 2.5:1	DESIGN UNITS METRIC	THIRD ANGLE PROJECTION
	▽=0	4 PLACES ± --- INCH	DRAWN BY DATE JMELTON 2010/05/19	TITLE <b>VHM 6 ROW          SIGNAL END BACKPLANE          SALES ASSEMBLY</b> <b>molex</b> DOCUMENT NO. SD-74058-002 SHEET NO. 2 OF 2		
	▽=0	3 PLACES ± --- INCH	CHECKED BY DATE SDANNELLEY 2010/05/19			
	▽=0	2 PLACES ± --- INCH	APPROVED BY DATE SMILLER 2010/07/14			
▽=0	1 PLACE ± --- INCH	MATERIAL NO.				
		0 PLACE ± --- INCH	ANGULAR ±1/2°	DRAFT WHERE APPLICABLE MUST REMAIN WITHIN DIMENSIONS		
			SIZE C	THIS DRAWING CONTAINS INFORMATION THAT IS PROPRIETARY TO MOLEX INCORPORATED AND SHOULD NOT BE USED WITHOUT WRITTEN PERMISSION		