

# Test Procedure for the NCP1028LEDG Driver Evaluation Board

ON Semiconductor®



12/4/2007

## Introduction:

The NCP1028LED Evaluation Board is a universal input, off-line power supply intended to provide a constant current output with a maximum “header” voltage for powering strings of LEDs. The output has a constant current, constant voltage profile that depends on the circuit configuration. The evaluation board is configured to provide a nominal current of 700 mA with an open LED clamp voltage of 18V

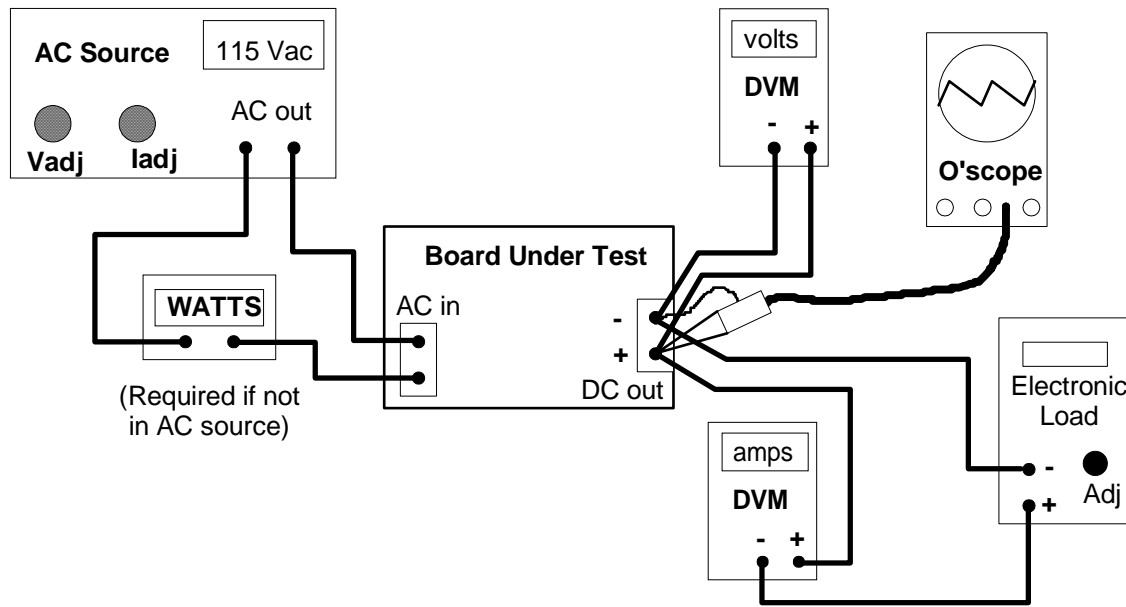
The switching topology is a discontinuous flyback converter operating at 100 kHz. The output connector of the demo supply is a Tyco type connector and will either require a mating connector or the load should be “hard wired” to pad E1 (+) and E2 (-) on the pc board.

## Test Equipment Required:

1. Adjustable, isolated AC power source capable of zero to 265 Vac output and up to 500 mA. AC source should have the capability of measuring output power in watts. If not, an AC line analyzer or AC wattmeter should be used. Wattmeter should be capable of reading down to 50 mW (for standby power measurements.)
2. Digital volt/amp meters to measure output current and voltage to the electronic load.
3. A variable electronic load or rheostat capable of up to a 5 amp load at 24 volts. If an electronic load is used it is preferable to have it operate in a constant resistance load mode.
4. Oscilloscope with probe to monitor output ripple on the demo converter.

## Setup Procedure:

Set the equipment as shown in the diagram on the next page so that the output voltage and current to the demo board can be measured. The oscilloscope should be set up so that the output ripple can be monitored.



### Test Procedure:

1. Switch the electronic load on, set to constant resistance mode and the load adjust to zero load; switch all of the digital meters on (assuming they are wired properly for voltage and current sensing); turn the oscilloscope on with sensing in AC mode and 200 mV per division vertical and a sweep rate of 5 uS per division. Connect the scope probe to the demo board's output terminals.
2. With the AC source OFF, set the current limit on the AC source to 500 mA and the output voltage to 115 Vac.
3. Turn on the AC source and the power supply demo board output voltage should be the rated output voltage of 18 +1 volt/- 0.5 volts on the DVM.
4. Adjust the electronic load from no load slowly up to the rated output current. The output voltage should remain within +/- 10% of the rated value. The output ripple on the oscilloscope should be less than 500 mV peak-to-peak.
5. Reduce the AC input to 90 Vac and make sure the conditions of test 4 above still hold.
6. Return the input to 115 Vac and continue to increase the load slowly and the current should remain constant within +/- 10% of the rated output current level as voltage collapses (constant current output.) The 1028 should be able to go all the way down to a couple of volts or less under heavy overload.
7. Set the electronic load to back to zero and the output voltage should return to the rated level.
8. Check the AC input power. It should be below 300 mW.
9. Adjust the AC input to 230 Vac and repeat tests (3) through (7).
10. Set the electronic load to zero and switch the AC source off.

End of Test.