

CUSTOMER PRINT

PART NUMBER: CARA16280SXXX90

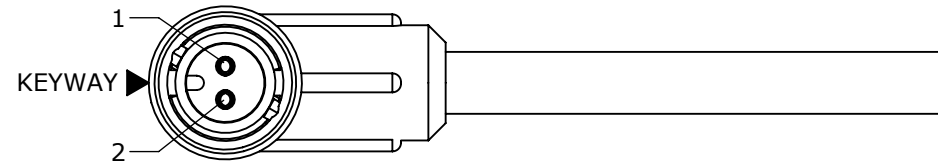
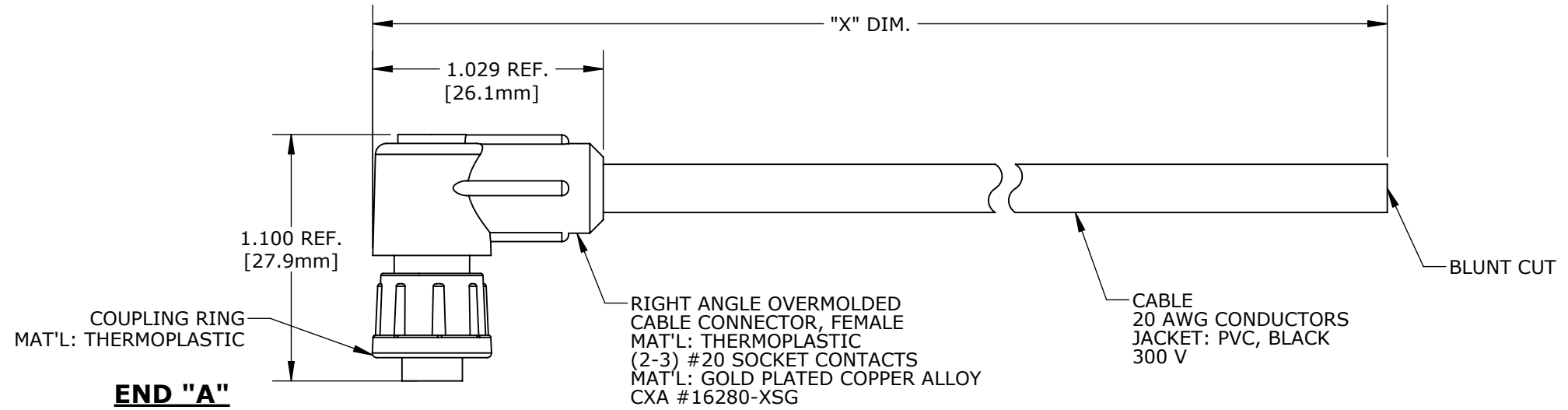
**NOTES:**

1. FINISHED CABLE ASSEMBLY TO BE COILED
2. OVERMOLD BOOT MATERIAL: PVC, BLACK
3. ELECTRICAL TEST: 100% CONTINUITY

ASS'Y P/N	NO. OF POSITION	"X" DIM.
CARA162802S07990	2 POS.	6 FT. 7 IN. ± 2 IN. [2M]
CARA162803S07990	3 POS.	
CARA16280SXXX90		

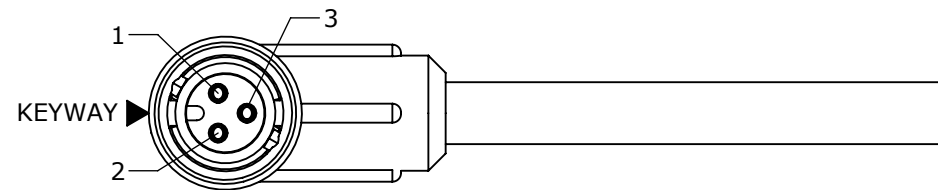
CABLE LENGTH IN "INCHES"

NO OF POSITIONS



**FACE VIEW**

P/N: CARA162802SXXX90



**FACE VIEW**

P/N: CARA162803SXXX90

DIMENSIONS IN BRACKET [ ] ARE METRIC.

**CUSTOMER APPROVAL**

THIS DOCUMENT CONTAINS CONFIDENTIAL INFORMATION PROPRIETARY TO CONXALL CORPORATION. ANY REPRODUCTION, DISCLOSURE, OR USE OF THIS DOCUMENT /INFORMATION IS EXPRESSLY PROHIBITED UNLESS AUTHORIZED IN WRITING BY CONXALL CORPORATION.

APPROVED BY: \_\_\_\_\_

DATE: \_\_\_\_\_

**RoHS COMPLIANT**

ASSY P/N	CABLE	COLOR CODE END "A"		
CARA162802SXXX90	2/20 AWG O.D. 0.215 REF	COLOR CODE		
		POS. 1	POS. 2	
		BLK	WHT	
CARA162803SXXX90	3/20 AWG O.D. 0.220 REF	WIRE COLOR CODE		
		POS. 1	POS. 2	POS. 3
		BLK	WHT	GRN

REV.	INIT.	DATE	DESCRIPTION
A	AN	11-07-16	DRAWING CREATED PER DOR 16-7663JP
<small>ALL INFORMATION ILLUSTRATED IS THE PROPERTY OF "CONXALL CORPORATION." UNAUTHORIZED DUPLICATION OR DISTRIBUTION OF THIS DOCUMENT IS PROHIBITED.</small>			<small>ORIG. DRAWN BY: AN</small> <small>DATE: 11-07-16</small>
<small>ALL UNITS ARE IN FEET, INCHES, FRACTION OF INCHES AND DECIMALS.</small>			 <small>601 E. WILDWOOD VILLA PARK, IL 60181</small>
<small>APPROVED BY:</small> _____			<small>TITLE:</small> CABLE ASSEMBLY (2-3) #20 SOCKET CONTACTS MICRO-CON-X, R.ANGLE STANDARD PRODUCT
<small>SCALE: NTS</small> <small>SIZE: B</small> <small>SHEET: 1 OF 1</small>			<small>CUSTOMER:</small>
<small>FILE: CARA16280SXXX90</small> <small>DIRECTORY: SLW</small>			<small>PART NUMBER:</small> CARA16280SXXX90 <small>REV: A</small>