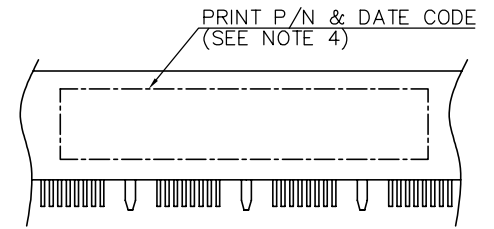
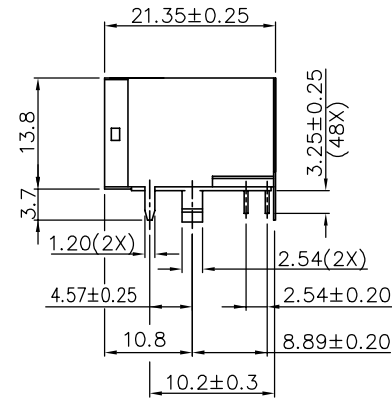
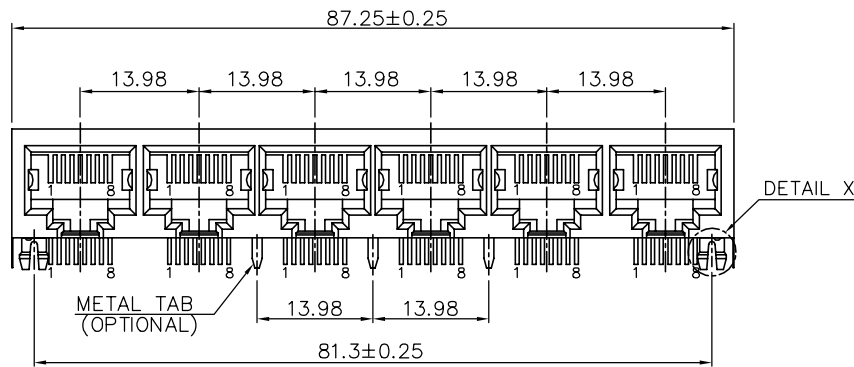
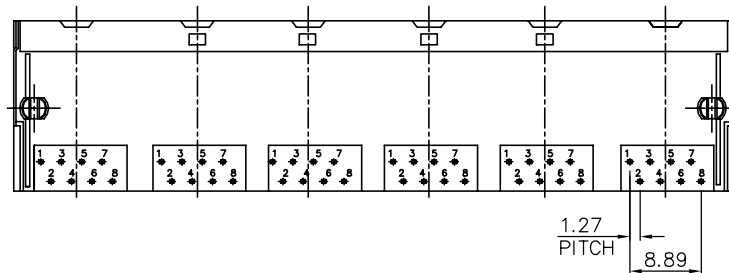


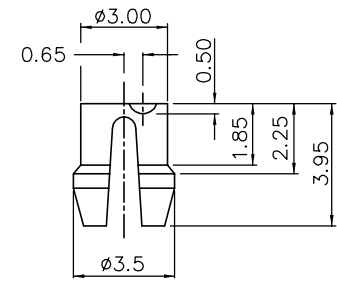
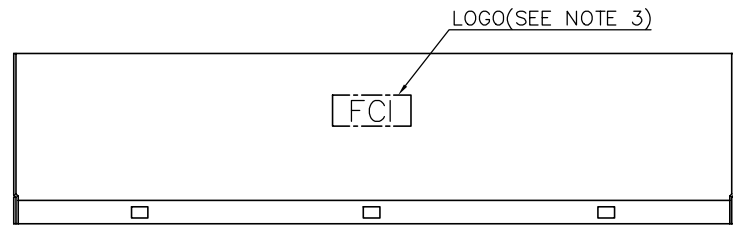
DETAIL X



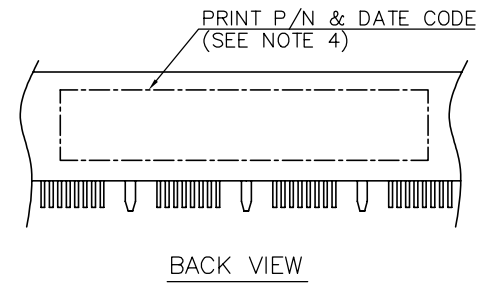
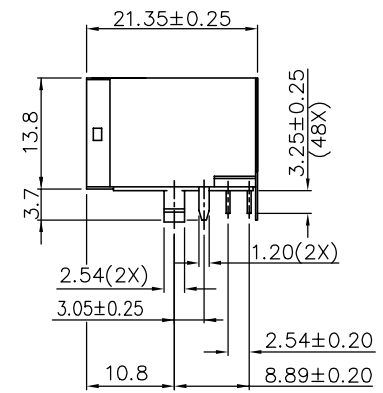
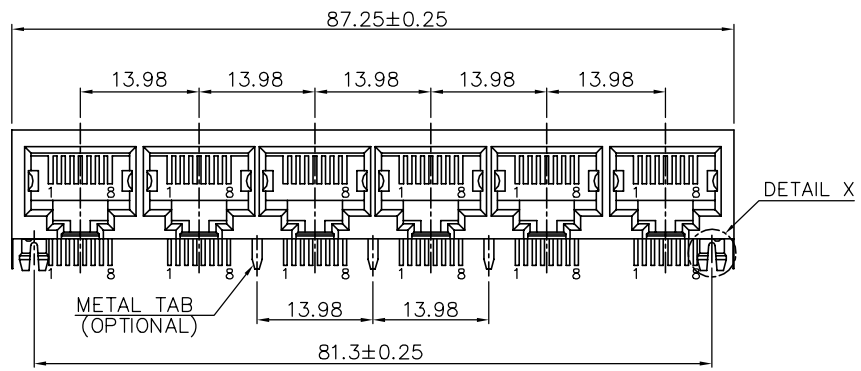
BACK VIEW



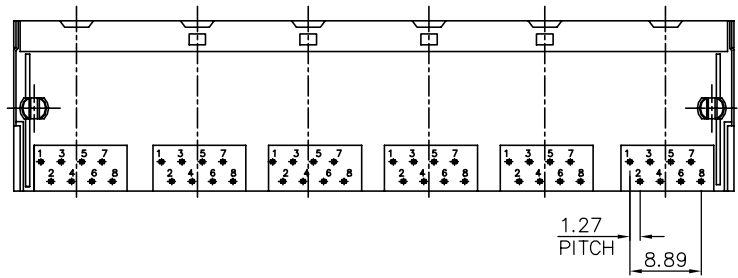
mat'l. code		surface ASME Y14.5 ✓		tolerance ASME Y14.5		projection MM [INCH]		product family GANGED MJACK		
ltr	ecn no	dr	date	tolerances unless otherwise specified		scale		title CAT 3 MULTI-PORTS TAB DOWN 1x6 WITH SHIELD, W/O LED		
A		WL	11/04/11	angles	X.X ± 0.25			sheet 1 of 4		
				radius	X.XX ± 0.13			size A4		
				X* ± 1*	X.XXX ± 0.05			dwg no 10118063		
				dr	WENDY CHEN	05/03/11			type CUSTOMER Drawing	
				enr	WENDY CHEN	05/03/11				
				chr	WENDY CHEN	05/03/11				
				appd	GARY HSIEH	05/03/11				
sheet index	revision sheet	A	A	A	A	A				
		1	2	3	4					



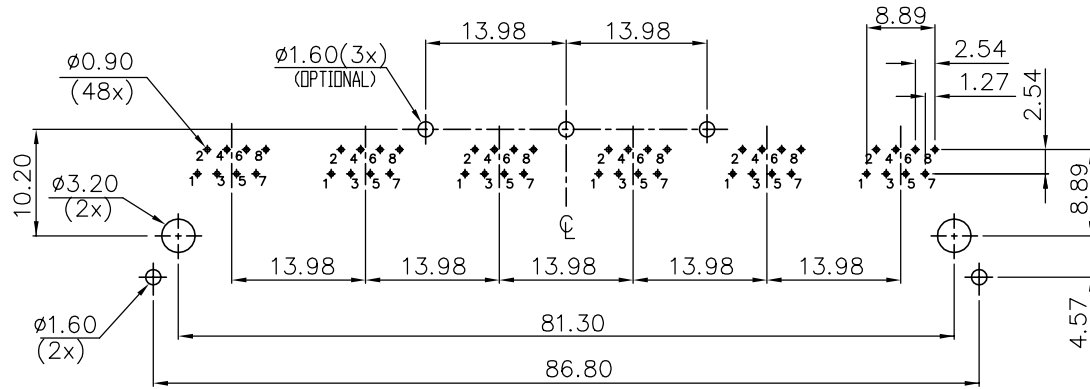
DETAIL X



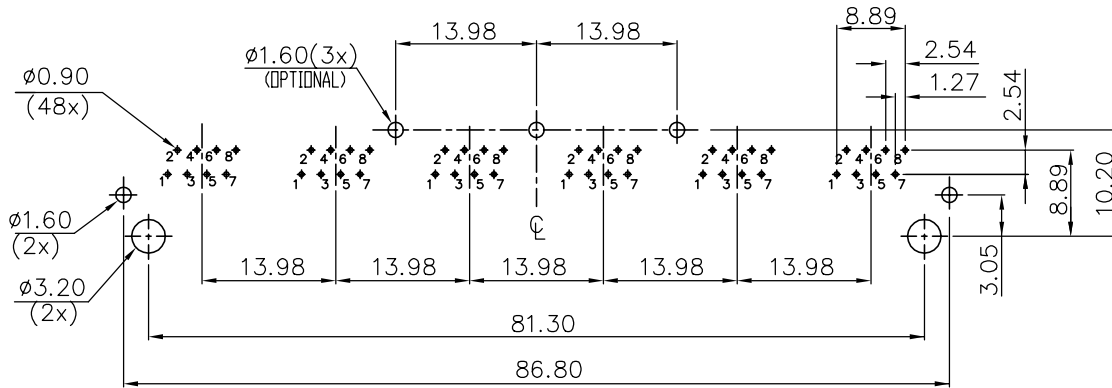
BACK VIEW



mat'l. code		surface ASME Y14.5	tolerance ASME Y14.5	projection MM [INCH]	product family GANGED MJACK
ltr	ecn no	dr	date	tolerances unless otherwise specified	title CAT 3 MULTI-PORTS TAB DOWN 1x6 WITH SHIELD, W/O LED
A				angles X.X±0.25 X.XX±0.13 X*±1*	scale
				dr WENDY CHEN 05/03/11	dwg no 10118063
				enr WENDY CHEN 05/03/11	sheet 2 of 4
				chr WENDY CHEN 05/03/11	size A4
				appd GARY HSIEH 05/03/11	type CUSTOMER Drawing
sheet index	revision sheet				



RECOMMENDED PCB LAYOUT  
 RECOMMENDED PCB THICKNESS: 1.6mm  
 TOLERANCE: ±0.05 (TOP VIEW)



RECOMMENDED PCB LAYOUT  
 RECOMMENDED PCB THICKNESS: 1.6mm  
 TOLERANCE: ±0.05 (TOP VIEW)

mat'l. code		surface ASME Y14.5 ✓	tolerance ASME Y14.5	projection [Symbol]	product family GANGED MJACK
ltr	ecn no	dr	date	tolerances unless otherwise specified	title CAT 3 MULTI-PORTS TAB DOWN 1x6 WITH SHIELD, W/O LED
A				angles X.X±0.25 X.XX±0.13 X*±1* X.XXX±0.05	
		dr	WENDY CHEN	05/03/11	dwg no 10118063
		enr	WENDY CHEN	05/03/11	
		chr	WENDY CHEN	05/03/11	sheet 3 of 4 size A4
		appd	GARY HSIEH	05/03/11	
sheet index		revision sheet			type CUSTOMER Drawing



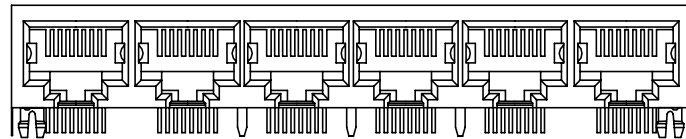
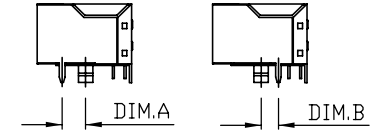
NOTE:

1. MATERIAL:  
HOUSING: HIGH TEMPERATURE THERMOPLASTIC, UL94V-0  
COLOR: BLACK.  
CONTACTS: COPPER ALLOY.  
SHIELD: COPPER ALLOY.
2. FINISH:  
CONTACTS: 50u" MIN. NICKEL UNDER PLATED OVER ALL.  
SELECTIVE GOLD PLATED ON CONTACT AREA,  
1u" GOLD PLATED ON SOLDER TAIL.  
SHIELD: 20u" MIN. NICKEL OVER ALL.
3. LASER MARK FCI LOGO ON THE TOP OF SHIELD.
4. "DATE CODE" DESCRIPTION:  

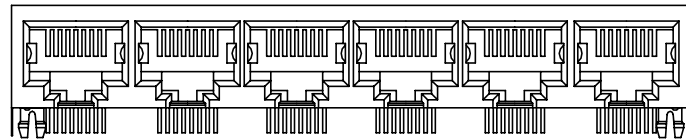
XX	XX	
WEEK		
YEAR (EX. : 10--2010)		
5. PRODUCT PERFORMANCE PER SPEC. : GS-12-0990.
6. PACKING SPEC. : GS-14-2170.
7. THIS PRODUCT MEETS THE EUROPEAN UNION DIRECTIVE AS DESCRIBED IN GS-22-008.
8. THE HOUSING WILL WITHSTAND EXPOSURE TO 260°C PEAK TEMPERATURE FOR 5 SECONDS IN A WAVE SOLDER APPLICATION WITH A CIRCUIT BOARD.

9. PART NUMBER DESCRIPTION:

- 10118063-X X X X X X X LF
- LEAD FREE
  - 0 : RESERVED (NOT USED)
  - PACKAGING  
1 : TRAY
  - OPTIONAL BACK SHIELD TAB  
0 : WITHOUT BACK SHIELD TAB  
3 : WITH 3 BACK SHIELD TABS
  - OPTIONAL RIGHT / LEFT SHIELD TAB  
1 : DIM.A=4.57  
5 : DIM.B=3.05
  - OPTIONAL PANEL GROUND  
0 : WITHOUT PANEL GROUND
  - LED COLOR  
0 : WITHOUT LED
  - CONTACT AREA PLATING  
1 : 15u" GOLD PLATING  
2 : 30u" GOLD PLATING  
5 : 1u" GOLD FLASH PLATING



10118063-XXXX3XXLF  
WITH 3 BACK SHIELD TABS



10118063-XXXX0XXLF  
WITHOUT BACK SHIELD TAB

mat'l. code		surface ASME Y14.5	tolerance ASME Y14.5	projection ⊕	product family GANGED MJACK
ltr	ecn no	dr	date	tolerances unless otherwise specified	title CAT 3 MULTI-PORTS TAB DOWN 1x6 WITH SHIELD, W/O LED
A				angles X.X±0.25 X.XX±0.13 X'±1"	
				scale MM [INCH]	dwg no 10118063 sheet 4 of 4 size A4
				dr WENDY CHEN 05/03/11 enr WENDY CHEN 05/03/11 chr WENDY CHEN 05/03/11 appd GARY HSIEH 05/03/11	
sheet index	revision sheet				type CUSTOMER Drawing