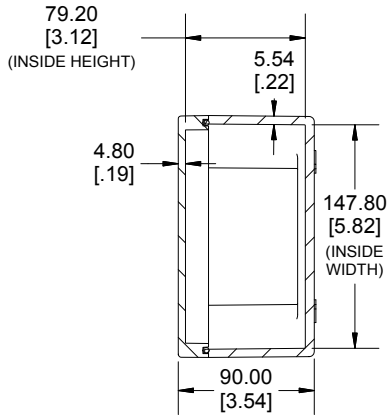
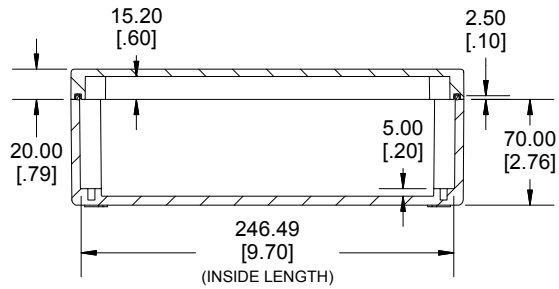


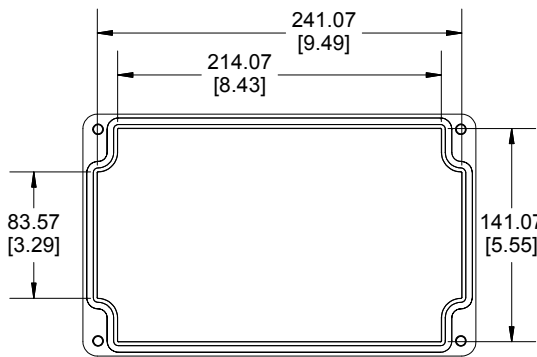
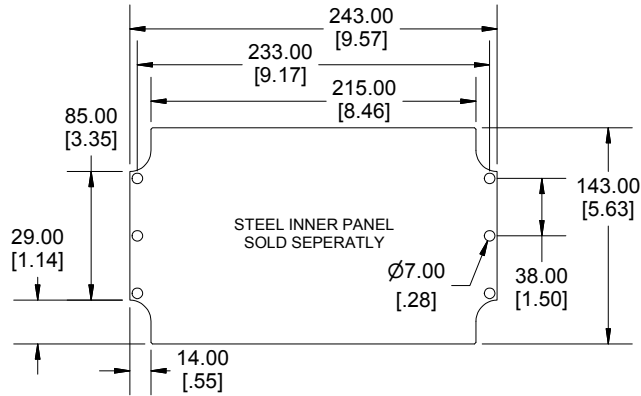
**TOP VIEW**



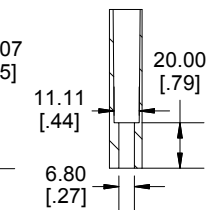
**SECTION B-B  
END VIEW**



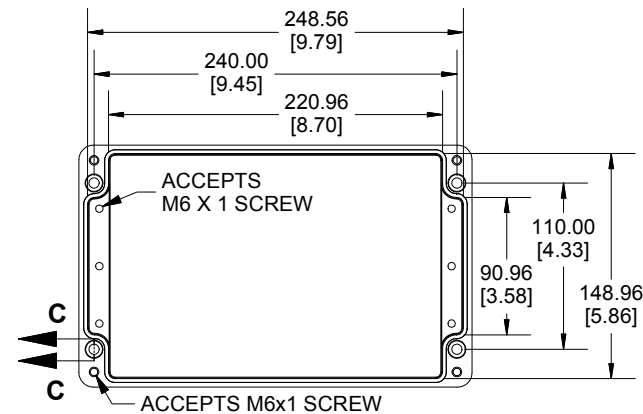
**SECTION A-A  
SIDE VIEW**



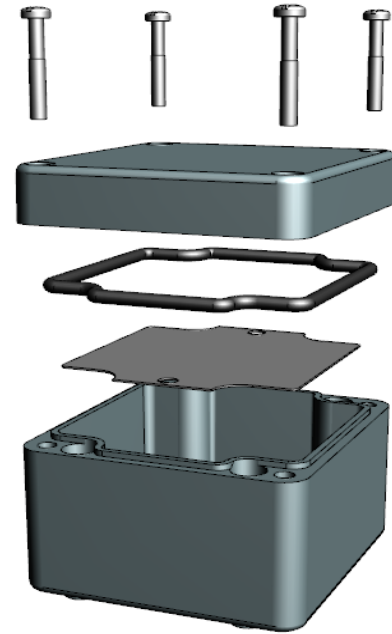
**INSIDE LID**



**SECTION C-C  
MOUNTING HOLE**



**INSIDE BOX**



Enclosures can be Factory Modified ( Milling, Drilling, Printing etc.)  
 Contact Factory [mjm@hammondmfg.com](mailto:mjm@hammondmfg.com) for quotes  
 Solid models of this enclosure available in STEP or IGES.  
 (Part number and text placement/orientation on our products are subject to change,  
 we do not recommend using them as a locating reference for modification purposes)

**NOTE**

Purchased assembly includes Box, Lid, Gasket and 4 cover screws  
 Enclosure Molded from Glass Reinforced Polyester  
**Screw Should Not be Torqued Past 8-9.5 lbf.in (90-110 cN.m)**

**PART NUMBERS**

<b>1590ZGRP162 Enclosure</b>	
Grey Enclosure	1590ZGRP162GY
<b>ACCESSORIES</b>	
Copper Ground Hardware (4 Pack) [M6 - 1.0 X 6mm / M6 Washer]	SCGM6GRP
Steel Inner Panel	1590ZGRP162PL
Hinge Kit (2 Pack)	1427HK



Dimensions:  
mm  
[inches]