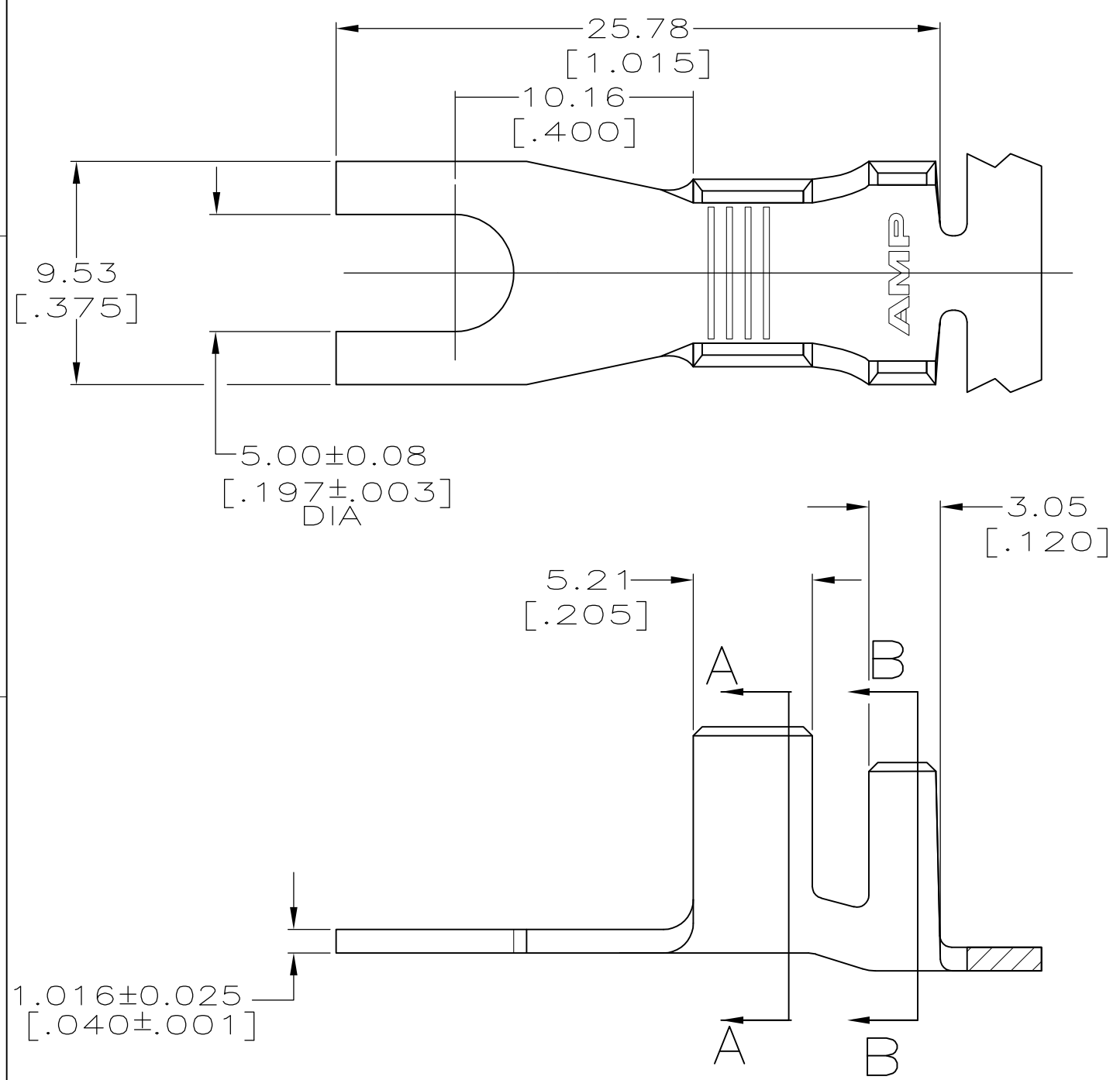


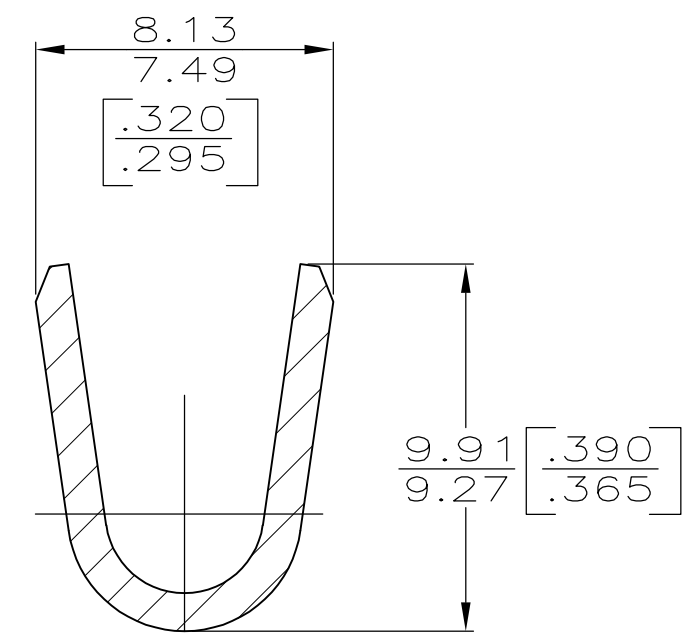
THIS DRAWING IS UNPUBLISHED. RELEASED FOR PUBLICATION  
 © COPYRIGHT BY TYCO ELECTRONICS CORPORATION. ALL INTERNATIONAL RIGHTS RESERVED.

LOC	DIST	REVISIONS					
AF	50	P	LTR	DESCRIPTION	DATE	DWN	APVD
		G		REVISED PER ECR-10-006099	08JUL10	HMR	PD

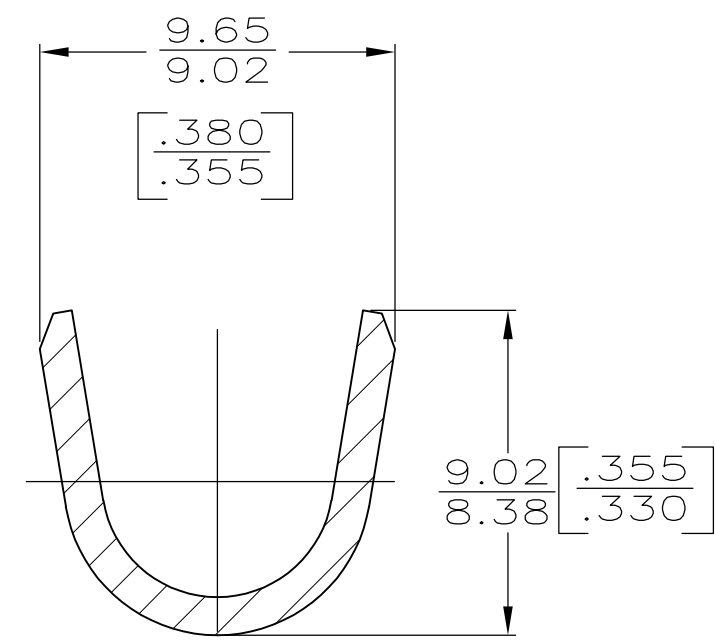


1. CONTINUOUS STRIP ON REEL.

△3 INSULATION RANGE IS  
 3.68-5.33 [.145-.210] FOR AN F TYPE CRIMP.  
 5.33-7.37 [.210-.290] FOR AN O TYPE CRIMP.



SECTION A-A  
SCALE 5:1



SECTION B-B  
SCALE 5:1

△3	[10-6] AWG	61855-1
INSULATION RANGE	WIRE RANGE	PART NO

THIS DRAWING IS A CONTROLLED DOCUMENT.		DWN PHILLIP M FORTNEY 2/14/94	Tyco Electronics Corporation Harrisburg, PA 17105-3608	
DIMENSIONS: mm [INCHES]	TOLERANCES UNLESS OTHERWISE SPECIFIED:	CHK JEFF RUTH 2/14/94	NAME	
	0 PLC ± -	APVD GARY YETTER 2/14/94	SPADE	
	1 PLC ± -	PRODUCT SPEC	-	
	2 PLC ± 0.25 [.010]	APPLICATION SPEC	SIZE	CAGE CODE
	3 PLC ± -	WEIGHT	A3	00779
	4 PLC ± -	CUSTOMER DRAWING	DRAWING NO	C-61855
	ANGLES ± -	SCALE	4:1	SHEET
MATERIAL	FINISH	RESTRICTED TO		REV
082 BRASS	TIN			G
		SCALE	4:1	SHEET
			1 OF 1	REV