

Programmable LED Driver

- Adjustable Output Current
- 10~20W Power Rating

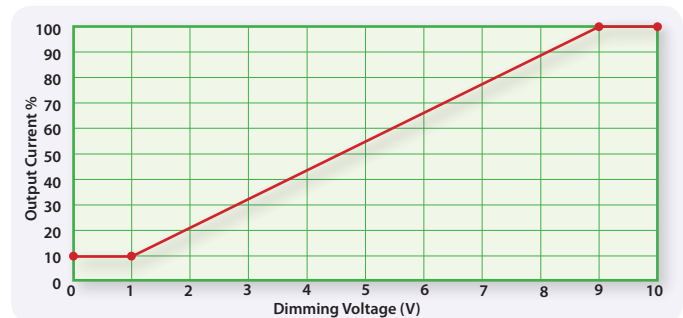
Features:

- Programmable current can be adjusted prior to installation
- 0~10V Low Voltage and PWM Dimming Function
- 90% Efficiency at Full Load
- Comprehensive protection against short-circuit, over voltage, overload and over temperature
- 0.5W Off-State Power Consumption
- 130K hours life time @ 45°C
- RoHS and WEEE Certified

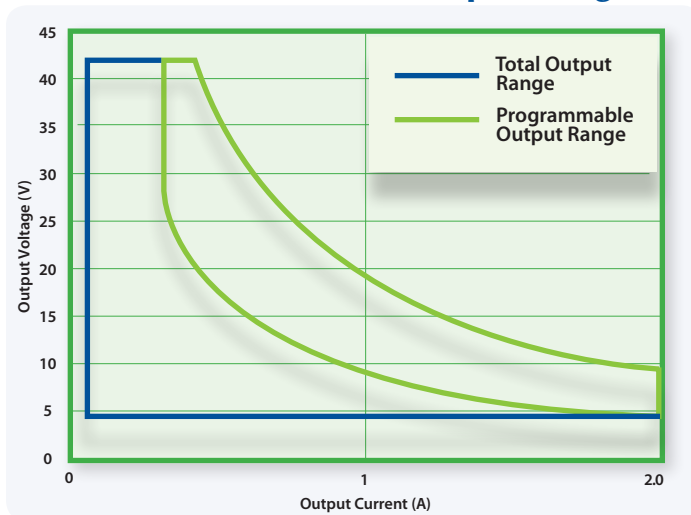


NMB's line of Performance LED Drivers offer a dimmable driver with a wide output current range and the ability to program the output current from 350mA to 2A, to match your application requirements. With brightness compensation and diagnostics, installation and maintenance has never been easier! The 0~10V and PWM digital dimming feature is IEC60929 and ANSI E1.3 compliant. Class II protection assures reinforced insulation between input and output voltages. Standard models offer IP20 rating, with higher ratings available on request to fulfill OEM requirements.

0~10V Dimming Ratio



CLSD-020-PRG-G2 Output Range



PWM Dimming Ratio



*Note: Programming the current of the Performance Line of CLSD Series Drivers requires the use of the CLSD-PRG-BOX-G2 Programming Box plus NMB's LED Driver Set-up Application Software. Please refer to our website at www.nmbtc.com/lighting for additional information.

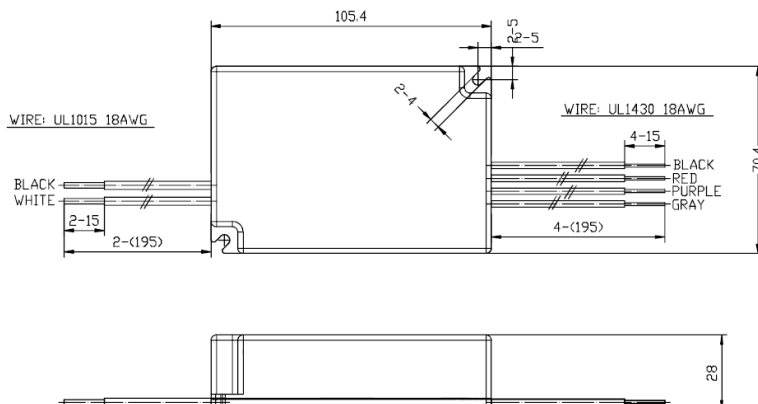
NMB

www.nmbtc.com/lighting

LED Driver Programmable Output Current Coverage

LED DRIVER - 10W~20W POWER RATING				
PART NUMBER	DC Voltage Output [Vdc]		Current Output [mA]	
	Min.	Max.	Min.	Max.
CLSD-020-PRG-G2	5	42	350	2000
ELECTRICAL SPECIFICATIONS				
Universal AC Input Voltage	90-305 (Typical 100 VAC/240 VAC)			
Input Frequency	50/60Hz			
Inrush Current	<36A (Max)			
Dimming Ratio	10% in Linear Mode, and 0% in PWM Mode			
EPA Off-State	0.5W (Max)			
Input Power at Full Load	26W (Max)			
Efficiency at Full Load	90%			
CONTROL & PROTECTION				
Programmability	Programmable (using CLSD-PRG-BOX-G2 Programming Box)			
Protection	Short Circuit / Over voltage / Overload / Over temperature			
ENVIRONMENTAL, SAFETY & MECHANICAL SPECIFICATIONS				
CRITERIA	SPECIFICATION		REFERENCE	
Power Factor	>0.9			
Harmonics	Class C		IEC 61000-3-2	
Isolation Voltage	3000VAC		Minimum	
Surge Immunity	Level 3		IEC 61000-4-5	
Operating Temperature (around case)	-25°C to 60°C		Operating	
Storage Temperature	-40°C to 85°C		Non-Operating	
Lifetime (Minimum hours)	130,000		At Maximum Load (45°C 110V)	
Weight	220g		Maximum	
Ingress Protection	IP20			
Safety: UL	UL8750 UL60950 / UL1310 Class 2 Output		Approved	
CSA	C22.2 No. 107 C22.2 No. 223		Approved	
EN	61347-1 / 61347-2-13		Approved	
EMC	FCC 47 CFR Part 15 Class B / EN61000-3-2 / EN61000-3-3		Approved	
CE	EN61000-3-2 / EN61000-3-3		Approved	

Mechanical Drawing



NMB

NMB Technologies Corporation
 A Minebea Group Company
 Corporate Headquarters
 9730 Independence Avenue
 Chatsworth, California 91311
 Tel: 818-341-3355 • Fax: 818-341-8207
lighting@nmbtc.com
www.nmbtc.com