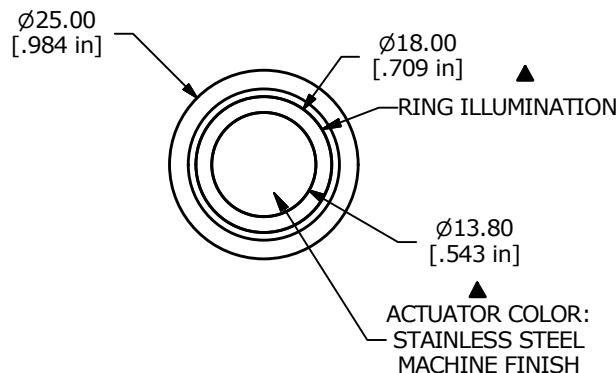


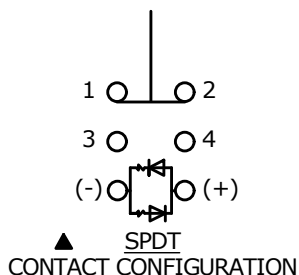
PANEL CUTOUT  
MAX. PANEL THICKNESS 8mm

SWITCH FUNCTION ▲	
POS. 1	POS. 2 (MOM)
1-2	3-4

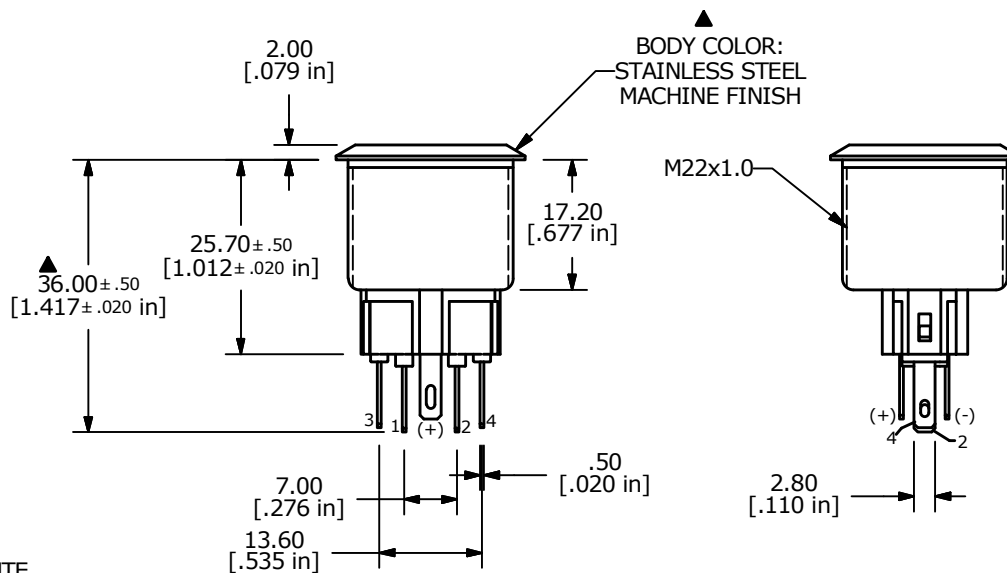
(ON) = MOMENTARY



ACTUATOR COLOR:  
STAINLESS STEEL  
MACHINE FINISH



SPDT  
CONTACT CONFIGURATION



BODY COLOR:  
STAINLESS STEEL  
MACHINE FINISH

M22x1.0

- NOTE:
- ALL DIMENSIONS IN mm [INCH]
  - GENERAL TOLERANCE: X.X = ± 0.4  
X.XX = ± 0.25
  - TERMINAL NOS. FOR REF. ONLY
  - FUNCTION: SPDT
  - RATING: 2A @ 48VDC
  - ILLUMINATION VOLTAGE: 6V
  - CONTACT RESISTANCE: 50mΩ MAX. @ 1A 12VDC
  - INSULATION RESISTANCE: 1,000MΩ @ 500VDC
  - DIELECTRIC STRENGTH: 2,000VAC MIN. FOR 1 MINUTE
  - ELECTRICAL LIFE: 50,000 CYCLES
  - OPERATING TEMPERATURE: -25°C TO 70°C
  - INGRESS PROTECTION: IP65
  - ▲ DENOTES CRITICAL PARAMETER
  - 2002/95/EC (ROHS) COMPLIANT
  - ILLUMINATION COLOR: GREEN (FORWARD), GREEN (REVERSE)
  - HARDWARE INCLUDED (NOT SHOWN) HEX NUT AND O-RING



B	20632	Chd OT -25°C TO 70°C was -40°C TO 70°C	06/07/12	drg
A	20630	INITIAL RELEASE	06/06/12	drg
REV	PCR NO	DESCRIPTION	DATE	BY

TITLE PV7F2Y0SS-333				
SCALE	DATE	DR	DWG	REV
NONE	6/7/2012	drg	52-PV7F2Y0SS333	B

THE INFORMATION CONTAINED IN THIS DOCUMENT IS PROPRIETARY TO E-SWITCH AND IS NOT TO BE COPIED OR TRANSFERRED