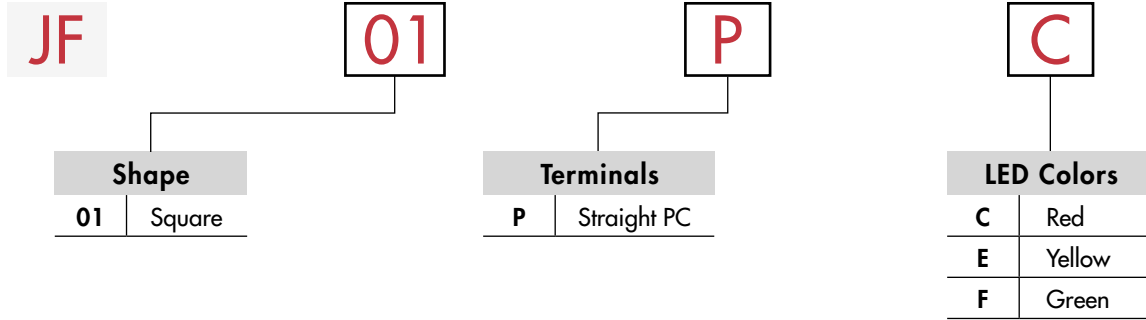
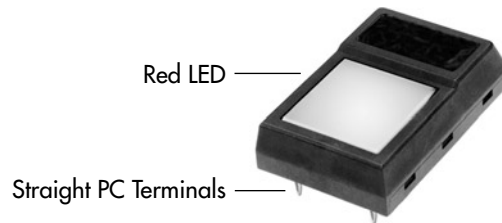


### TYPICAL INDICATOR ORDERING EXAMPLE



### DESCRIPTION FOR TYPICAL ORDERING EXAMPLE

**JF01PC**



### LED COLORS & SPECIFICATIONS

LED is an integral part of the indicator and not available separately.

LED polarity markings are on the bottom of the indicator.

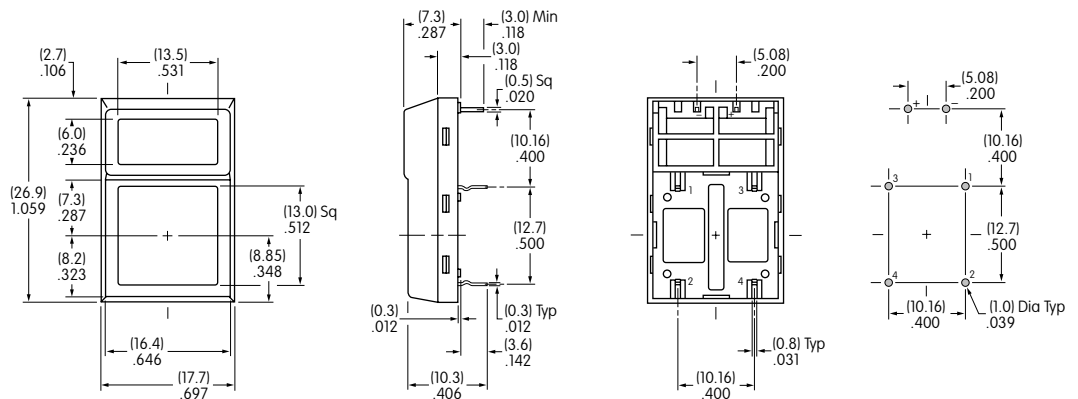
The electrical specifications shown are determined at a basic temperature of 25°C. If the source voltage exceeds the rated voltage, a ballast resistor is required.

The resistor value can be calculated by using the formula in the Supplement section.

		<b>C</b>	<b>E</b>	<b>F</b>
	Color	Red	Yellow	Green
Forward Peak Current	$I_{FM}$	30mA	30mA	30mA
Continuous Forward Current	$I_F$	20mA	20mA	20mA
Forward Voltage	$V_F$	1.77V	2.1V	2.3V
Reverse Peak Voltage	$V_{RM}$	4V	4V	4V
Current Reduction Rate Above 25°C	$\Delta I_F$	0.4mA/°C	0.4mA/°C	0.4mA/°C
Ambient Temperature Range		-25° ~ +70°C		

### TYPICAL INDICATOR DIMENSIONS

#### Square



**JF01PC**