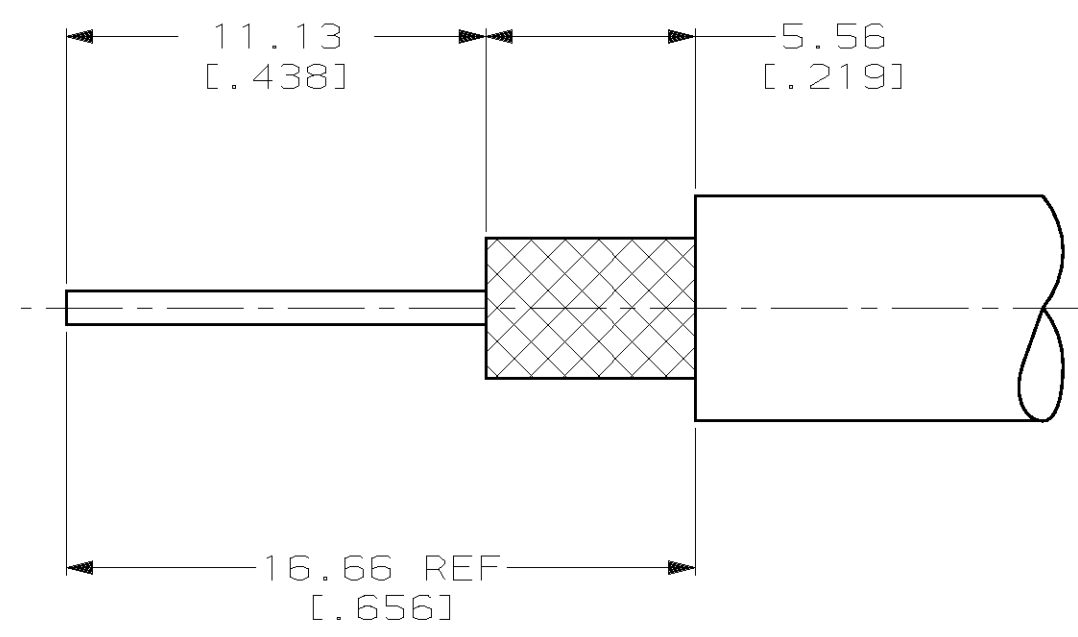
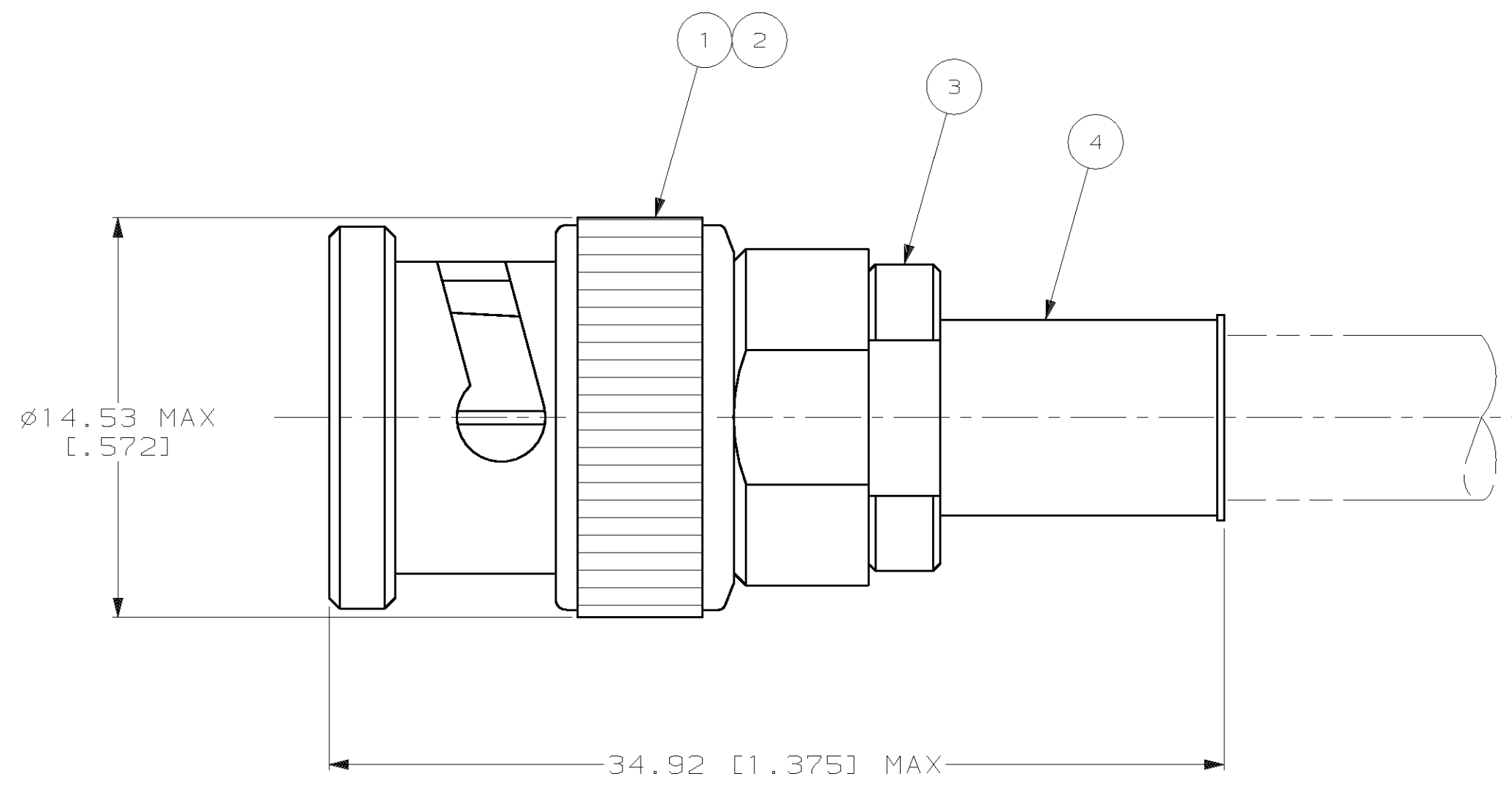


THIS DRAWING IS UNPUBLISHED. RELEASED FOR PUBLICATION
 © COPYRIGHT 19 BY AMP INCORPORATED. ALL INTERNATIONAL RIGHTS RESERVED.

LOC	DIST	P	F	ZONE	LTR	REVISIONS	DATE	APPD
AJ	16				H	DESCRIPTION		
						SUPERSEDE -21 PER 0E10-0130-99	13DEC99	M0

1. USE INSTRUCTION SHEET 1799-1



RECOMMENDED STRIP LENGTH
NO SCALE

OBSOLETE	-	-	-	-	-	-	-	7-330358-1
	RG-142/U, 142A/U, 142B/U	693331-1	329099	1-50780-3	2-329106-1	329804		2-330358-2
SUPSD BY 225395-5	RG-141/U, 141A/U	693331	330478	1-50780-3	2-329106-1	329804		2-330358-1
OBSOLETE	-	-	-	-	-	-		330358
	CABLE	CRIMP TOOL	④ FERRULE QTY=1	③ CRIMP END ASSEMBLY QTY=1	② GASKET QTY=1	① PLUG ASSEMBLY QTY=1		PART NUMBER
								PART NO

DO NOT SCALE PRINT. UNLESS SPECIFIED DIMENSIONS IN mm [INCHES] TOLERANCES ON : 2 PLC DEC ± 0.41 [0.016] 3 PLC DEC ± - ANGLES ± -	DR 14FEB96 MICHAEL E. COWHER	AMP Incorporated Harrisburg, PA 17105-3608
MATERIAL	CHK 15FEB96 FRANK P. MORANA	
FINISH	APPD 15FEB96 FRANK P. MORANA	NAME
	APPD 15FEB96 MICHAEL E. COWHER	PLUG, BNC
	PRODUCT SPEC	SIZE
	APPLICATION SPEC	CAGE CODE
		DRAWING NO
		③ 00779
		330358
		SCALE
		5:1
		SHEET
		1 OF 1