

DETAILS

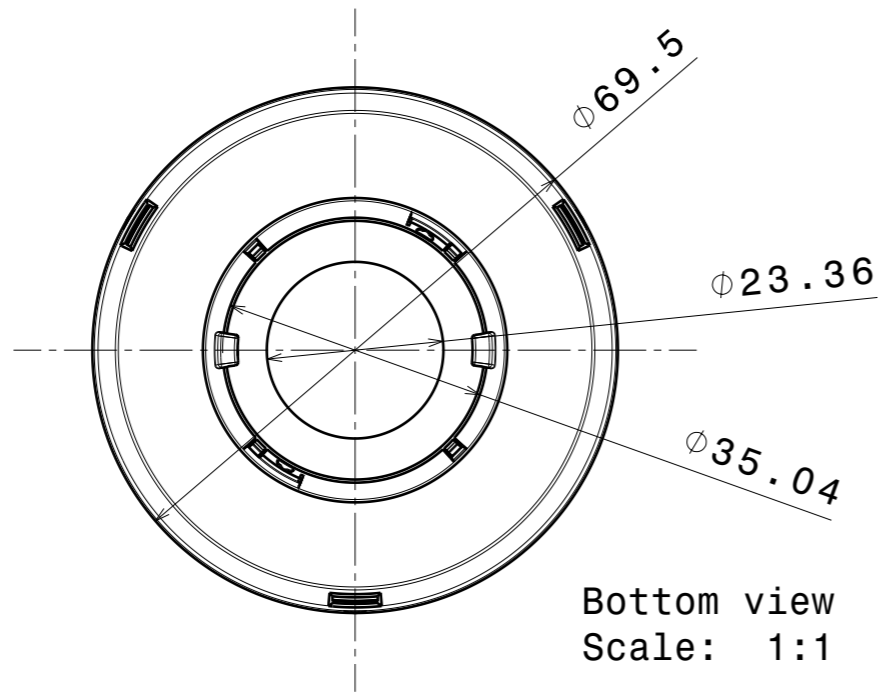
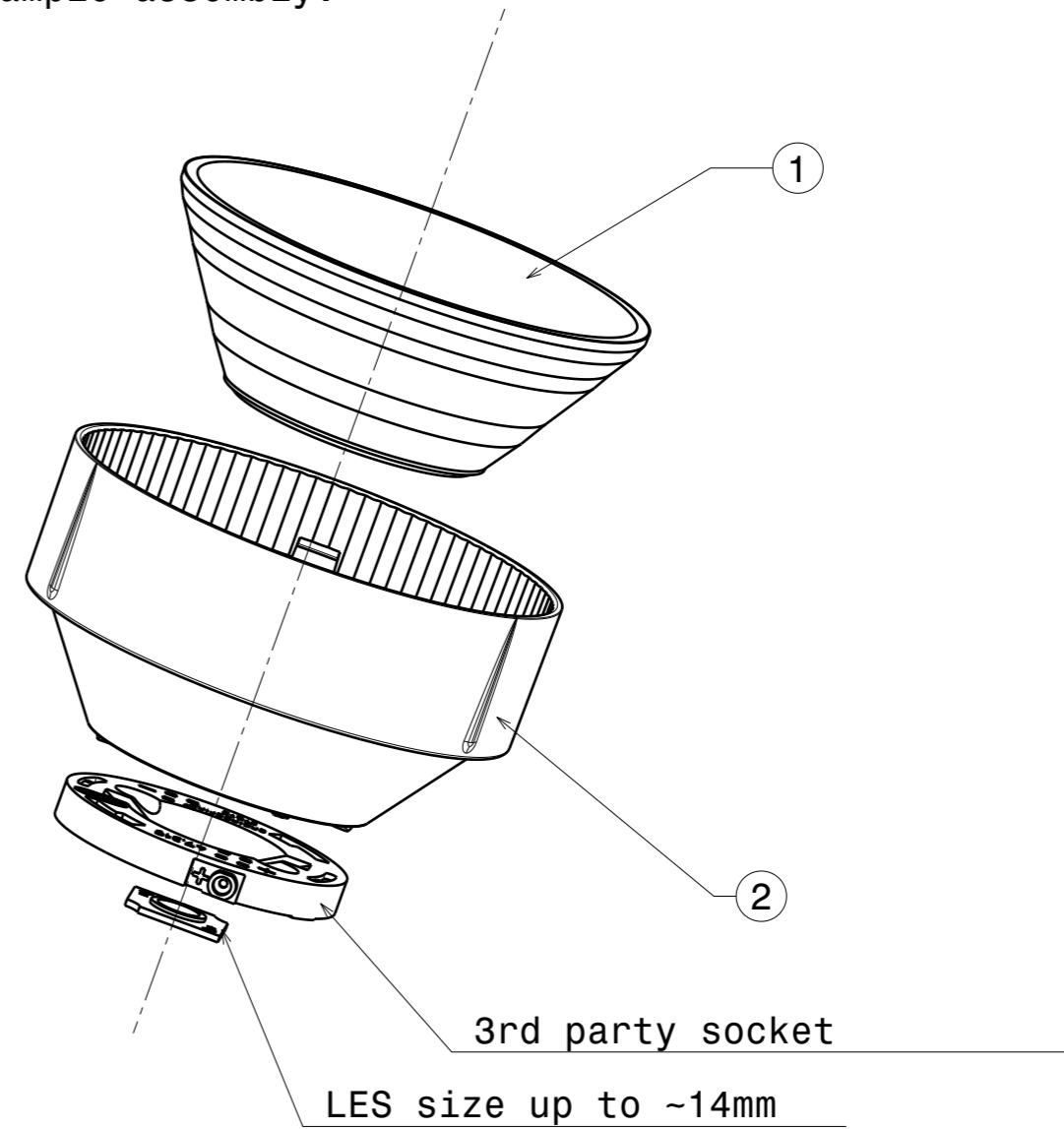
Product Number	CP15212_CARMEN-S-B
Family	CARMEN
Type	Assembly
Color	black
Diameter	69,5 mm
Height	36,26 mm
Style	round
Optic Material	PMMA
Holder Material	
Fastening	socket
Status	production ready
ROHS Compliant	Yes
Date Updated	3/03/2017



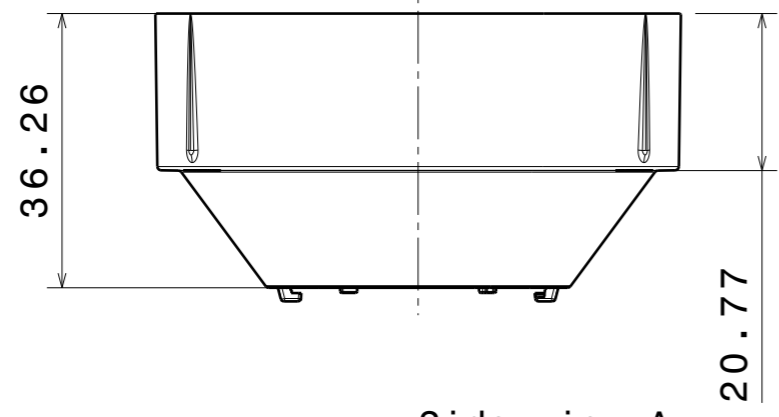
OPTICAL PROPERTIES

LED	Viewing	Light	Effi-		
	Angle	Beam	ciency	cd/lm	Connector
V10 Gen6	sim: 14	Spot	sim: 76 %	sim: 8.000	BJB: 47.319.6214
CLL02x/CLU02x (LES10)	sim: 16	Spot	sim: 75 %	sim: 6.900	BJB: 47.319.6060
CLU700/701	10 deg	Spot	77 %	12.000	BJB: 47.319.6060
CXA/B 13xx	9 deg	Spot	81 %	13.000	BJB: 47.319.6120
CXA/B 15xx	14 deg	Spot	75 %	7.200	BJB: 47.319.6101
COB S-Type	sim: 12	Spot	sim: 80 %	sim: 11.900	BJB: 47.319.6180
COB D Series LES 9.8 mm	15 deg	Spot	77 %	6.600	A.A.G. STUCCHI: 8100/G2
COB D Series LES 9.8 mm	15 deg	Spot	77 %	6.600	BJB: 47.319.6060
MJT COB LES 6	10 deg	Spot	77 %	12.300	BJB: 47.319.6060

Example assembly:



Bottom view
Scale: 1:1



Side view A
Scale: 1:1

INDEX	PART NO	MATERIAL	COLOUR
1	CARMEN-LENS	PMMA	
2	F15211_CARMEN-HLD-B	PC	BLACK

Tolerances if not otherwise shown
According to DIN ISO 2768-1
Linear measures:
up to 30mm class M, otherwise class C
According to DIN ISO 2768-2
Form and position: class L

LEDiL LediL Oy
Salorankatu 10
FIN 24240 SALO
Finland

THIRD ANGLE PROJECTION:

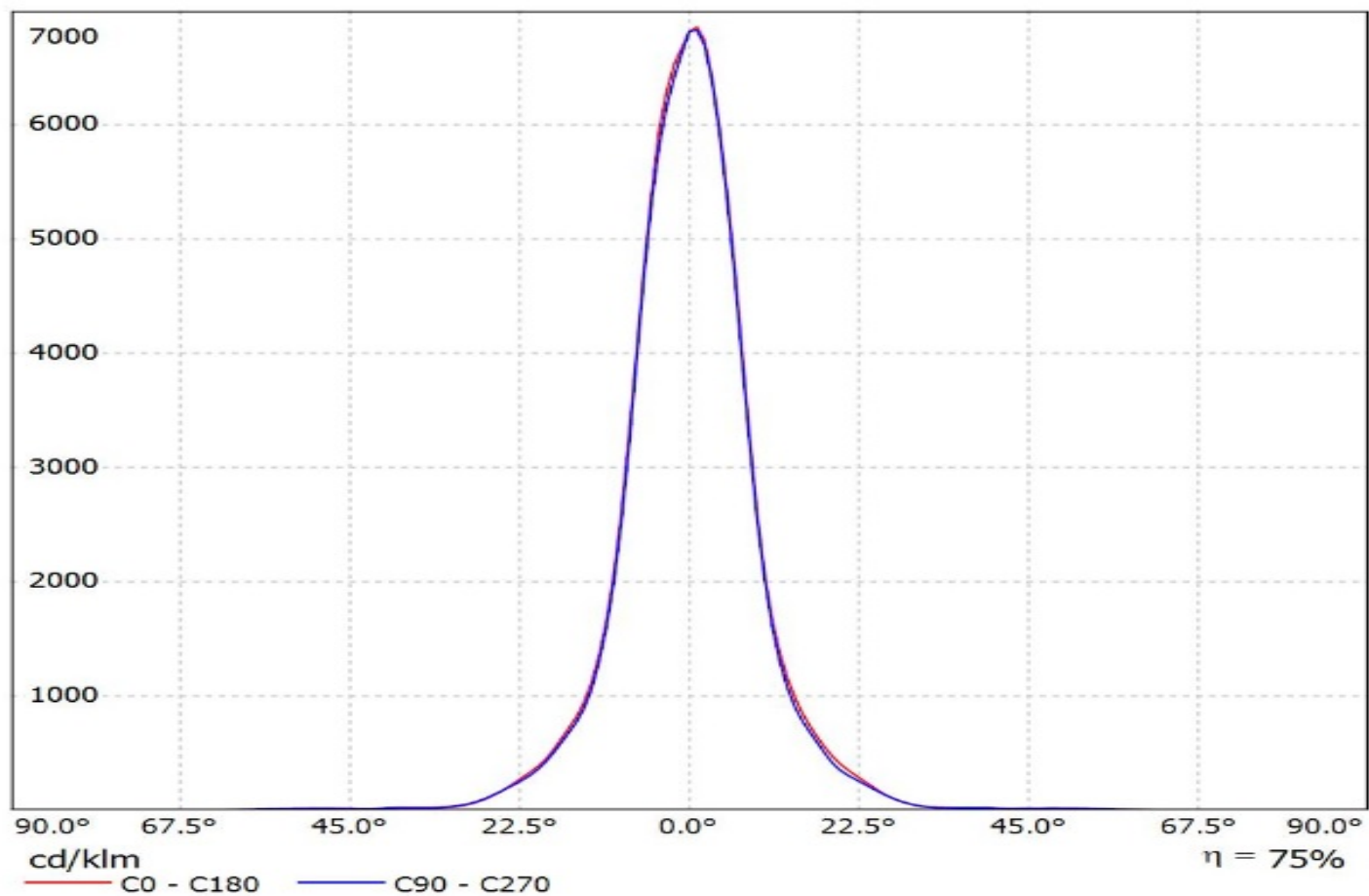
DRAWING TITLE
CARMEN - B

This drawing is the property of LEDiL Oy. It may not be reproduced, copied or communicated without a written agreement with LEDiL Oy.

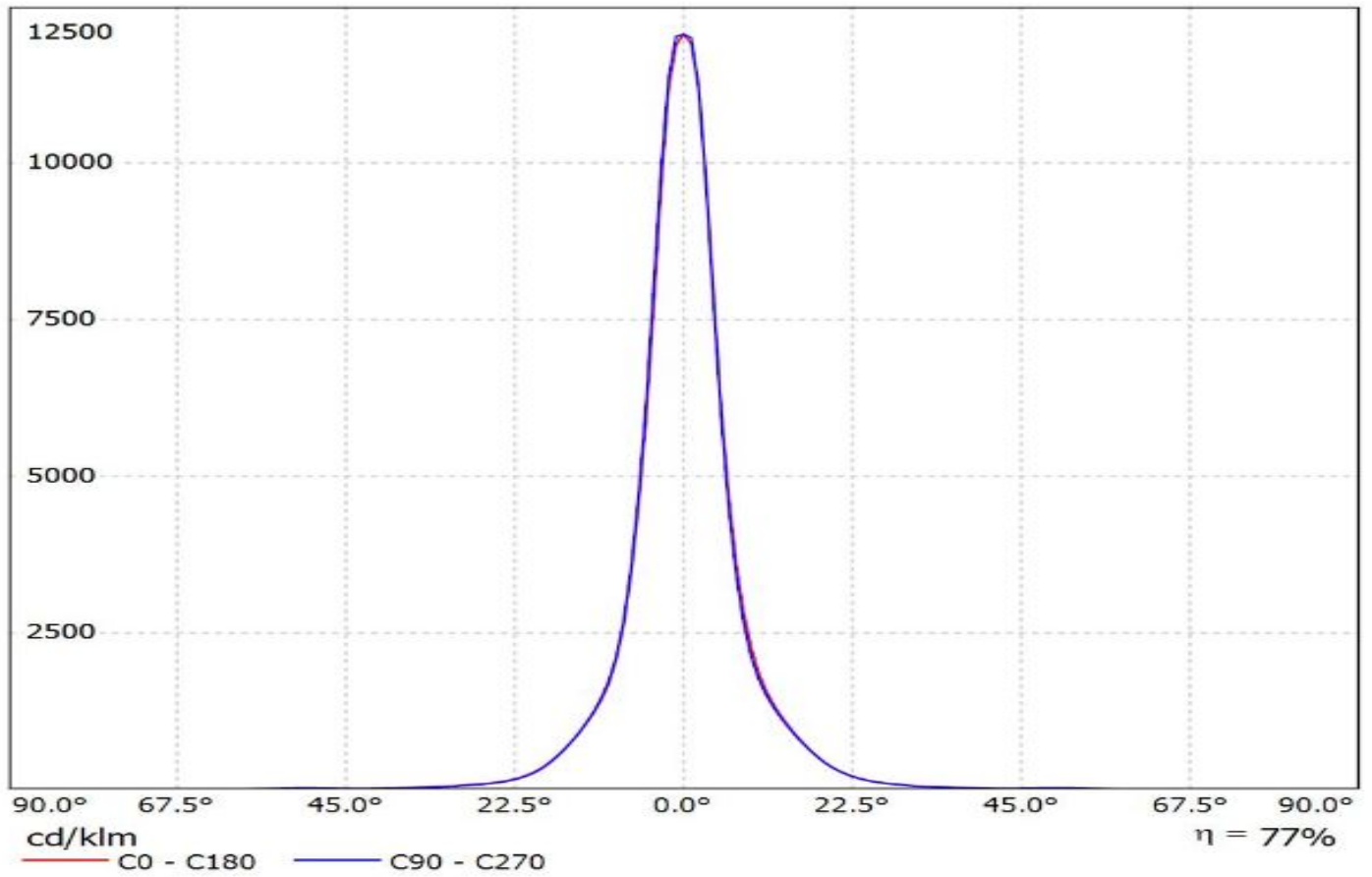
SIZE PART NUMBER
A3

SCALE 1:1 WEIGHT SHEET 1/1

Luminaire: Ledil Oy CP15212_CARMEN-S-B_(CLU028)_(47_319_6060)_SIMULATED
Lamps: 1 x Citizen CLU028-1204C4-303M2K1 + BJB 47.319.6060 connector

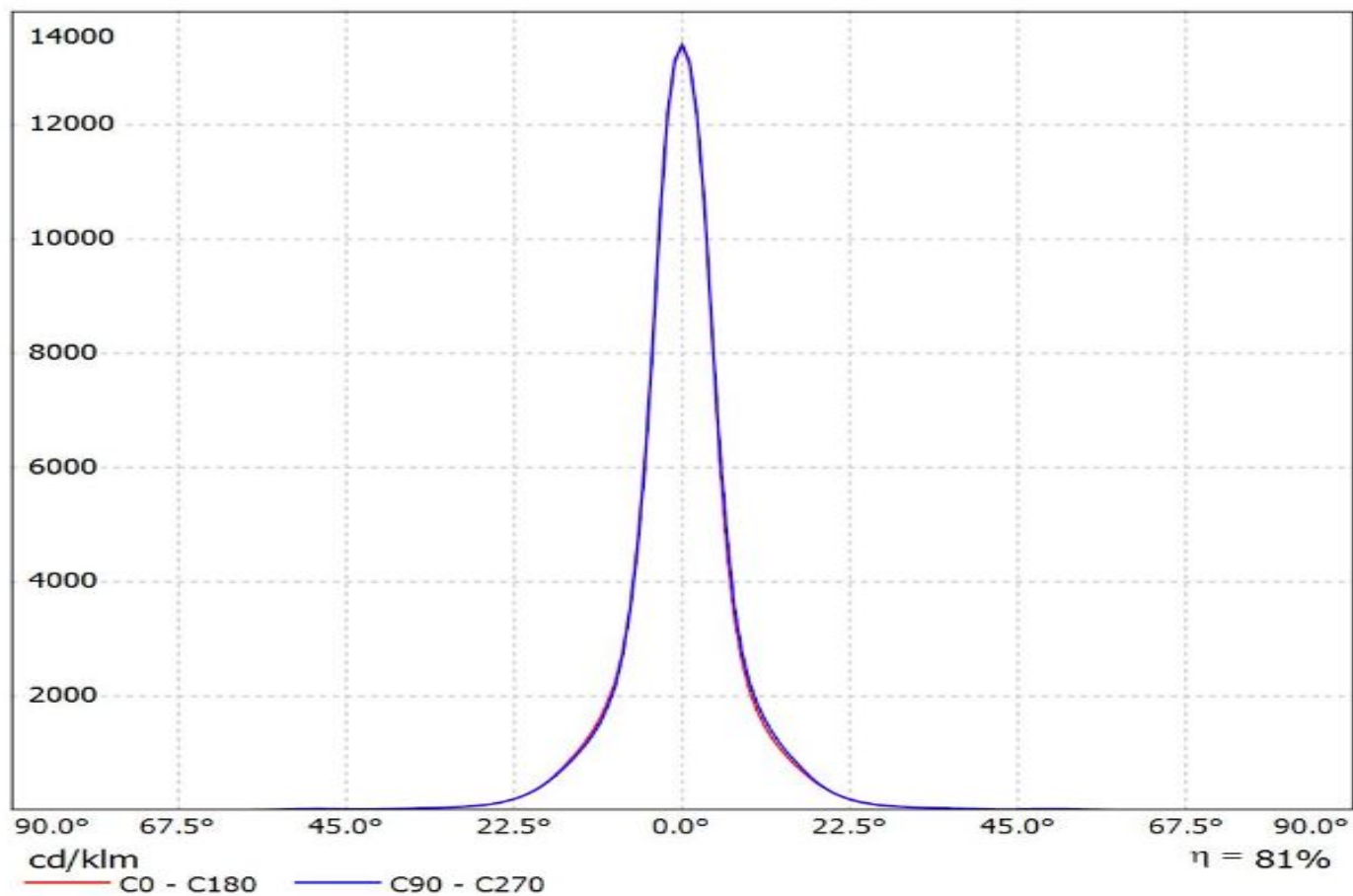


Luminaire: Ledil CP15212_CARMEN-S-B_(CLU700)
Lamps: 1 x Citizen_CLU700-1002B8-
503M2G1_BJB_47.319.6060_327.864lm@100mA_P=2.8143W_I=0.1A

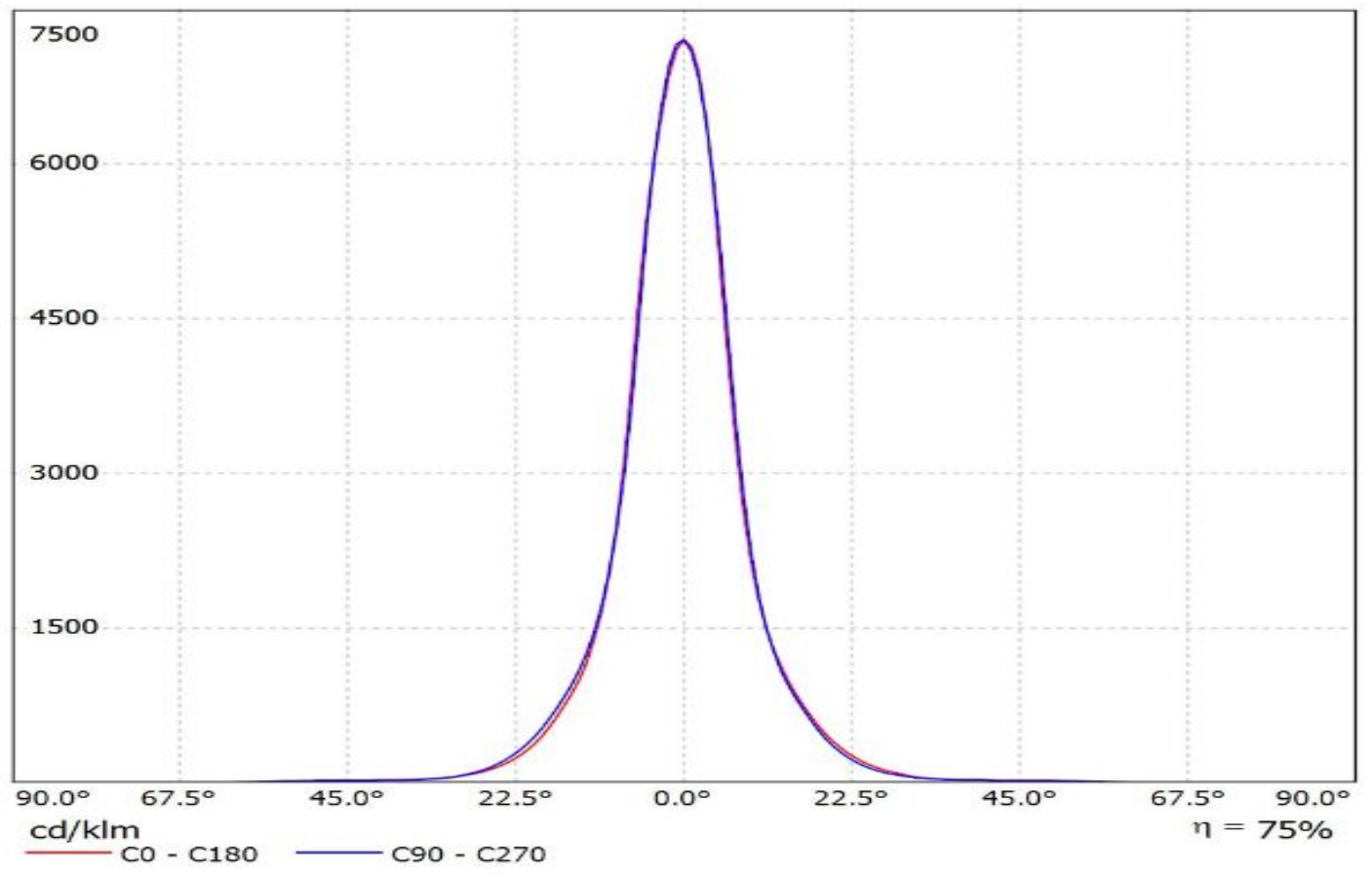


Luminaire: LEDiL Oy CP15212_CARMEN-S-B_(CXA1310)

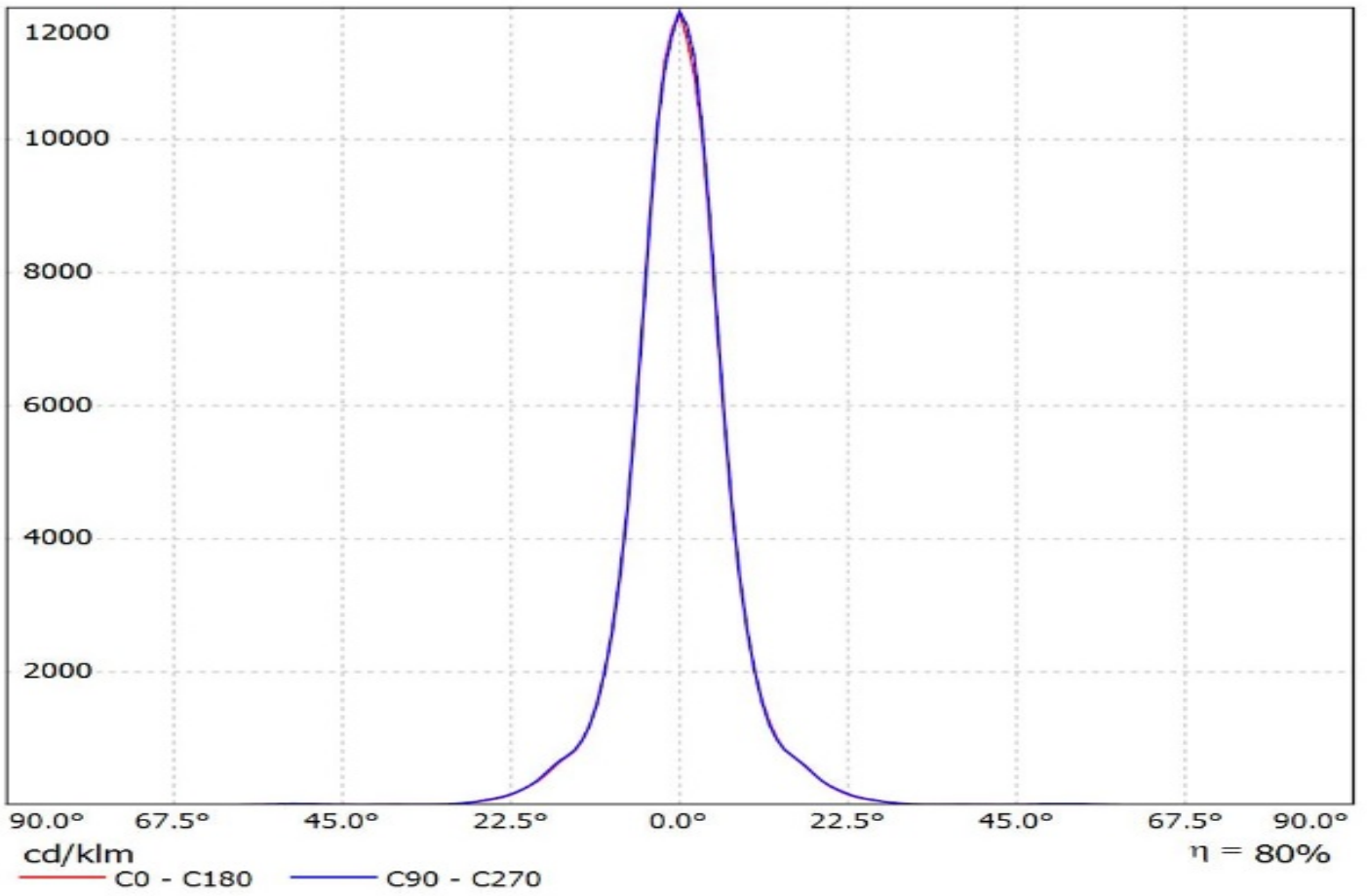
Lamps: 1 x Cree_CXA1310_(CXA1310-30H-G4-F0Y-00001)_362.977lm@250mA_P=4.28728W_I=0.250A



Luminaire: Ledil CP15212_CARMEN-S-B_(CXA1507)
Lamps: 1 x Cree_CXA1507-30F-F4-N0H-
00000_BJB_47.319.6100_231.805lm@50mA_P=1.7044W_I=0.05A

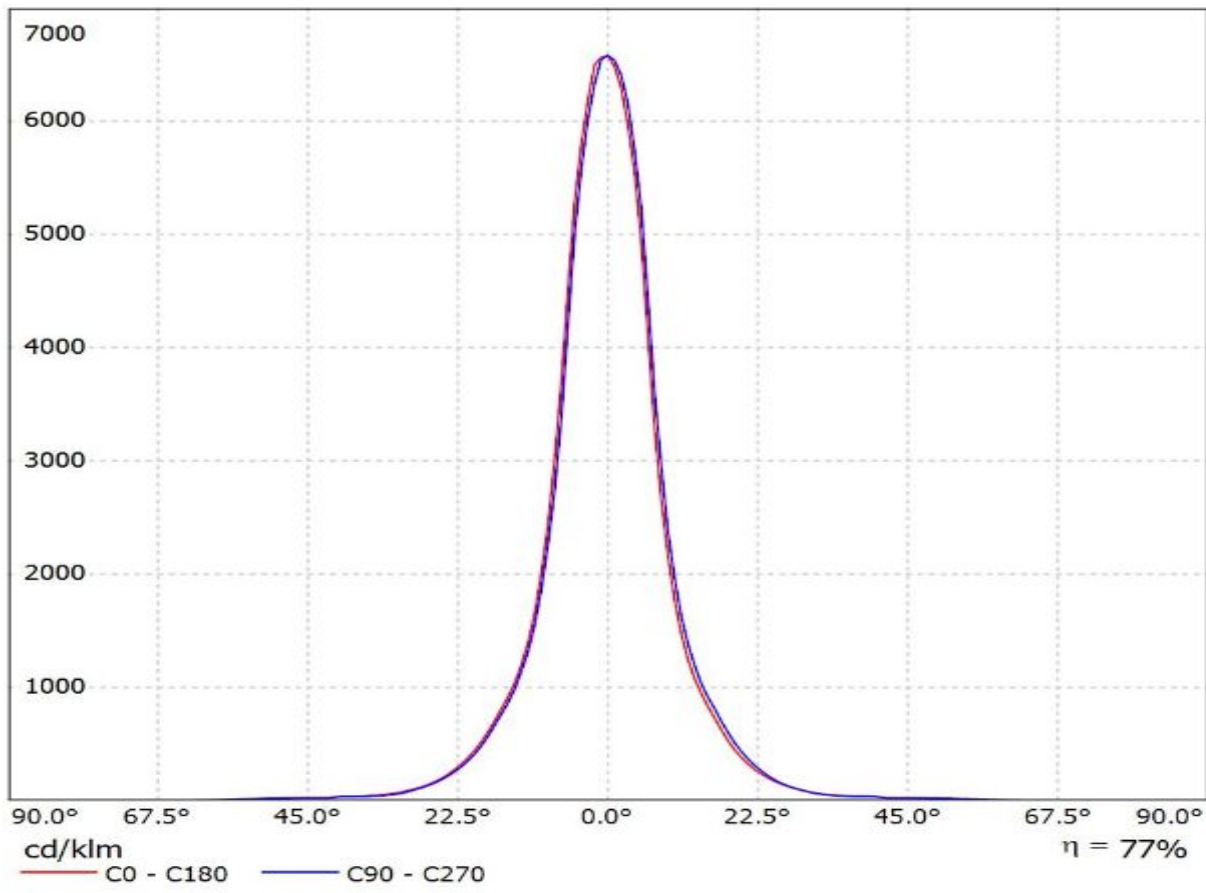


Luminaire: Ledil Oy CP15212_CARMEN-S-B_(NJCxxS024Z)_(BKB_47_319_6180)_SIMULATED
Lamps: 1 x Nichia NJCWS024Z



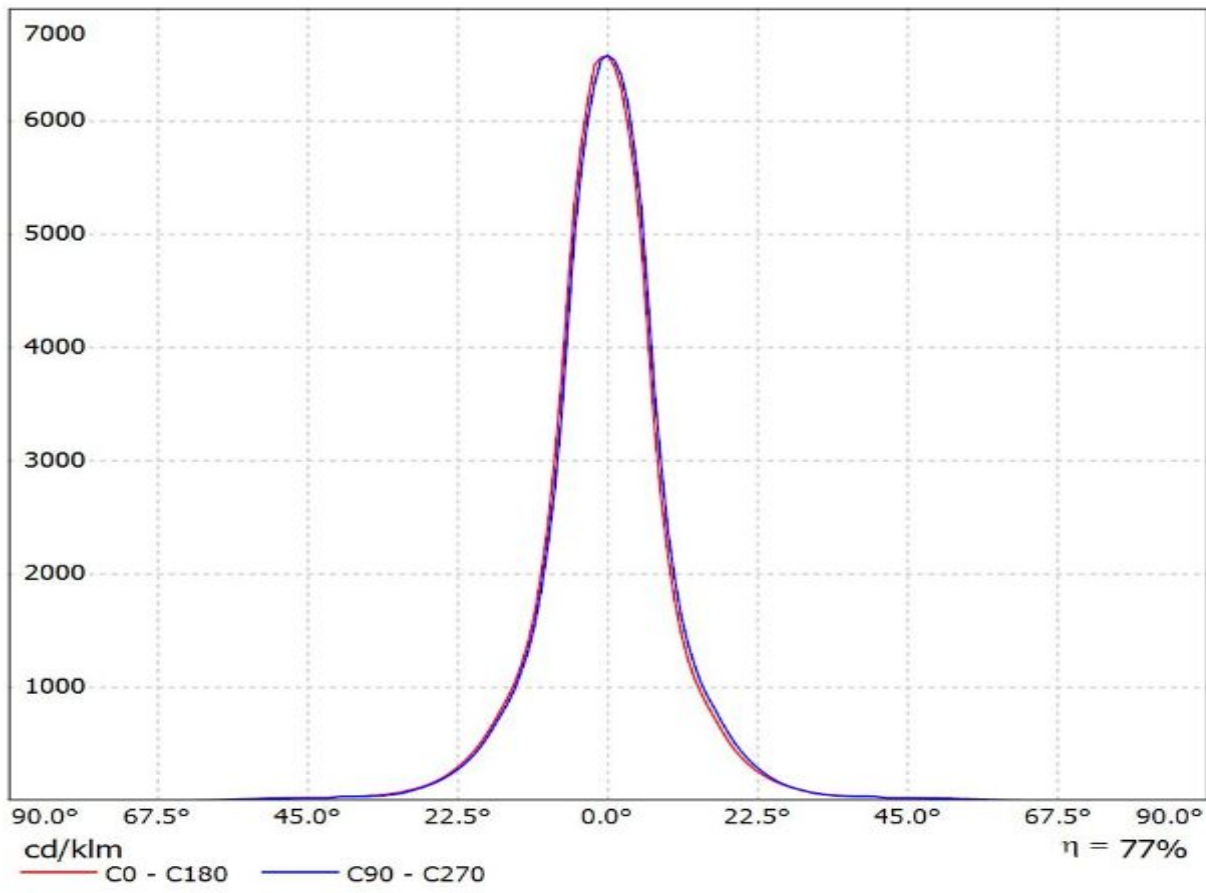
Luminaire: LEDiL Oy CP15212_CARMEN-S-B (COB_D_LES_9.8mm)_

Lamps: 1 x Samsung_COB_D_series_LES_9.8mm_LC013D_CCT=4000K_561.18lm@100mA_P=3.27945W_I=0.100A



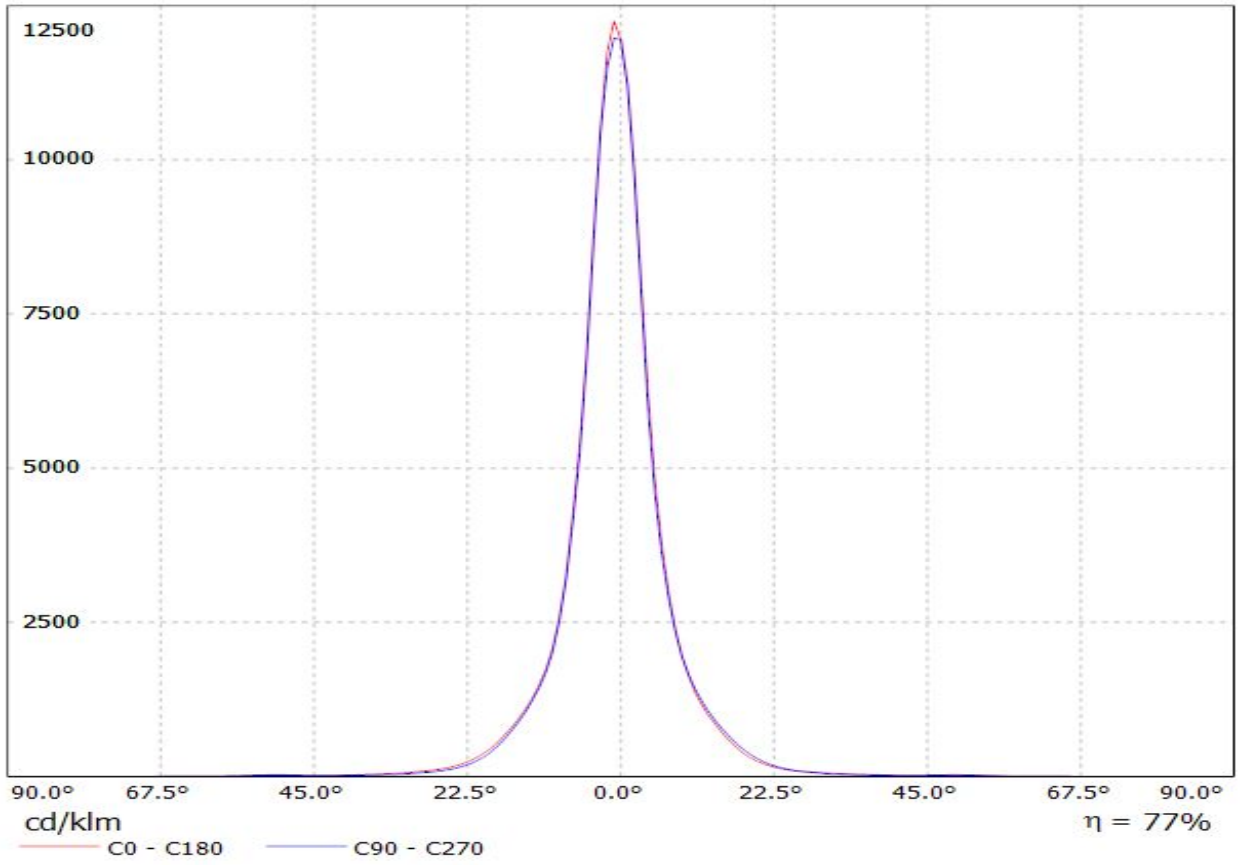
Luminaire: LEDiL Oy CP15212_CARMEN-S-B (COB_D_LES_9.8mm)_

Lamps: 1 x Samsung_COB_D_series_LES_9.8mm_LC013D_CCT=4000K_561.18lm@100mA_P=3.27945W_I=0.100A



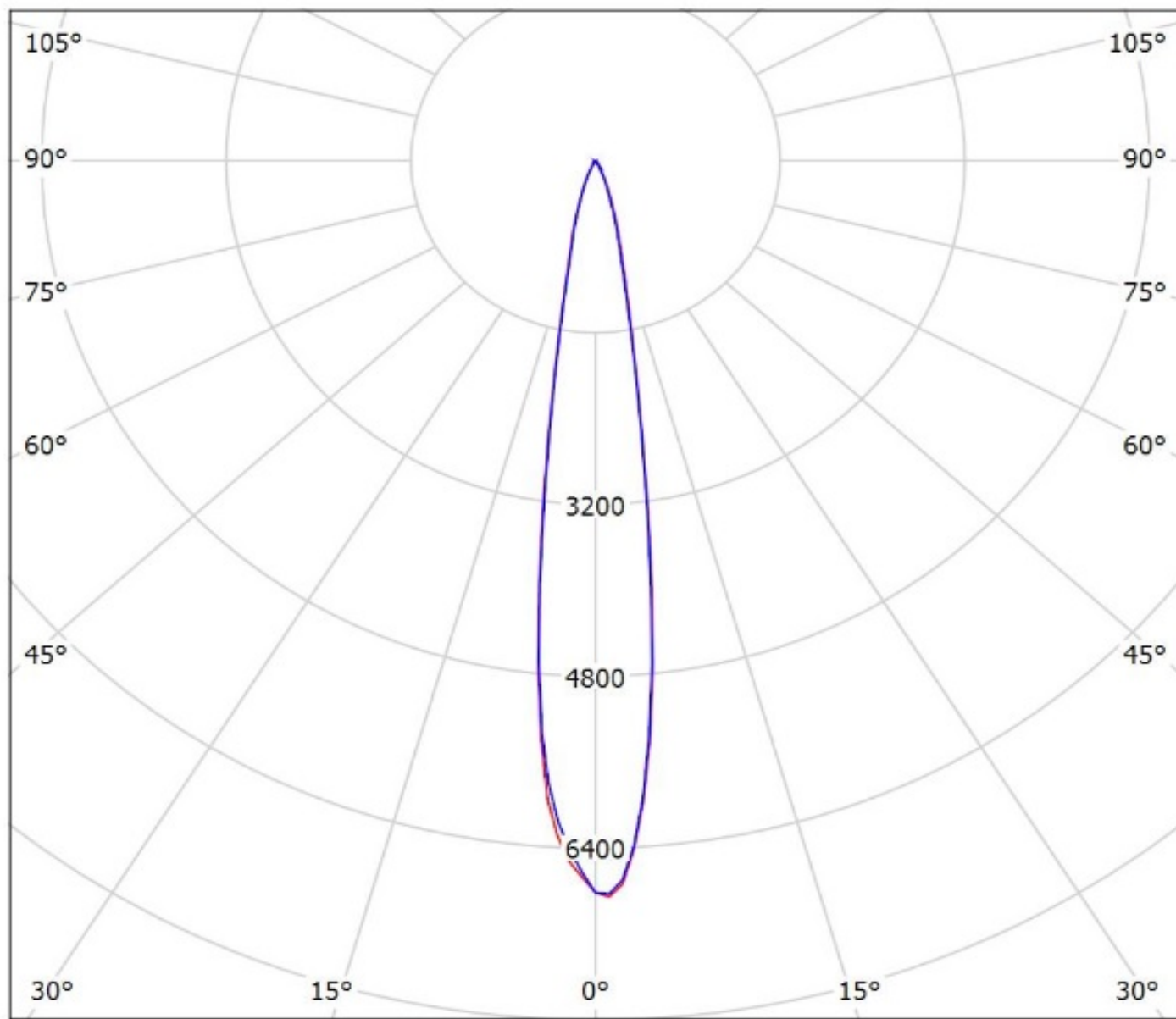
Luminaire: Ledil CP15212_CARMEN-S-B_(MJT_6W_Les6)

Lamps: 1 x Seoul_MJT_6W_Les6mm_(SAWx0661A)_840.279lm@180mA_P=6.52554W_I=0.18A



Luminaire: Ledil Oy CP15212_CARMEN-S-B_(CLU028)_(47_319_6060)_SIMULATED

Lamps: 1 x Citizen CLU028-1204C4-303M2K1 + BJB 47.319.6060 connector

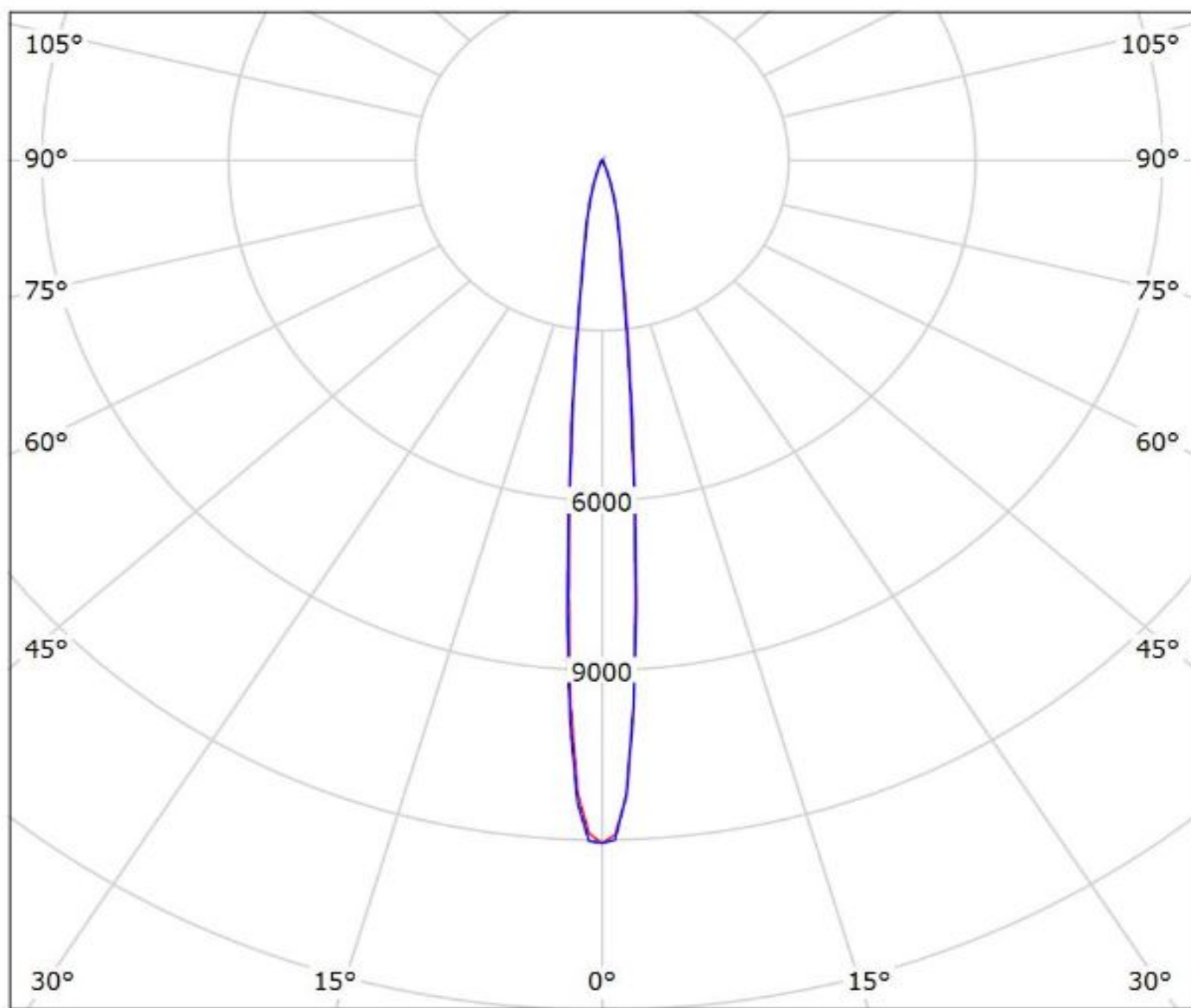


cd/klm

— C0 - C180 — C90 - C270

$\eta = 75\%$

Luminaire: Ledil CP15212_CARMEN-S-B_(CLU700)
Lamps: 1 x Citizen_CLU700-1002B8-
503M2G1_BJB_47.319.6060_327.864lm@100mA_P=2.8143W_I=0.1A

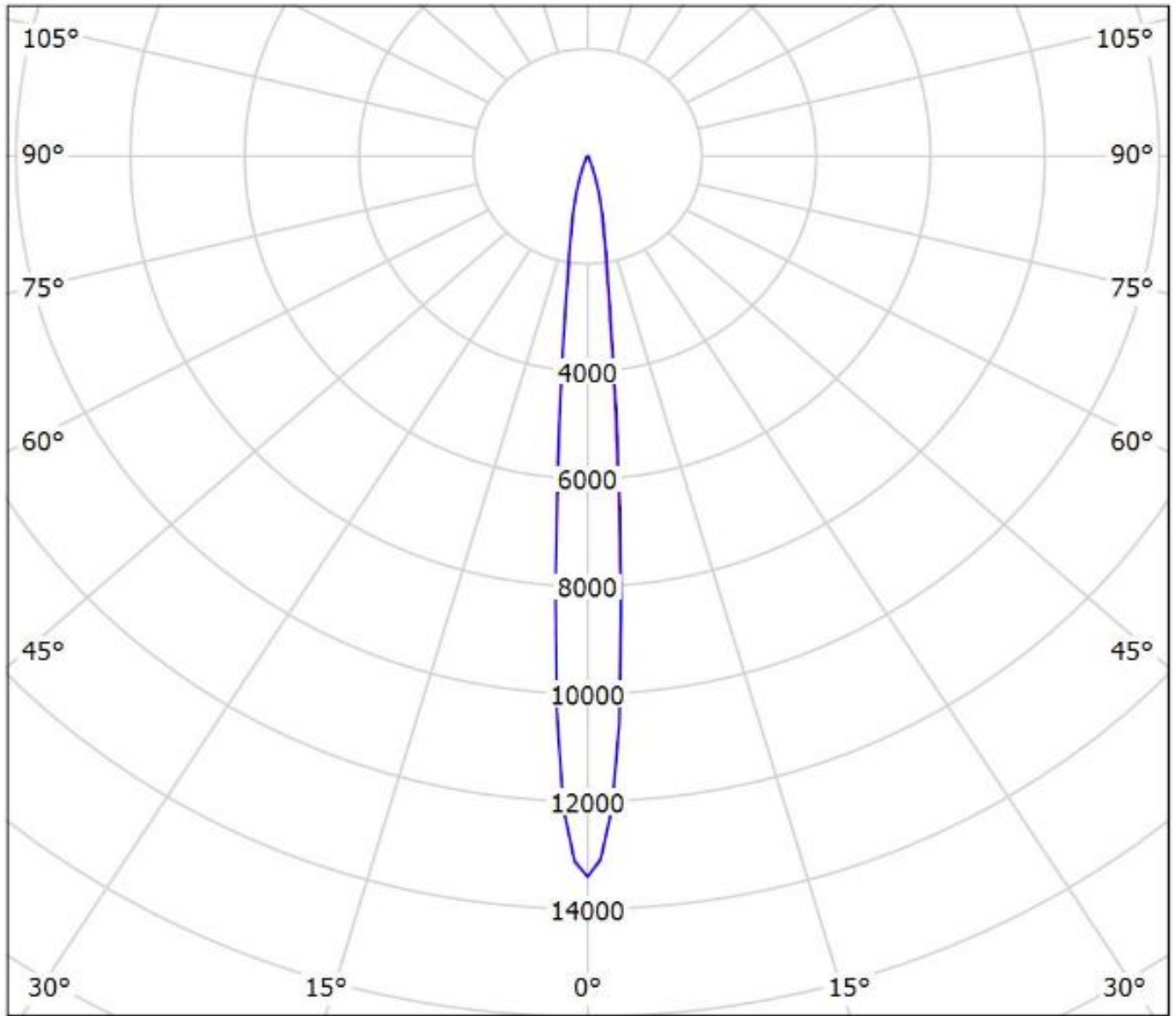


cd/klm
— C0 - C180 — C90 - C270

$\eta = 77\%$

Luminaire: LEDiL Oy CP15212_CARMEN-S-B_(CXA1310)

Lamps: 1 x Cree_CXA1310_(CXA1310-30H-G4-F0Y-00001)_362.977lm@250mA_P=4.28728W_I=0.250A



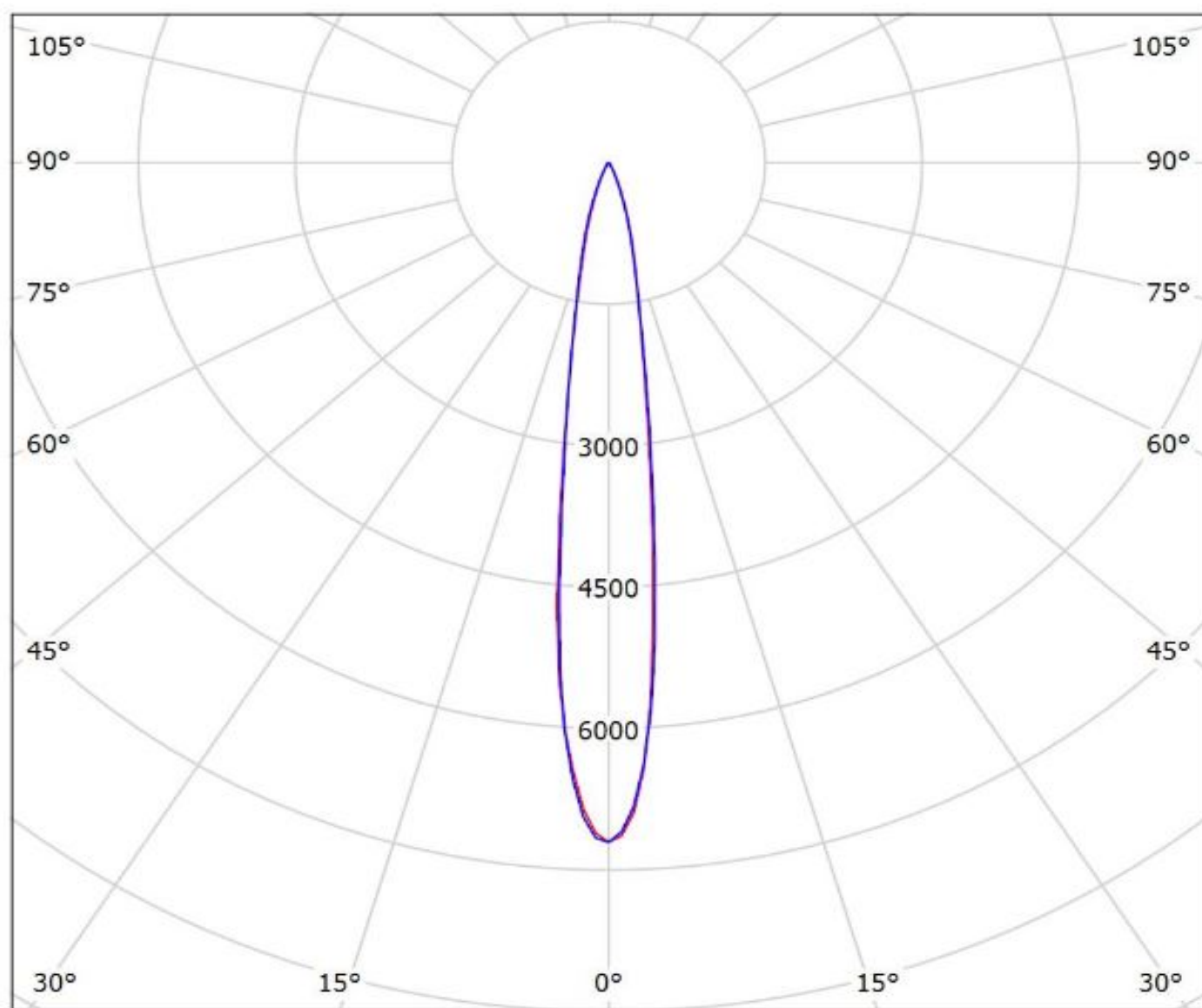
cd/klm

— C0 - C180

— C90 - C270

$\eta = 81\%$

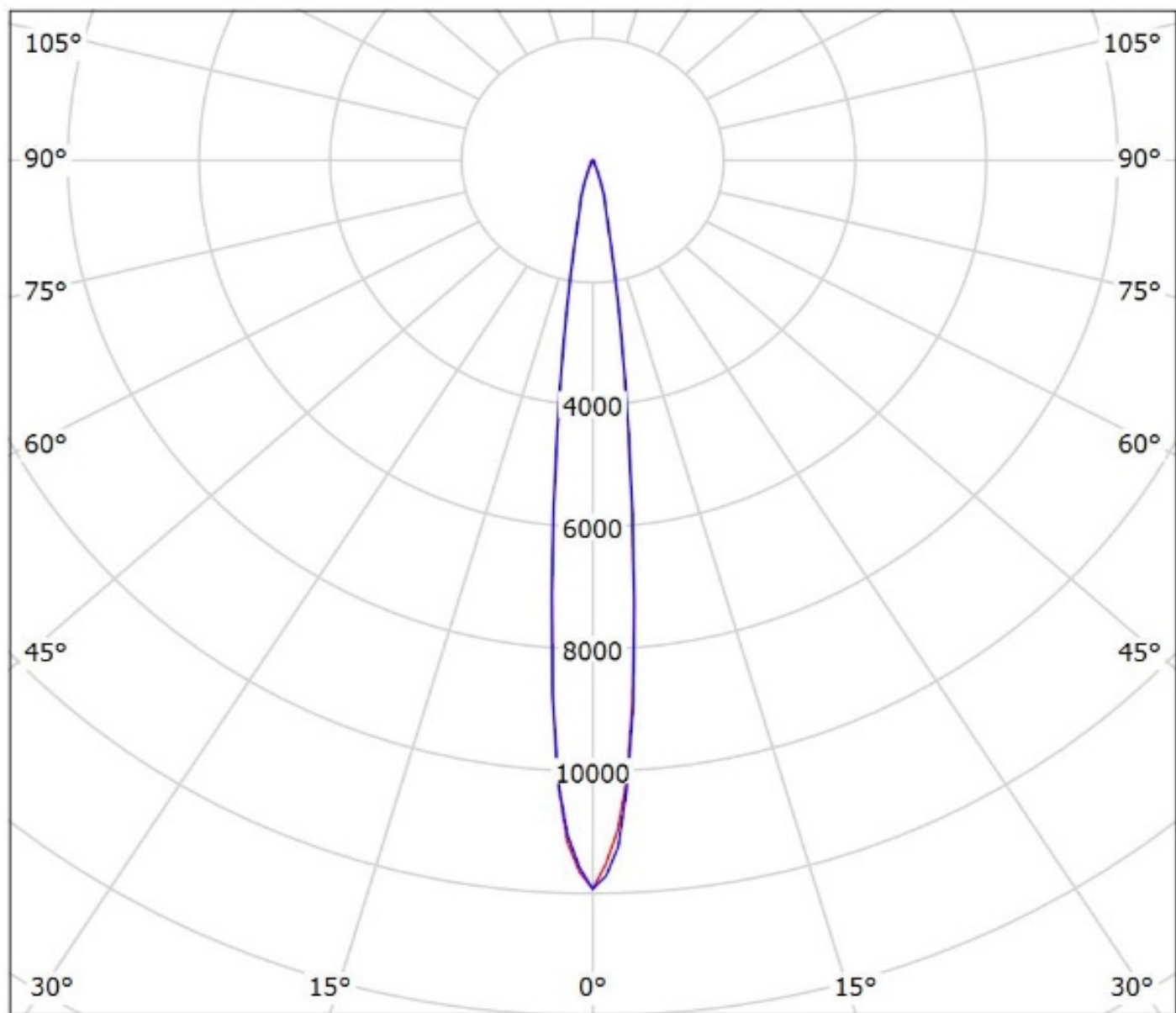
Luminaire: Ledil CP15212_CARMEN-S-B_(CXA1507)
Lamps: 1 x Cree_CXA1507-30F-F4-N0H-
00000_BJB_47.319.6100_231.805lm@50mA_P=1.7044W_I=0.05A



cd/klm
— C0 - C180 — C90 - C270

η = 75%

Luminaire: Ledil Oy CP15212_CARMEN-S-B_(NJCxxS024Z)_(BKB_47_319_6180)_SIMULATED
Lamps: 1 x Nichia NJCWS024Z



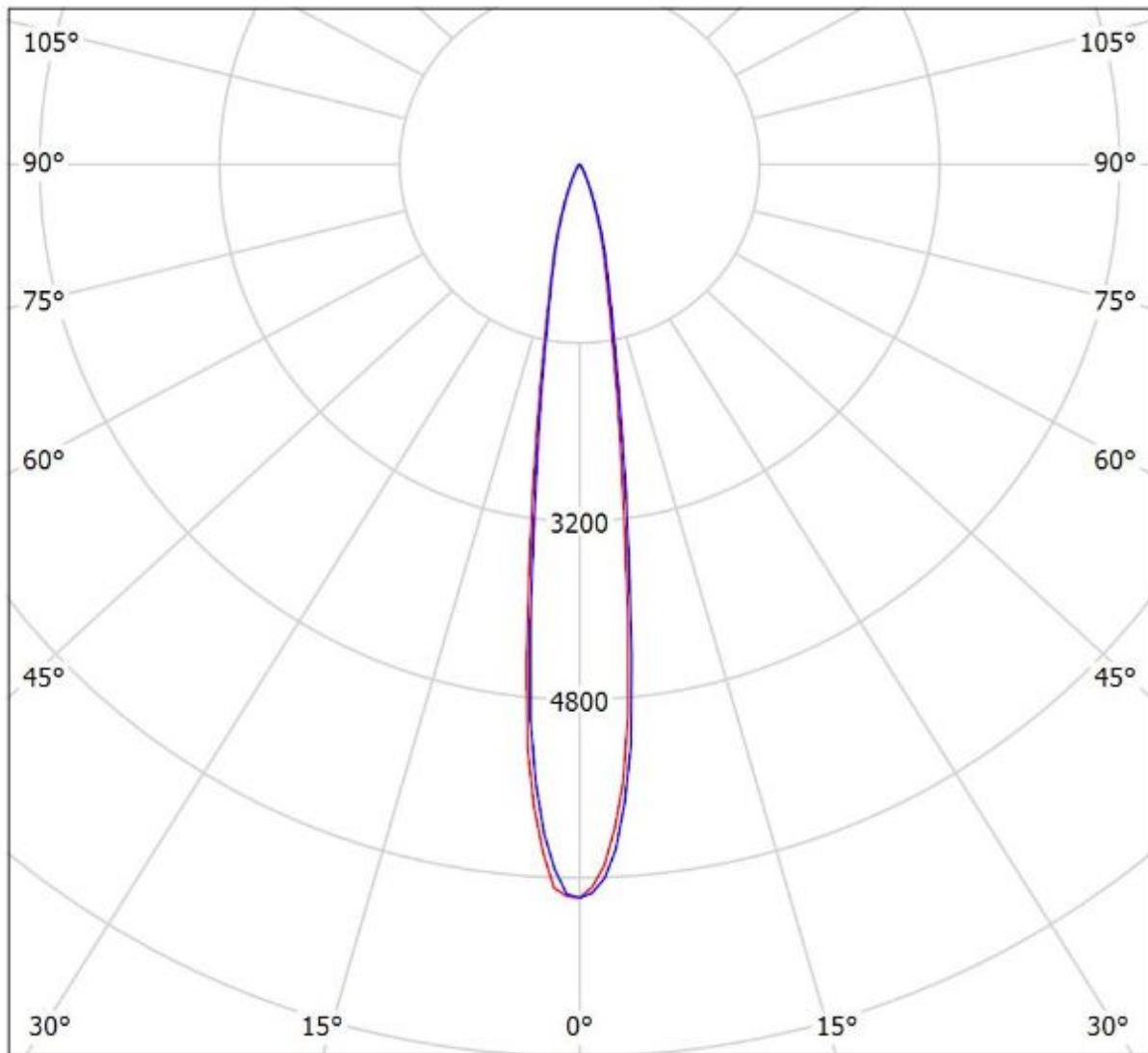
cd/klm

— C0 - C180 — C90 - C270

$\eta = 80\%$

Luminaire: LEDiL Oy CP15212_CARMEN-S-B_(COB_D_LES_9.8mm)_

Lamps: 1 x Samsung_COB_D_series_LES_9.8mm_LC013D_CCT=4000K_561.18lm@100mA_P=3.27945W_I=0.100A

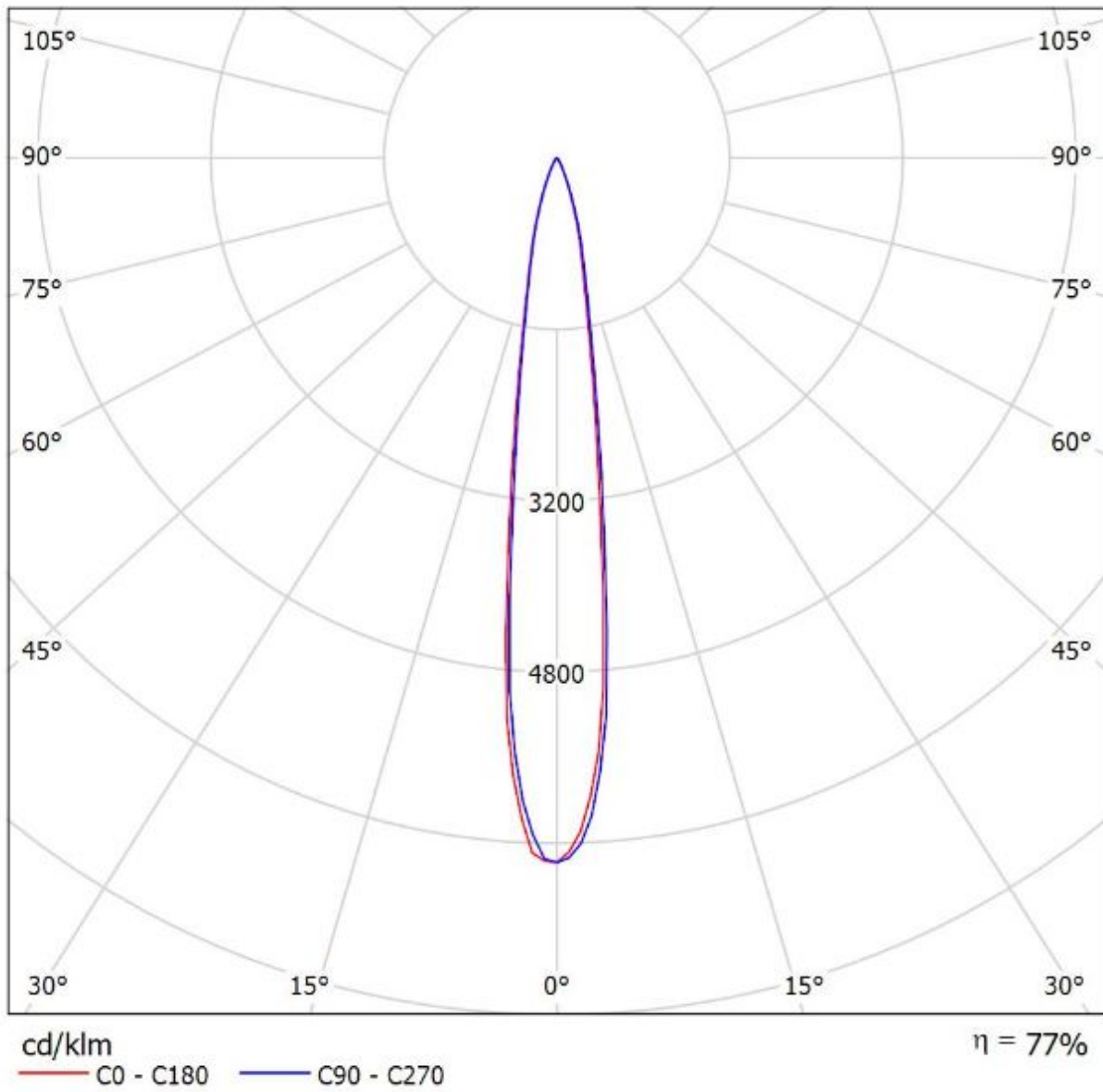


cd/klm

— C0 - C180 — C90 - C270

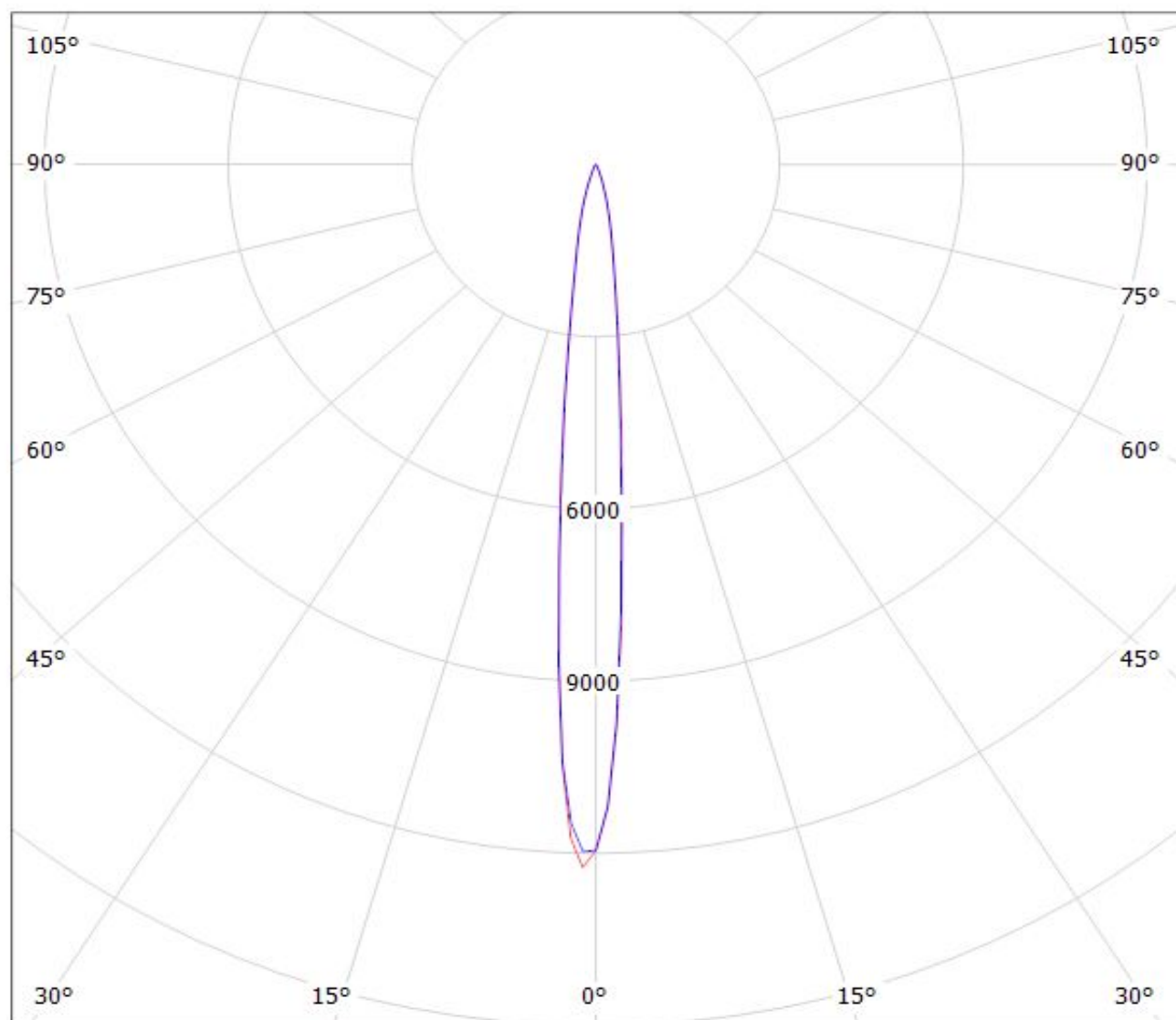
$\eta = 77\%$

Luminaire: LEDiL Oy CP15212_CARMEN-S-B_(COB_D_LES_9.8mm)_
Lamps: 1 x Samsung_COB_D_series_LES_9.8mm_LC013D_CCT=4000K_561.18lm@100mA_P=3.27945W_I=0.100A



Luminaire: Ledil CP15212_CARMEN-S-B_(MJT_6W_Les6)

Lamps: 1 x Seoul_MJT_6W_Les6mm_(SAWx0661A)_840.279lm@180mA_P=6.52554W_I=0.18A



cd/klm

— C0 - C180

— C90 - C270

$\eta = 77\%$

NOTE: The typical divergence will be changed by different color, chip size and chip position tolerance. The typical total divergence is the full angle measured where the luminous intensity is half of the peak value.

GENERAL INFORMATION

- Product series especially designed & optimized for series of LEDs.
- Special care taken to make light distribution as uniform as possible.

Note! Due to use of high power COB's with this product, special attention to proper thermal design is highly recommended. LEDiL has no liability for direct, indirect or consecutive damages arising from the LEDiL products being used outside of the recommended temperature range.