

3EQ1

SAFETY ORGANIZATION(S):

THIS FILTER HAS BEEN FORMALLY RECOGNIZED, CERTIFIED OR APPROVED BY THE LISTED AGENCY. THEREFORE, ALL TEST/REQUIREMENTS SPECIFIED IN THE LATEST REVISION OF THE FOLLOWING AGENCY STANDARDS HAVE BEEN MET.

UL RECOGNIZED  
CSA CERTIFIED  
VDE APPROVED  
SEV APPROVED

UL 1283  
CSA 22.2, NO.0,0.4,8  
VDE 565-3  
SEV 1055/TP1977/5.1.1

OPERATING SPECIFICATIONS:

LINE VOLTAGE/CURRENT: 3 AMP, 120/250 VAC  
2 AMP./40°C, 250 VAC  
LINE FREQUENCY: 50-60Hz

MAX. LEAKAGE CURRENT, EACH: .25 mA at 120V 60Hz  
LINE TO GROUND: .42 mA at 250V 50Hz

OPERATING AMBIENT TEMP. RANGE: -10°C TO +40°C @ RATED CURRENT, I<sub>r</sub>

IN AN AMBIENT, T<sub>a</sub>, HIGHER THAN 40°C, THE MAXIMUM OPERATING CURRENT, I<sub>o</sub>, IS AS FOLLOWS:

$$I_o = I_r \sqrt{\frac{85 - T_a}{45}}$$

RELIABILITY SPECIFICATIONS:

STORAGE TEMPERATURE: -40°C TO +85°C  
HUMIDITY: 21 DAYS @ 40°C 95% RH  
CURRENT OVERLOAD TEST: 6 TIMES RATED CURRENT FOR 8 SECONDS

TEST SPECIFICATIONS:

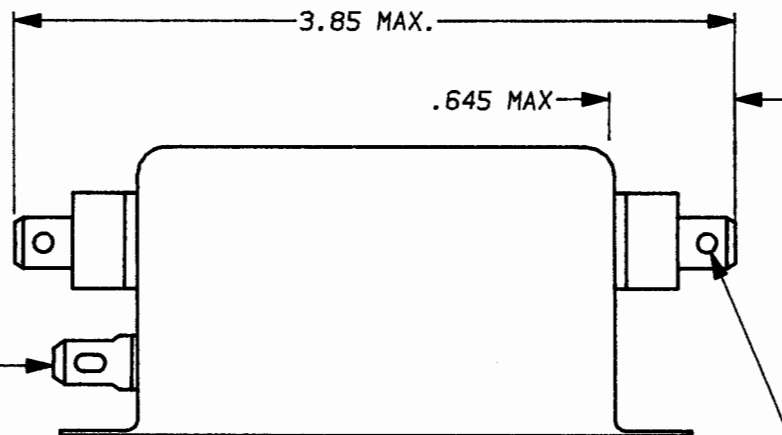
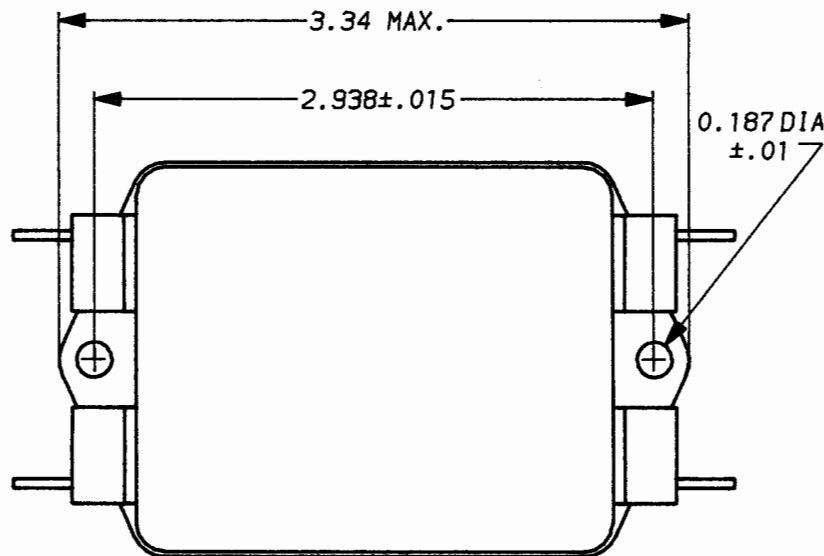
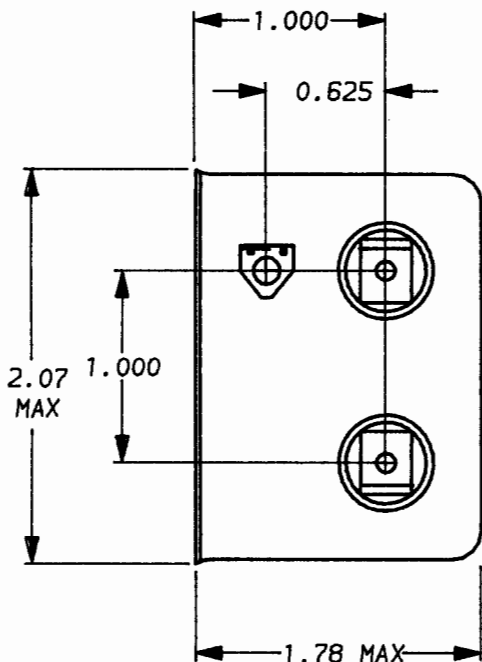
INDUCTANCE: 32.18 mH NOMINAL  
CAPACITANCE, MEASURED @ 1 KHz, 0.25VAC MAX., 25°C±1°C)  
LINE TO GROUND: .006 μF ±20%  
LINE TO LINE: 1.08 μF ±20%  
DISCHARGE RESISTOR: 270KΩ  
LINE/GROUND AND LINE/LINE: 6000MΩ (MIN) AT 100VDC  
INSULATION RESISTANCE: 20°C AND 50% RH

RECOMMENDED RECEIVING INSPECTION HIPOT:

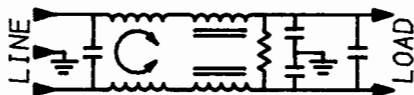
LINES TO GROUND: 2250 VDC FOR 1 MINUTE  
LINE TO LINE: 1450 VDC FOR 1 MINUTE

FILTER APPROVAL:

THE BEST WAY TO SELECT AND QUALIFY A FILTER IS FOR YOUR ENGINEERING TO TEST THE UNIT IN YOUR EQUIPMENT.



.250 FASTONS (5 PLACES)



50Ω - 50Ω (MINIMUM) INSERTION LOSS

FREQUENCY MHz	.01	.015	.02	.05	.15	.5	1	2	5	10	20	30
COMMON dB	22	25	27	36	47	47	43	44	45	45	45	45
DIFF. dB	1	2	17	42	65	75	75	70	65	65	62	60

UNLESS OTHERWISE SPECIFIED, TOLERANCE TO BE ±.025  
MATERIAL & FINISH: AS SUPPLIED  
This document is proprietary to CORCOM INC. and is not to be reproduced nor used for manufacturing purposes except on CORCOM'S prior written consent.

**corcom**  
LIBERTYVILLE, IL 60048

POWER LINE FILTER

DATE: 9-30-93

CATALOG NO.

APPROV. *TAM*

3EQ1

CAD NO.

3EQ1.05