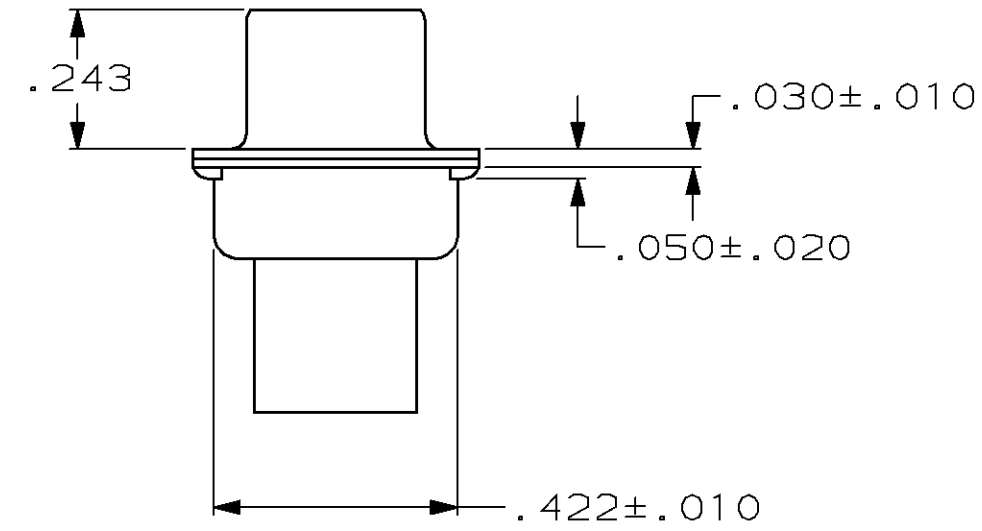
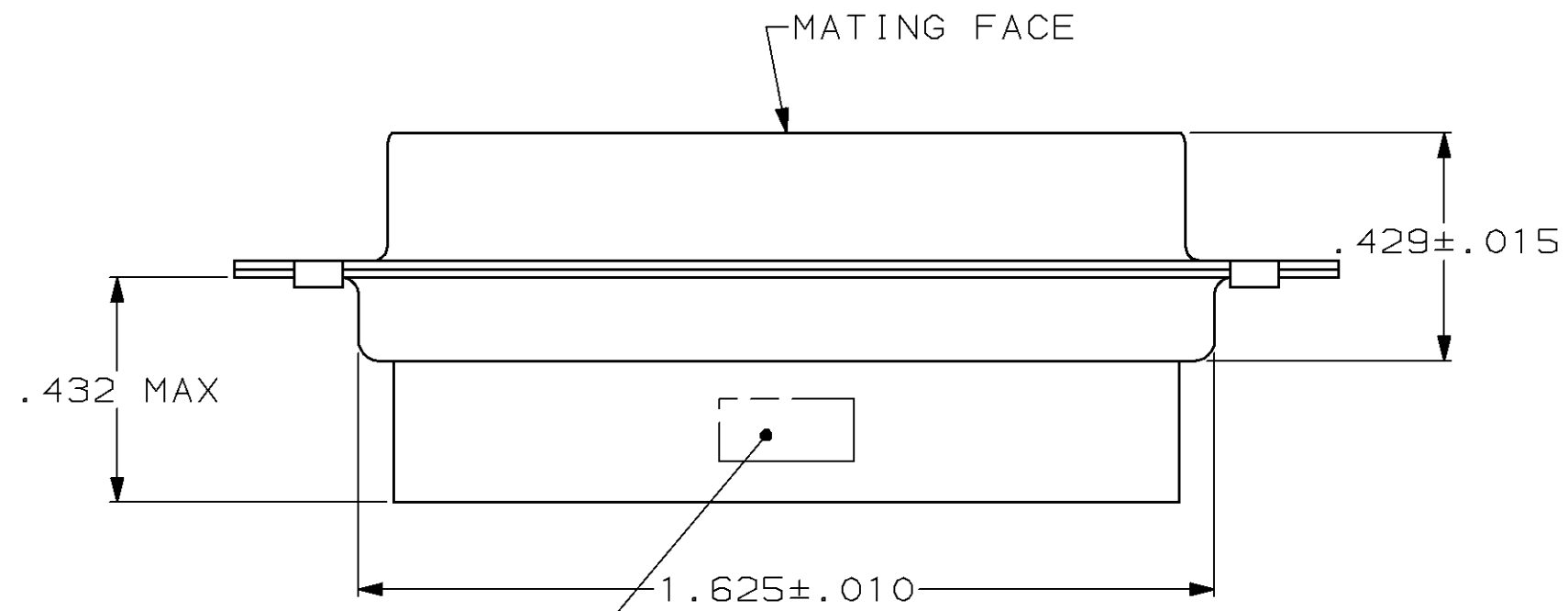
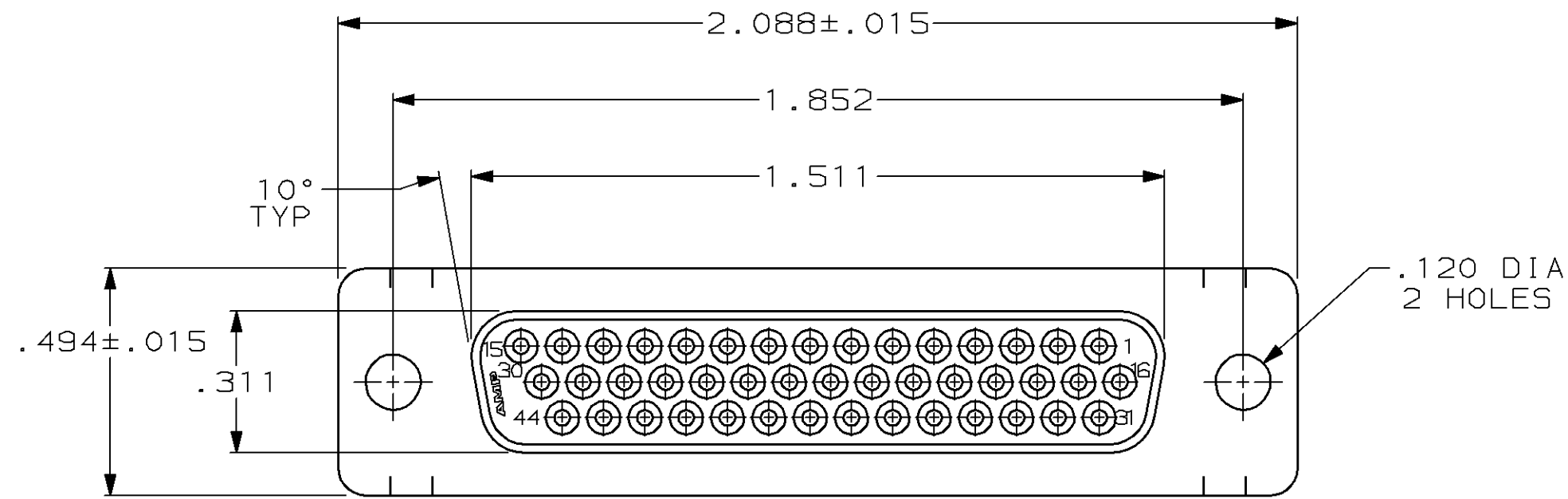


THIS DRAWING IS UNPUBLISHED. RELEASED FOR PUBLICATION .19 .  
 © COPYRIGHT 19 BY AMP INCORPORATED. ALL INTERNATIONAL RIGHTS RESERVED.

LOC	DIST	P	F	ZONE	LTR	REVISIONS	DATE	APPD
BD	39					0 REL WAS 87-4870-15	-	-
						DESCRIPTION		



AMP, PART NO & DATE CODE, MARKED IN AREA INDICATED, ON FAR SIDE

- 1. CONNECTOR ACCEPTS SIZE 22 DF SOCKET CONTACTS, RETENTION TINES ARE AN INTEGRAL PART OF INSERT.
- 2. FLAME RETARDANT 94V-0 RATED GLASS FILLED NYLON, COLOR: BLACK.
- 3. STEEL PER ASTM A109.
- 4. TIN PLATED PER MIL-T-10727.

748567-1

PART NO

DO NOT SCALE PRINT. UNLESS SPECIFIED DIMENSIONS IN INCHES TOLERANCES ON : 2 PLC DEC ± - 3 PLC DEC ± .005 ANGLES ± 2°	DR - CHK - APPD - APPD - PRODUCT SPEC -	AMP INCORPORATED Harrisburg, Pa. 17105	
MATERIAL MOLDED PARTS: 2 SHELLS: 3	APPD - APPLICATION SPEC - WEIGHT -	NAME RECEPTACLE CONNECTOR, SIZE 3, 44 POSN, AMPLIMITE®HDP-22	
FINISH SHELLS: 4	SCALE 3:1	SIZE C	FSCM NO 00779
		DRAWING NO	748567
		SHEET	1 OF 1