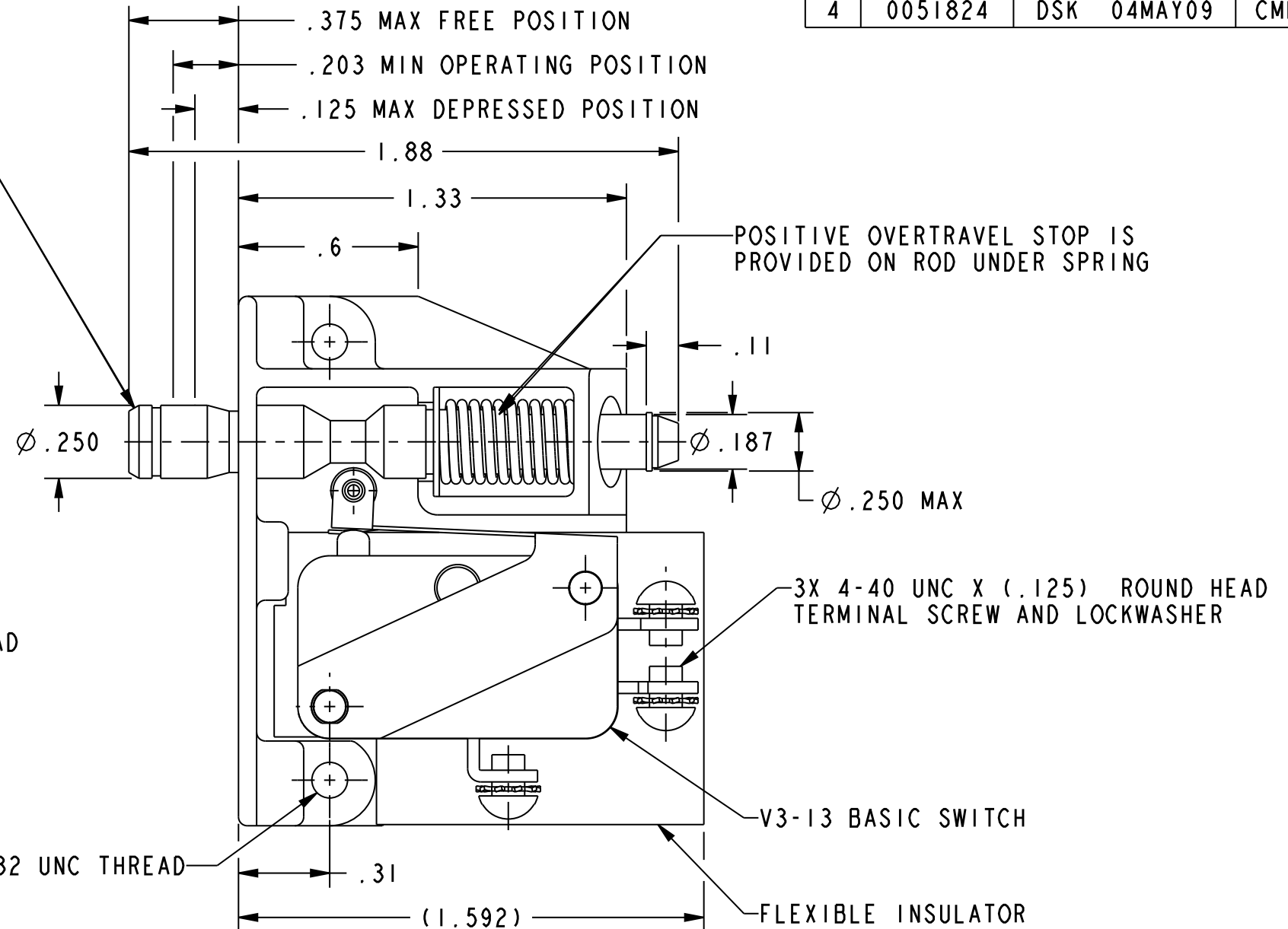
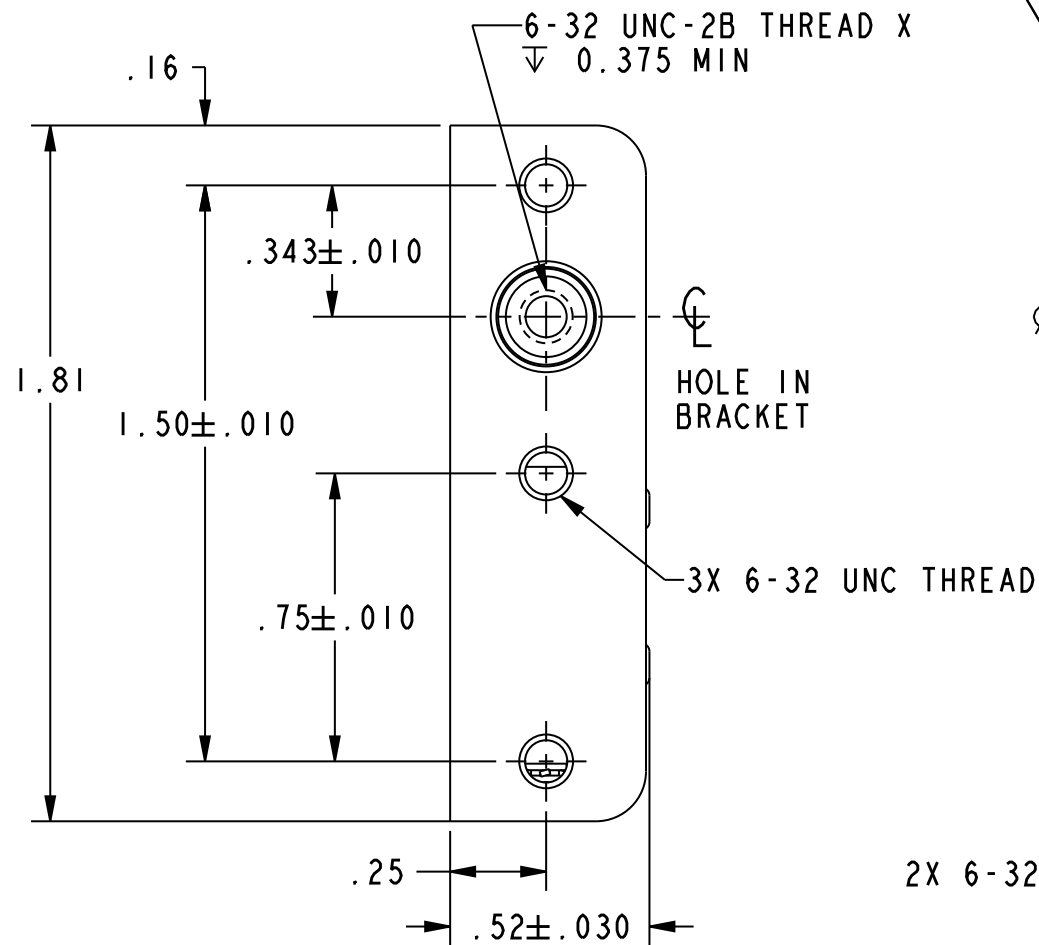


HONEYWELL PART NUMBER
3AC49
PRODUCT CODE
KC-C0490

REV	DOCUMENT	CHANGED BY	CHECK
4	0051824	DSK 04MAY09	CMH

PUSH TO OPERATE-RETURNS AUTOMATICALLY TO POSITION SHOWN
 PULL TO OPERATE-REMAINS IN OPERATED POSITION UNTIL RESET FOR AUTOMATIC RETURN BY NEXT FULL STROKE "PUSH" OPERATION



NOTES:-

- 1 - NOTCH IN ACTUATOR ROD WILL PERMIT .035 DISPLACEMENT BETWEEN END OF ROD AND HOLE IN BRACKET
- 2 - PLASTIC PARTS ARE MADE OF MINERAL FILLED PHENOLICS
- 3 - WITH ROD IN EITHER ACTUATED POSITION, BASIC SWITCH PLUNGER MUST HAVE .010 MIN OVERTRAVEL AND WITH ROD IN FREE POSITION BASIC SWITCH PLUNGER MUST HAVE .005 MIN RELEASE TRAVEL

RELEASE NO. SR-11230

CHARACTERISTICS	ELECTRICAL DATA	DESIGN UNITS: INCH	DRAWN	KDR	11SEP96	Honeywell				
		TOLERANCES UNLESS NOTED:	CHECK	-	-					
TOTAL TRAVEL .250 APPROX PUSH DIRECTION .187 APPROX PULL DIRECTION	CONTACT ARRANGEMENT S P D T	NO PLACES .x ± ONE PLACE .x ± TWO PLACE .xx ± THREE PLACE .xxx ± ANGLES x ±	- THIS DRAWING COVERS A PROPRIETARY ITEM AND IS THE PROPERTY OF HONEYWELL. THIS DRAWING IS NOT TO BE COPIED OR USED WITHOUT THE PERMISSION OF HONEYWELL.			TITLE ASSEMBLY-SWITCH				
FULLY DEPRESSED FORCE---4 LB MAX	15.1A 1/2 HP 125 OR 250 VAC 1/2A 125 VDC, 1/4A 250 VDC 5A 125 VAC "L"	THIRD ANGLE PROJECTION	- INTERPRET PER ANSI Y14.5M-1982 OTHER HONEYWELL ENGINEERING STANDARDS MAY APPLY							SIZE
			Pro/ENGINEER 3D			B	I	-	3AC49	4
						SCALE	2:1		SHEET	1 OF 1