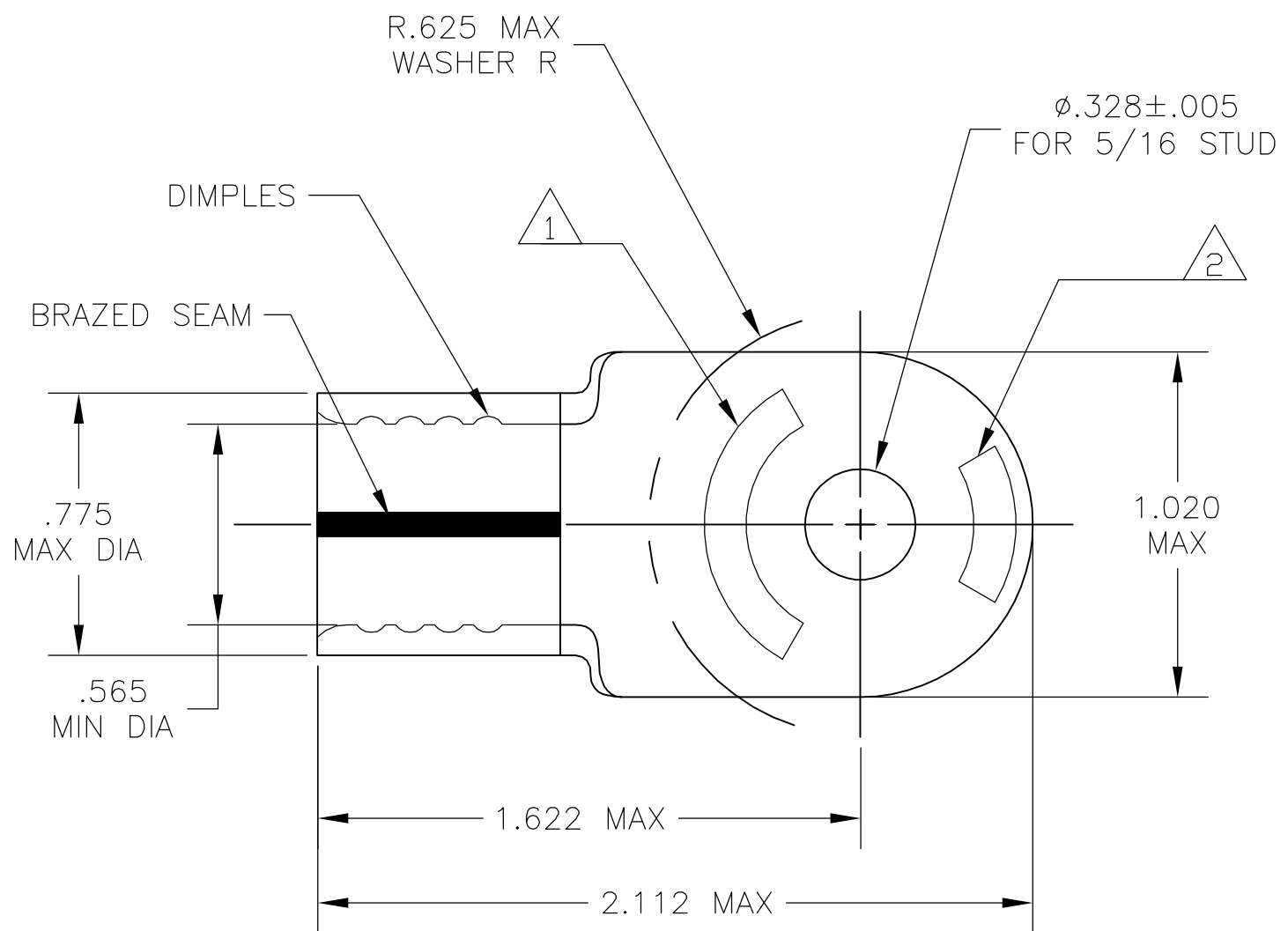


THIS DRAWING IS UNPUBLISHED. RELEASED FOR PUBLICATION  
 © COPYRIGHT BY TYCO ELECTRONICS CORPORATION. ALL RIGHTS RESERVED.

LOC	DIST	REVISIONS					
		P	LTR	DESCRIPTION	DATE	DWN	APVD
G	14						
			D1	REV PER ECR 06-026429	09NOV06	JR	TM

<b>AMP</b> WIRE RANGE	Listed FILE E13288	LR7189 Certified	MILITARY P/N AND CLASS
3/0 AWG SOLID OR STRANDED	3/0 AWG STRANDED	3/0 AWG SOLID OR STRANDED	MS 20659-155 CLASS 2



- 1 STAMP AMP 3/0W\* APPROX AS SHOWN
- 2 STAMP 150 APPROX AS SHOWN
- 3 MATERIAL THK: 0.91±.003
- 4 MATERIAL: COPPER PER ASTM B-152, ANNEALED
- 5 FINISH: .000100 MIN THK TIN PLATE PER ASTM B-545
- 6 MAX OPERATING TEMP 170°C
- 7 CIRCULAR MIL AREA — 76.3–96.3mm<sup>2</sup> [ 150,000–190,000 ] SOLID OR STRANDED

321874  
PART NO.

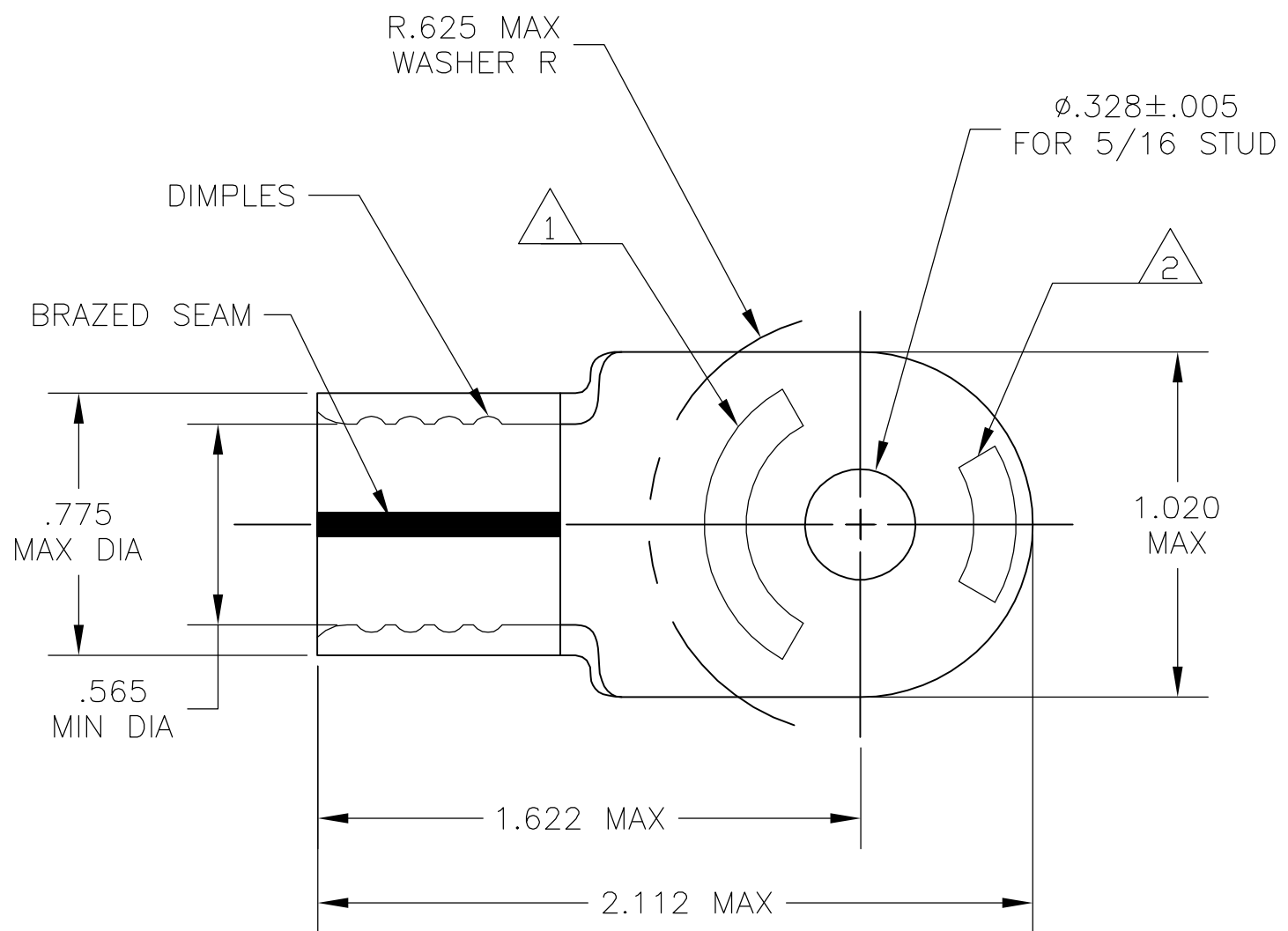
THIS DRAWING IS A CONTROLLED DOCUMENT.		DWN DK SCHRUM 11/27/91	Tyco Electronics Corporation Harrisburg, PA 17105-3608	
DIMENSIONS: INCHES		CHK RD HEIM 1/10/92		
TOLERANCES UNLESS OTHERWISE SPECIFIED:		APVD CR RHOADS 1/10/92	NAME TERMINAL, RING TONGUE, SOLISTRAND	
0 PLC ± -		PRODUCT SPEC	SIZE	
1 PLC ± -		APPLICATION SPEC	CAGE CODE	
2 PLC ± 0.20[.008]		—	DRAWING NO	
3 PLC ± -		—	RESTRICTED TO	
4 PLC ± -		—	A300779 C-321874	
ANGLES ± -		WEIGHT	SCALE	
FINISH		—	2:1	
- 4		CUSTOMER DRAWING		SHEET
- 5		SCALE 2:1		1 OF 2
		REV		D1

THIS DRAWING IS UNPUBLISHED. RELEASED FOR PUBLICATION  
 © COPYRIGHT - BY TYCO ELECTRONICS CORPORATION. ALL RIGHTS RESERVED.

LOC	DIST	REVISIONS			
P	LTR	DESCRIPTION	DATE	DWN	APVD
G	14	SEE SHEET 1	-	-	-

**AMP**  
WIRE RANGE

3/0 AWG  
SOLID OR STRANDED



- 1 STAMP AMP 3/0W\* APPROX AS SHOWN
- 2 STAMP 150 APPROX AS SHOWN
- 3 MATERIAL THK: 0.91 ± .003
- 4 MATERIAL: COPPER PER ASTM B-152, ANNEALED
- 5 FINISH: .000300 MIN THK NICKEL PLATE PER ASTM QQ-N-290
- 6 MAX OPERATING TEMP 343°C
- 7 CIRCULAR MIL AREA - 76.3-96.3mm<sup>2</sup> [ 150,000-190,000 ] SOLID OR STRANDED

321874-2  
PART NO.

THIS DRAWING IS A CONTROLLED DOCUMENT.		DWN DK SCHRUM 11/27/91	Tyco Electronics Corporation Harrisburg, PA 17105-3608				
DIMENSIONS: INCHES		CHK RD HEIM 1/10/92					
TOLERANCES UNLESS OTHERWISE SPECIFIED:		APVD CR RHOADS 1/10/92	NAME				
0 PLC ± - 1 PLC ± - 2 PLC ± 0.20[.008] 3 PLC ± - 4 PLC ± - ANGLES ± -		PRODUCT SPEC	TERMINAL, RING TONGUE, SOLISTRAND				
MATERIAL - 4		FINISH - 5	APPLICATION SPEC	SIZE	CAGE CODE	DRAWING NO	RESTRICTED TO
			WEIGHT -	A3	00779	C-321874	-
CUSTOMER DRAWING			SCALE 2:1	SHEET 2 OF 2	REV D1		