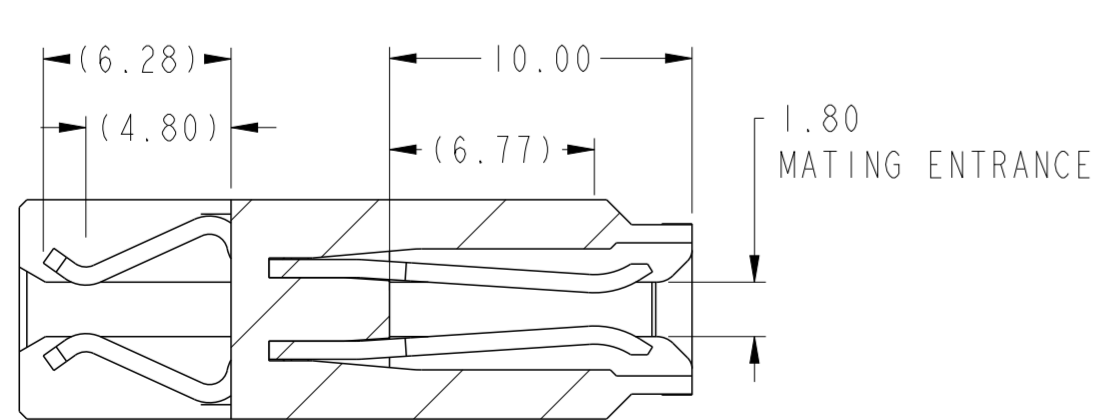
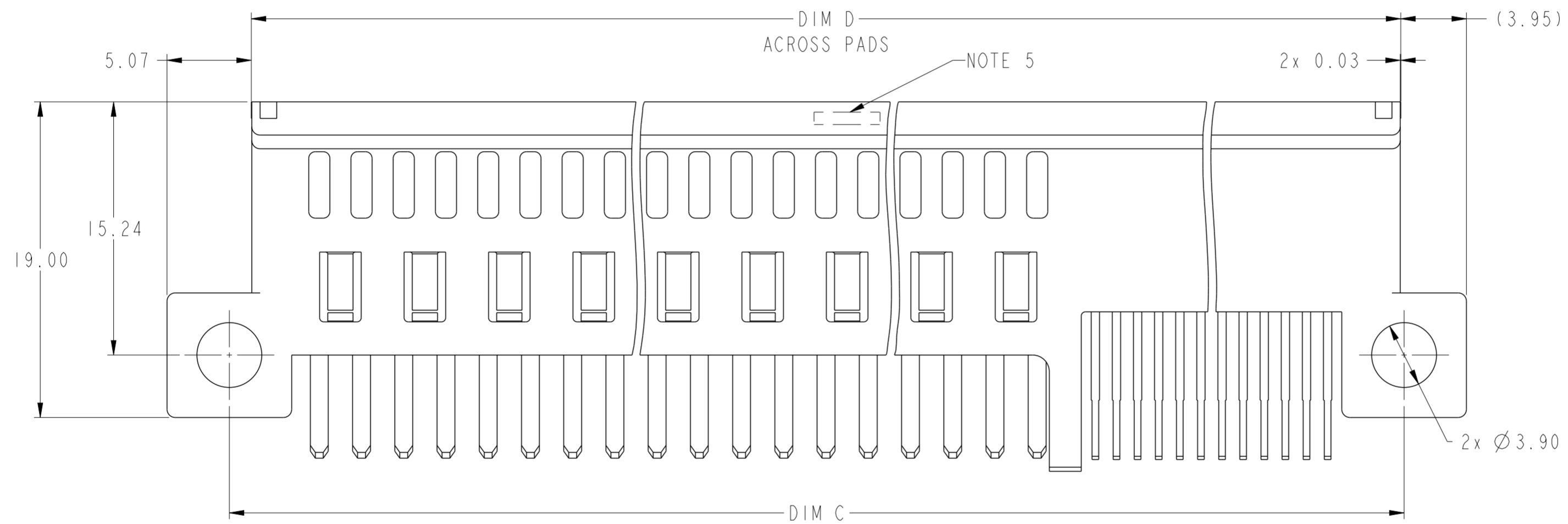
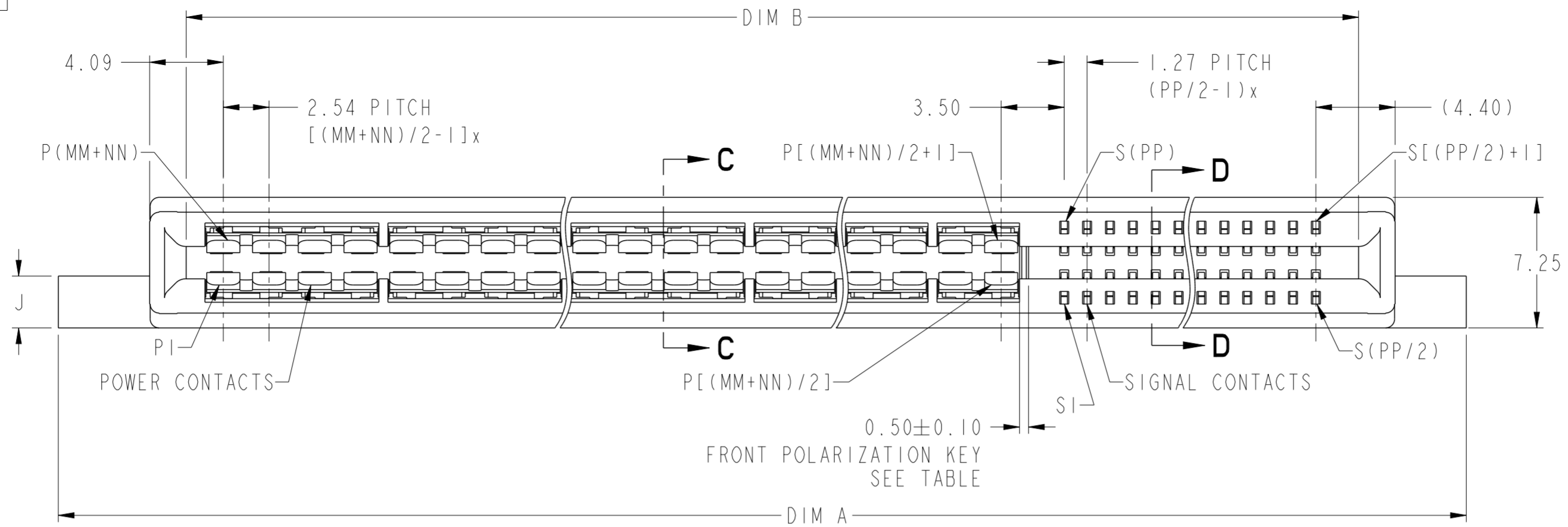
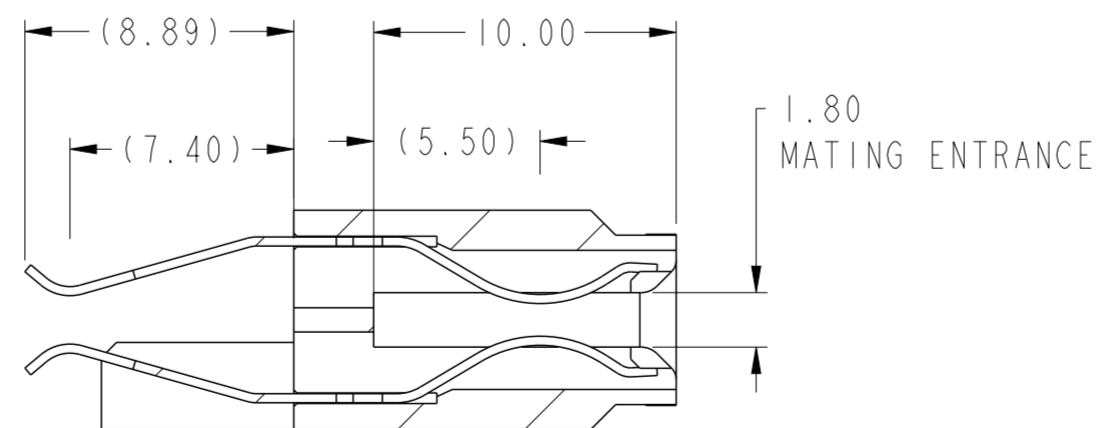


WITH MOUNTING ERRS



SECTION C-C



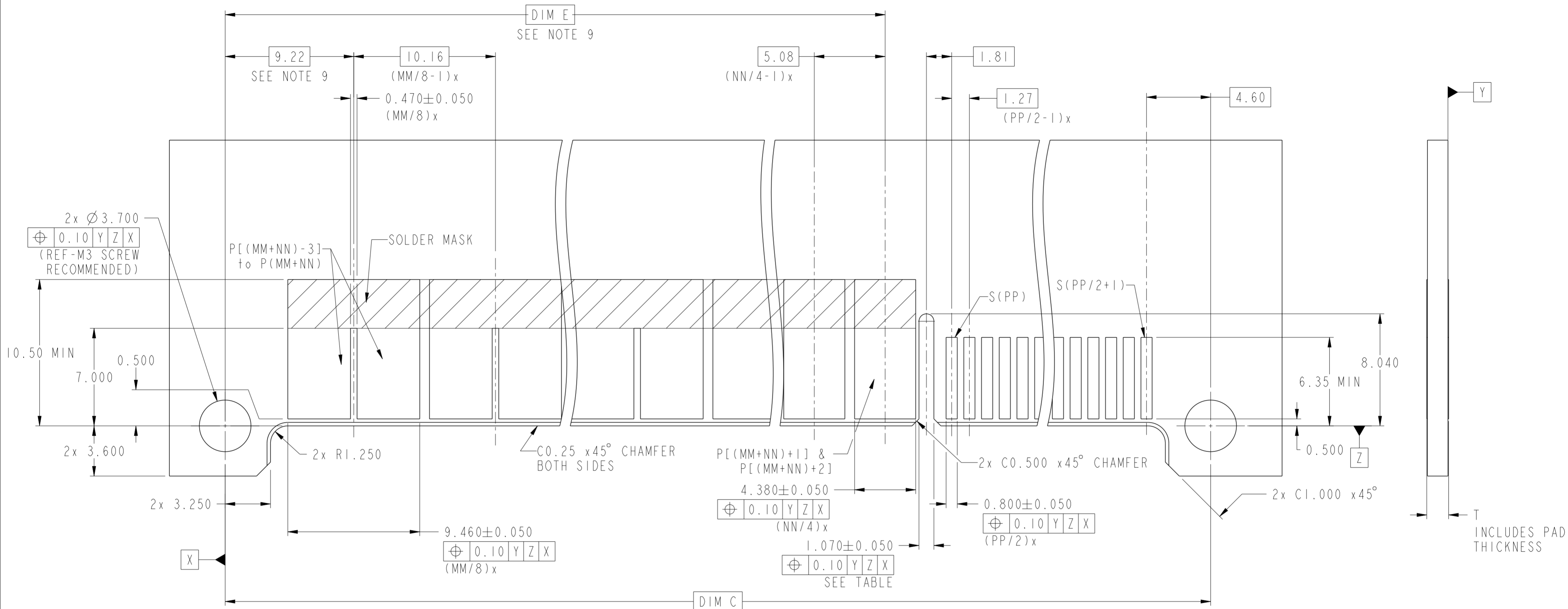
SECTION D-D

spec ref	-	dr	Liu Jenson	2013/08/19	projection	MM	size	A2	scale	4:1
tolerance std	ISO 406 ISO 1101	eng	Leborn Luo	2018/01/05			ecn no	ELX-DG-24594-1		
TOLERANCES UNLESS OTHERWISE SPECIFIED		chr	Feng Zheng	2018/01/11				rel level	Released	
surface	linear	0.X	±0.5	0.XX	±0.25	0.XXX	±0.10	Amphenol FCI		
ISO 1302	angular	0°	±2°	HPCE STMT REC		cat. no.		Product - Customer Drw		sheet 1 of 6
		apppr		Pai-Ming Zheng	2018/01/11	product family	CARD EDGE		rel level	Released
		title		UNIVERSAL CUSTOMER DRAWING		dwg no	10126933		rev	C

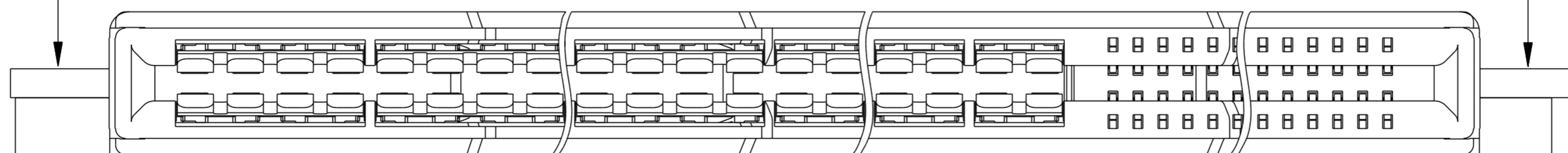
Amphenol FCI

© 2016 APCI

WITH MOUNTING ERRS



RECOMMENDED HOST BOARD LAYOUT AS VIEWED



spec ref	-	dr	Liu Jenson	2013/08/19	projection	MM	size	A2	scale	2:1
tolerance std	ISO 406 ISO 1101	eng	Leborn Luo	2018/01/05			ecn no	ELX-DG-24594-1		
surface	linear	chr	Feng Zheng	2018/01/11			rel level	Released		
	angular	appr	Pei-Ming Zheng	2018/01/11	product family	-	dwg no	10126933		
					Amphenol FCI	HPCE STMT REC	rev	C		
					UNIVERSAL CUSTOMER DRAWING	cat. no.	Product - Customer Drw	sheet 2 of 6		

PDS: Rev :C

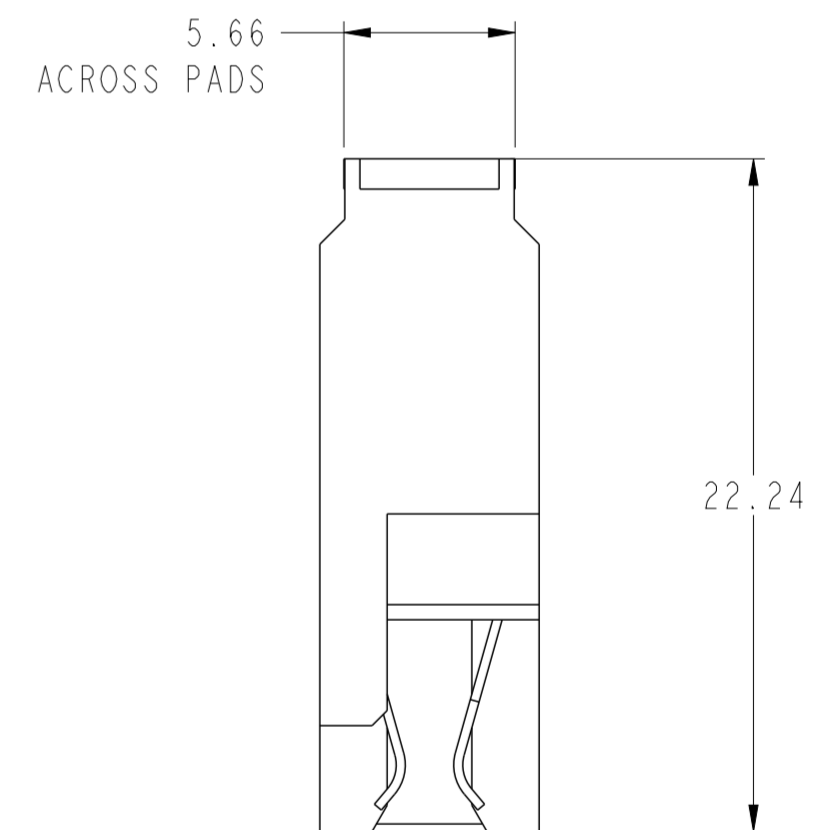
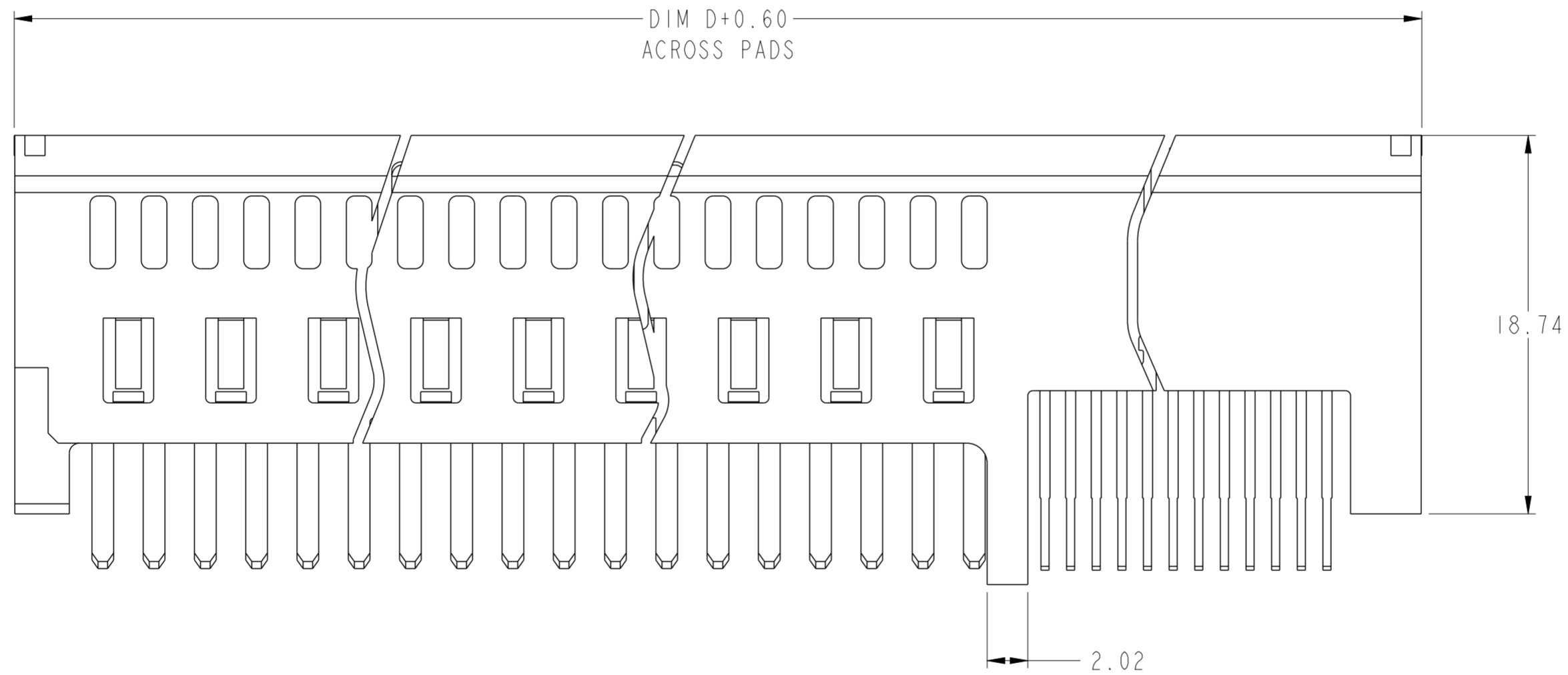
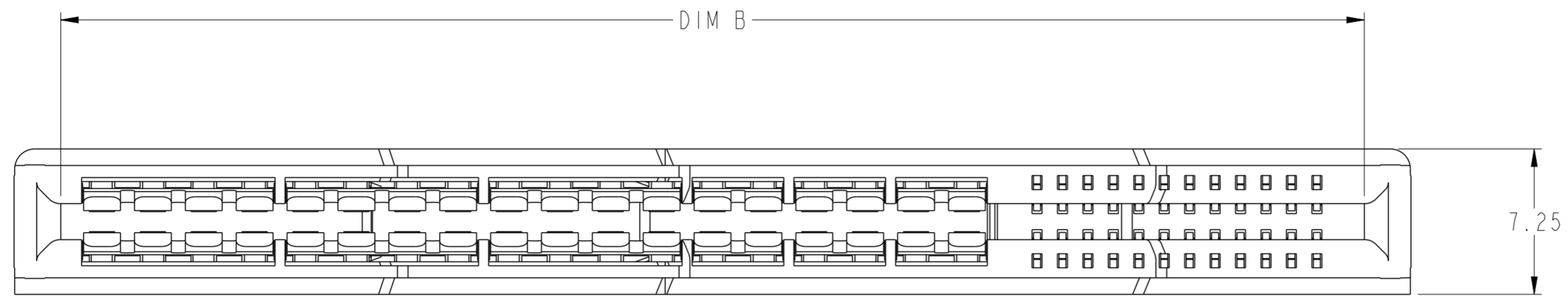
STATUS:Released

Printed: Jan 11, 2018

Amphenol FCI

© 2016 AFCI

WITHOUT MOUNTING EARS



NOTES:
OTHER DIMENSIONS ARE THE SAME AS THE DRAWING WITH MOUNTING EARS.

spec ref	-	dr	Liu Jenson	2013/08/19	projection	MM	size	A2	scale	4:1		
tolerance std	ISO 406 ISO 1101	eng	Leborn Luo	2018/01/05			ecn no	ELX-DG-24594-1				
TOLERANCES UNLESS OTHERWISE SPECIFIED		chr	Feng Zheng	2018/01/11			rel level	Released				
		appr	Pai-Ming Zheng	2018/01/11			product family	CARD EDGE				
surface	ISO 1302	linear	0.X	±0.5			title	HPCE STMT REC			rev	C
			0.XX	±0.25			cat. no.	-			Product - Customer Drw	sheet 3 of 6
		angular	0°	±2°			cat. no.	-			Product - Customer Drw	sheet 3 of 6

PDS: Rev :C

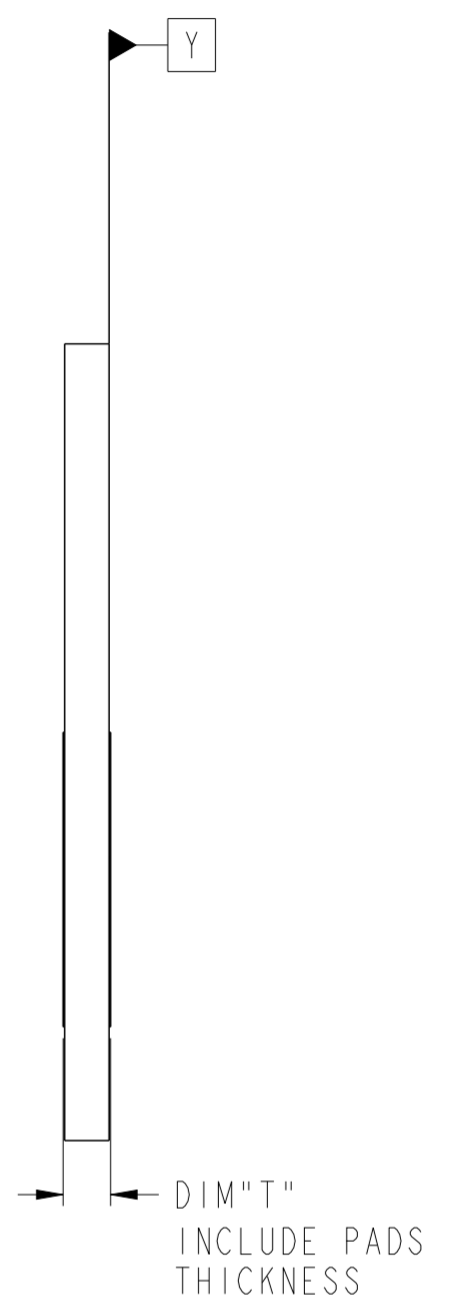
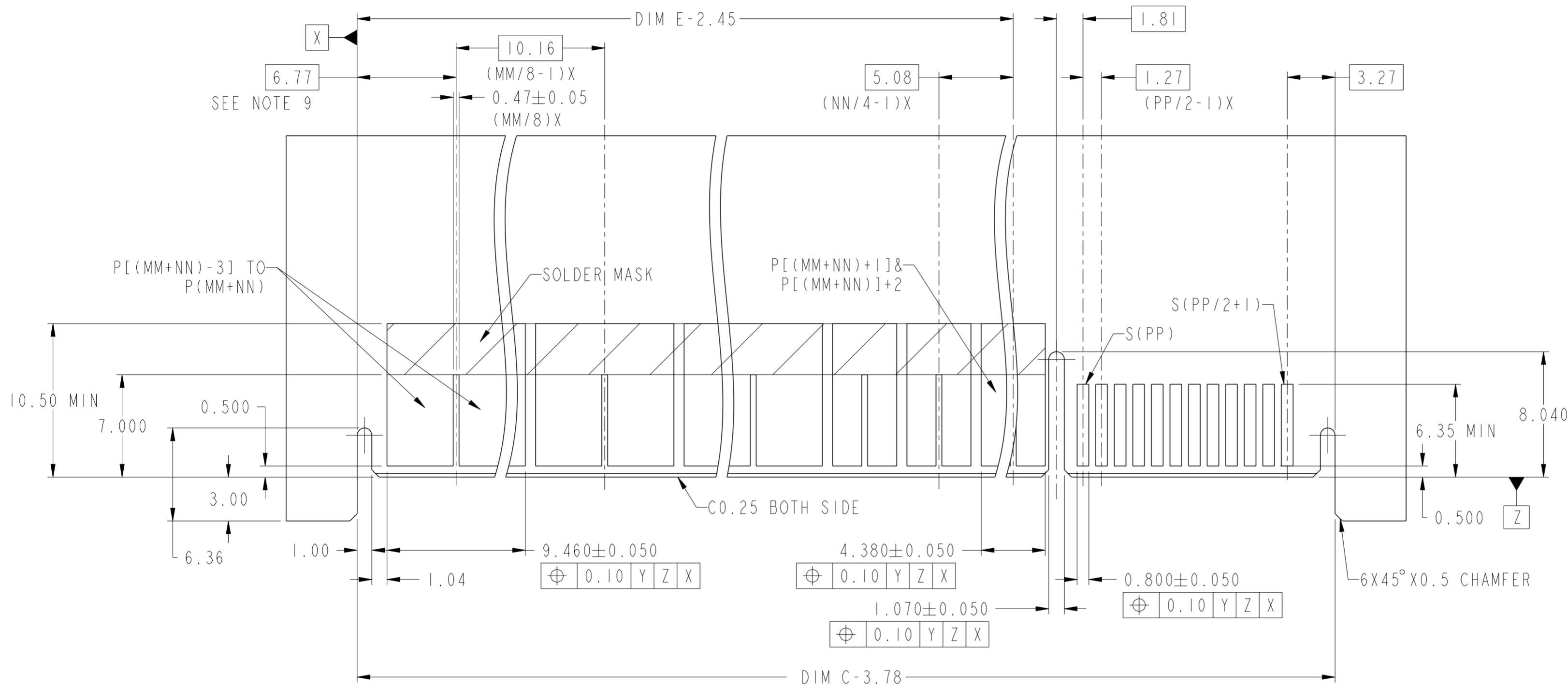
STATUS:Released

Printed: Jan 11, 2018

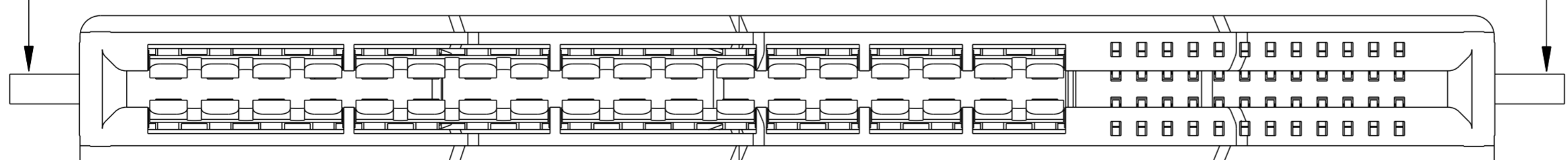
Amphenol
FCi

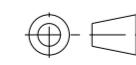
© 2016 AFci

WITHOUT MOUNTING EARS 



RECOMMENDED HOST BOARD LAYOUT AS VIEWED



spec ref	-	dr	Liu Jenson	2013/08/19	projection	MM	size	A2	scale	4:1		
tolerance std	ISO 406 ISO 1101	eng	Leborn Luo	2018/01/05		CARD EDGE	ecn no	ELX-DG-24594-1				
TOLERANCES UNLESS OTHERWISE SPECIFIED		chr	Feng Zheng	2018/01/11			rel level	Released				
surface	ISO 1302	appr	Pei-Ming Zheng	2018/01/11			product family	HPCE STMT REC				
linear	0.X ±0.5 0.XX ±0.25 0.XXX ±0.10	Amphenol FCI			title	UNIVERSAL CUSTOMER DRAWING			dwg no	10126933	rev	C
angular	0° ±2°	cat. no.			Product - Customer Drw			sheet 4 of 6				

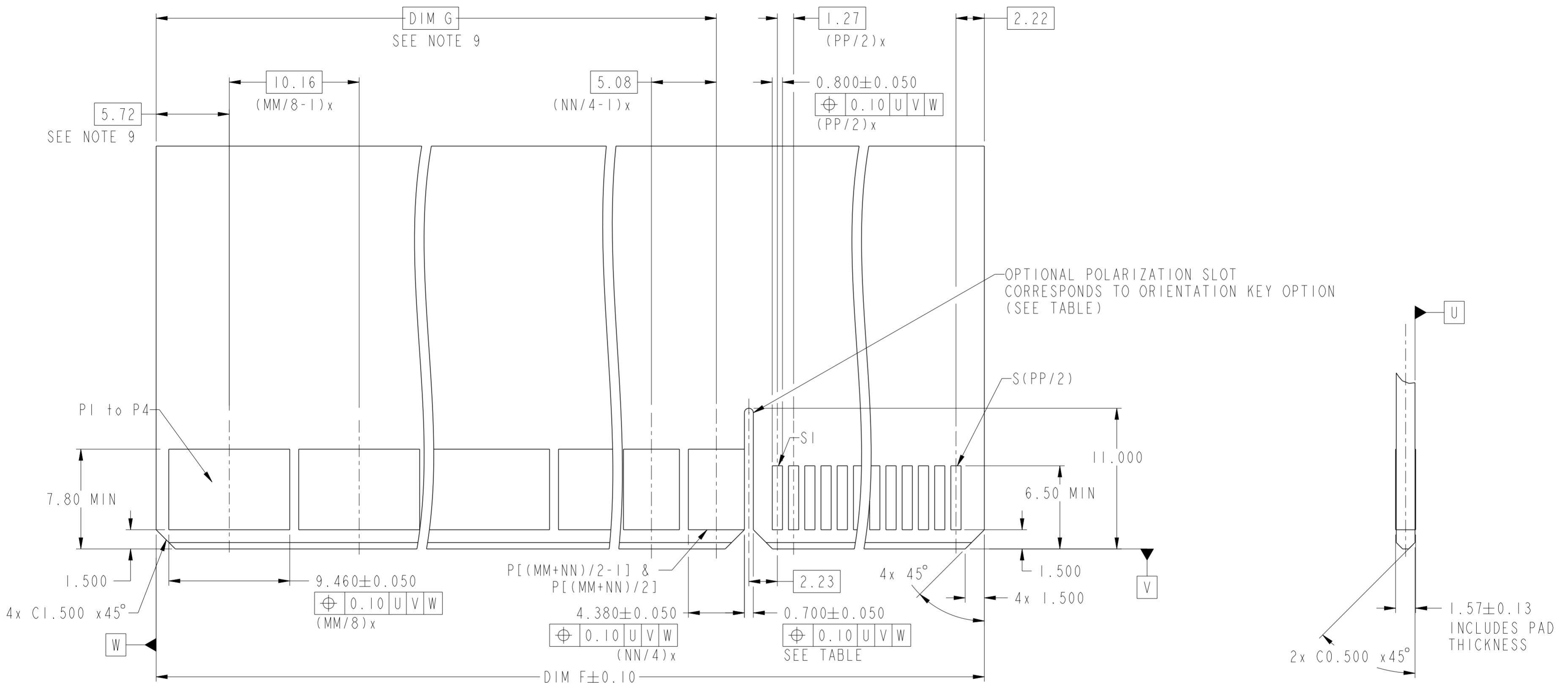
PDS: Rev :C

STATUS:Released

Printed: Jan 11, 2018

Amphenol FCI

© 2016 APCI



RECOMMENDED MATING BOARD FOOTPRINT

Amphenol
FCi

© 2016 AFci

spec ref	-	dr	Liu Jenson	2013/08/19	projection	MM	size	A2	scale	1:1		
tolerance std	ISO 406 ISO 1101	eng	Leborn Luo	2018/01/05			ecn no	ELX-DG-24594-1	rel level	Released		
TOLERANCES UNLESS OTHERWISE SPECIFIED		chr	Feng Zheng	2018/01/11								
		appr	Pai-Ming Zheng	2018/01/11								
surface	linear	0.X	±0.5		product family		-	rel level	-	rev		
		0.XX	±0.25		HPCE STMT REC						cat. no. - Product - Customer Drw	sheet 5 of 6
	angular	0°	±2°		UNIVERSAL CUSTOMER DRAWING							
ISO 1302												

A

B

C

D

E

F

A

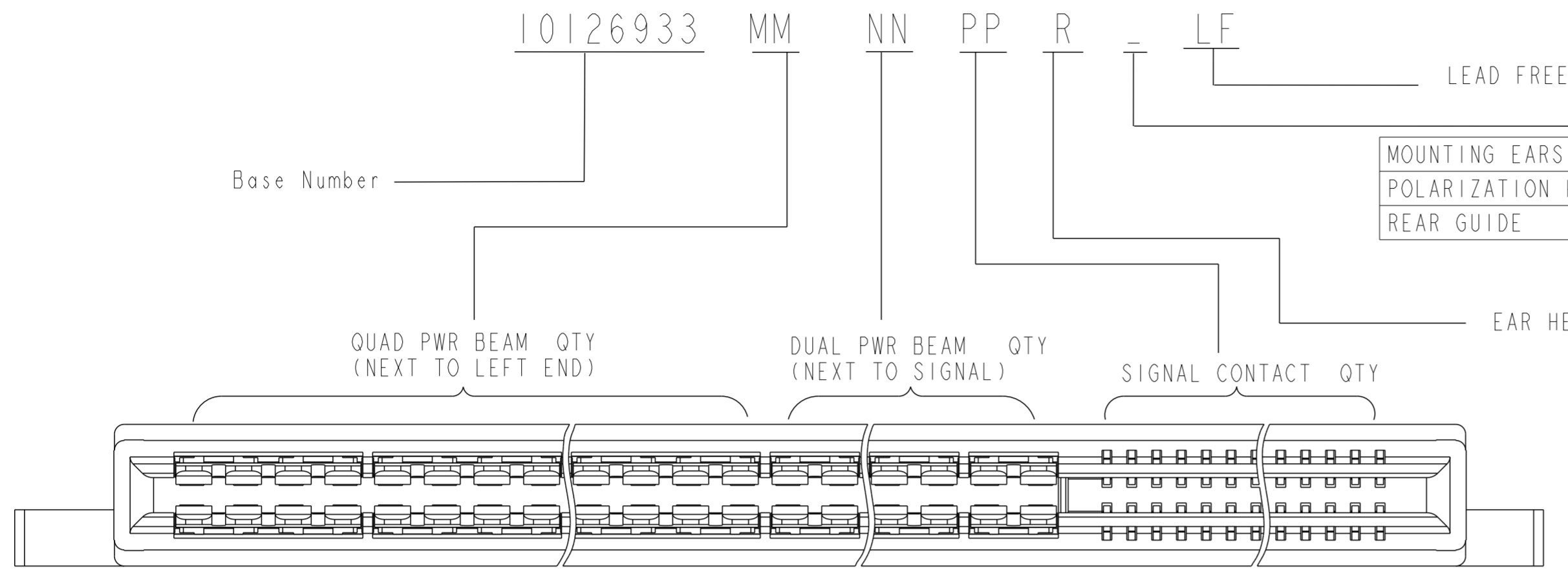
B

C

D

E

F



LEAD FREE

	A	B	C	D	E	F	G	H
MOUNTING EARS	Y	Y	Y	N	N	N	Y	N
POLARIZATION KEY	Y	N	N	Y	N	N	Y	Y
REAR GUIDE	Y	Y	N	Y	Y	N	N	N

EAR HEIGHT AND HOST BOARD THICKNESS

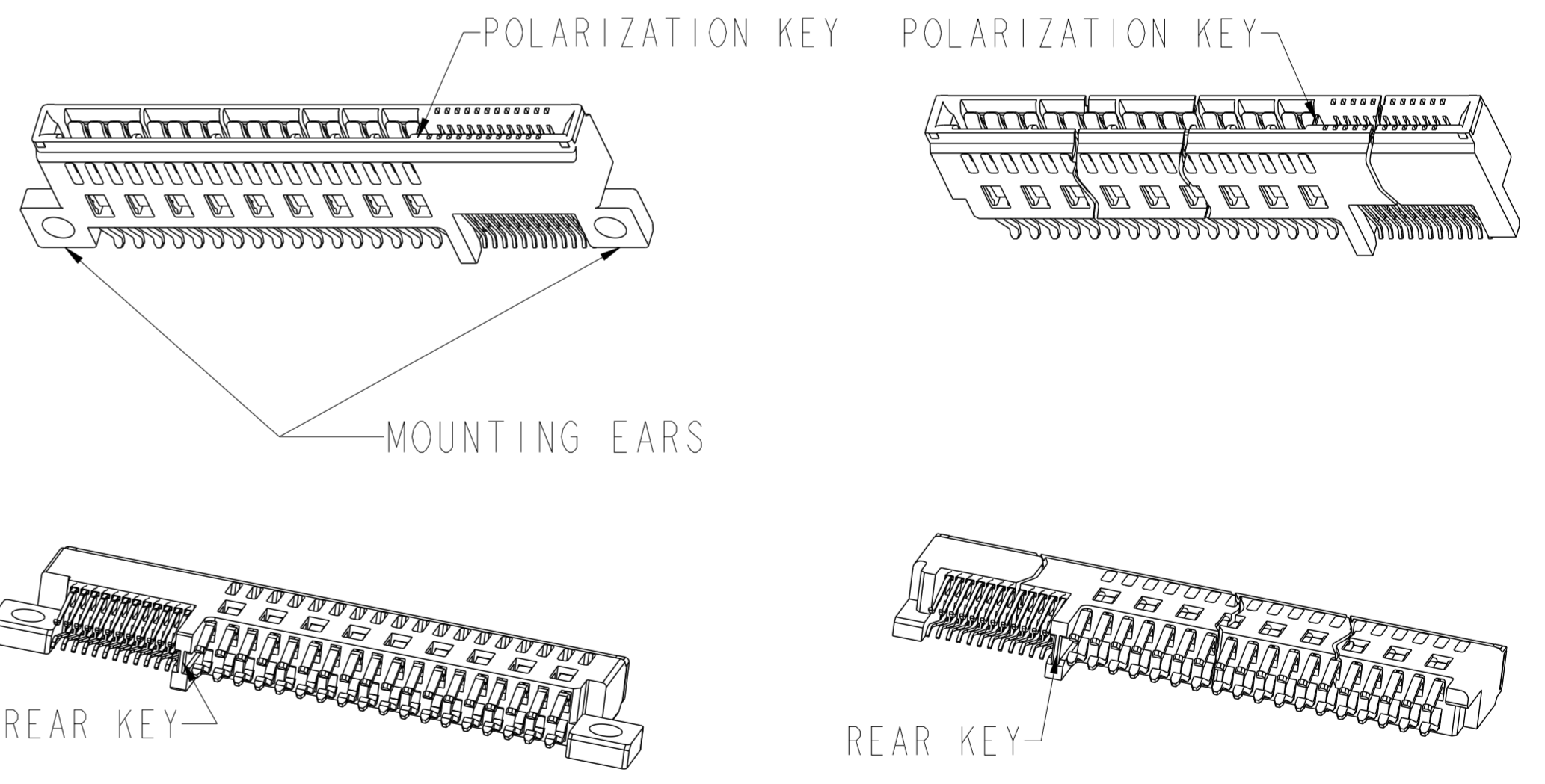
1. WITH GAP HEIGHT H=2.160mm, HOST BOARD THICKNESS T=1.83±0.13mm; IF WITH EARS, EAR HEIGHT J= 2.700mm
2. WITH GAP HEIGHT H=2.410mm, HOST BOARD THICKNESS T=2.08±0.13mm; IF WITH EARS, EAR HEIGHT J= 2.575mm
3. WITH GAP HEIGHT H=2.770mm, HOST BOARD THICKNESS T=2.44±0.13mm; IF WITH EARS, EAR HEIGHT J= 2.395mm
4. WITH GAP HEIGHT H=3.080mm, HOST BOARD THICKNESS T=2.75±0.18mm; IF WITH EARS, EAR HEIGHT J= 2.240mm
5. WITH GAP HEIGHT H=3.340mm, HOST BOARD THICKNESS T=3.01±0.18mm; IF WITH EARS, EAR HEIGHT J= 2.110mm

Example: THE CONFIGURATION ABOVE IS 101269332412241ALF \triangle
 STRADDLE MT WITH ENHANCED WALLS 36P24S WITH MOUNTING EARS,
 POLARIZATION KEY AND REAR KEY.
 24P IS 4 BEAM CONTACTS, 12P IS 2 BEAM CONTACTS.

TABLE: PART NUMBER CODE FOR HPCE MT WITH ENHANCED WALLS P+S CONFIG

NOTES:

1. CONNECTOR MATERIALS:
 HOUSING: HIGH TEMPERATURE THERMAL PLASTIC, BLACK
 UL 94V-0 COMPLIANT
 CONTACTS: HIGH PERFORMANCE COPPER ALLOY.
2. CONTACT FINISH REF. GS-12-604 SECTION 5.2.
3. PRODUCT SPECIFICATION: GS-12-604.
4. APPLICATION SPECIFICATION: GS-20-128.
5. PRODUCT MARKING (FCI - PART NUMBER & DATE CODE) ON HOUSING IN AREA SHOWN.
6. PACKAGING MEETS FCI SPECIFICATION GS-14-937.
7. HOUSING COMPONENT WILL WITHSTAND EXPOSURE TO 260°C PEAK TEMPERATURE FOR 60 SECONDS IN A CONVECTION, INFRA-RED, OR VAPOR PHASE REFLOW OVEN.
8. MAXIMUM OVERALL LENGTH IS 100mm.
 CURRENT MOLDING TOOL CAN SUPPORT 14X4BEAM, 28X2BEAM, 72X SIGNAL
9. DIM IS NOT APPLICABLE IF NO 4 BEAM CONTACT.



WITH MOUNTING EARS

WITHOUT MOUNTING EARS

DIM	TABLE 2. LENGTH FORMULAS
DIM A $\text{\textcircled{8}}$	$(MM + NN) / 2 \times 2.54 + (PP / 2) \times 1.27 + 17.2$
DIM B	DIM A - 13.08
DIM C	DIM A - 7.5
DIM D	DIM A - 9.02
DIM E $\text{\textcircled{9}}$	$(MM / 8 - 1) \times 10.16 + (NN / 4 - 1) \times 5.08 + 16.84$ (WITH 4 BEAM CONTACT) $(NN / 4 - 1) \times 5.08 + 6.68$ (WITHOUT 4 BEAM CONTACT)
DIM F	DIM A - 13.38
DIM G $\text{\textcircled{9}}$	$(MM / 8 - 1) \times 10.16 + (NN/4 - 1) \times 5.08 + 13.34$ (WITH 4 BEAM CONTACT) $(NN / 4 - 1) \times 5.08 + 3.18$ (WITHOUT 4 BEAM CONTACT)

spec ref	-	dr	Liu Jenson	2013/08/19	projection	MM	size	A2	scale	4:1
tolerance std	ISO 406 ISO 1101	eng	Leborn Luo	2018/01/05			ecn no	ELX-DG-24594-1		
TOLERANCES UNLESS OTHERWISE SPECIFIED		chr	Feng Zheng	2018/01/11				rel level	Released	
surface	linear	appr	Pei-Ming Zheng	2018/01/11	product family	CARD EDGE	cat. no.	10126933		
	angular	Amphenol FCI		HPCE STMT REC	rev	C				
		UNIVERSAL CUSTOMER DRAWING		Product - Customer Drw	sheet 6 of 6					

Amphenol FCI

© 2016 AFCI