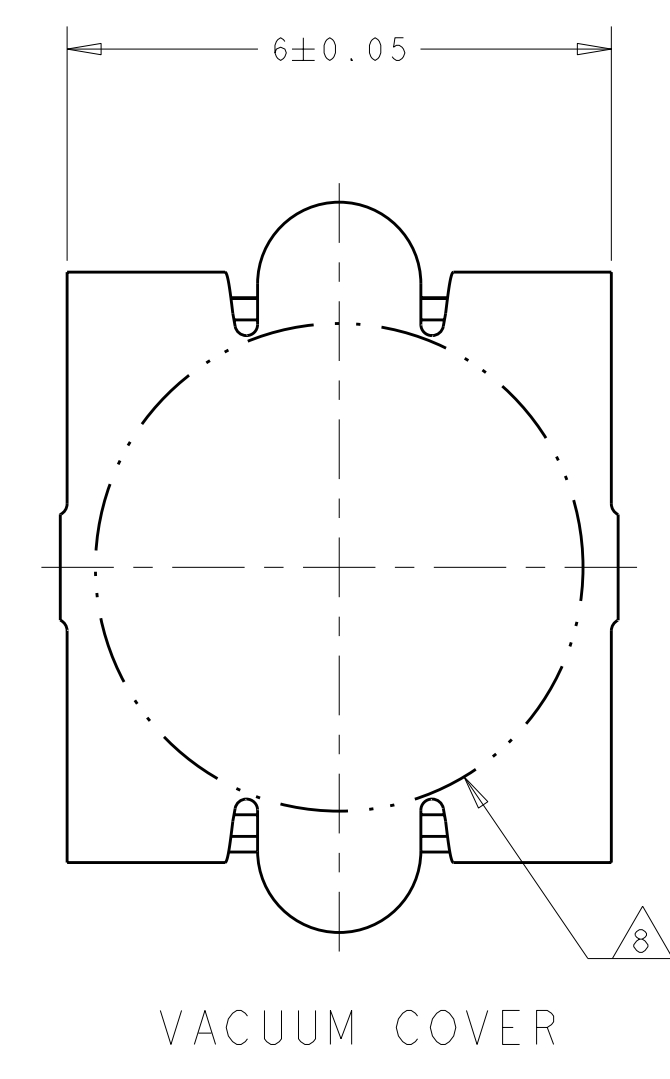
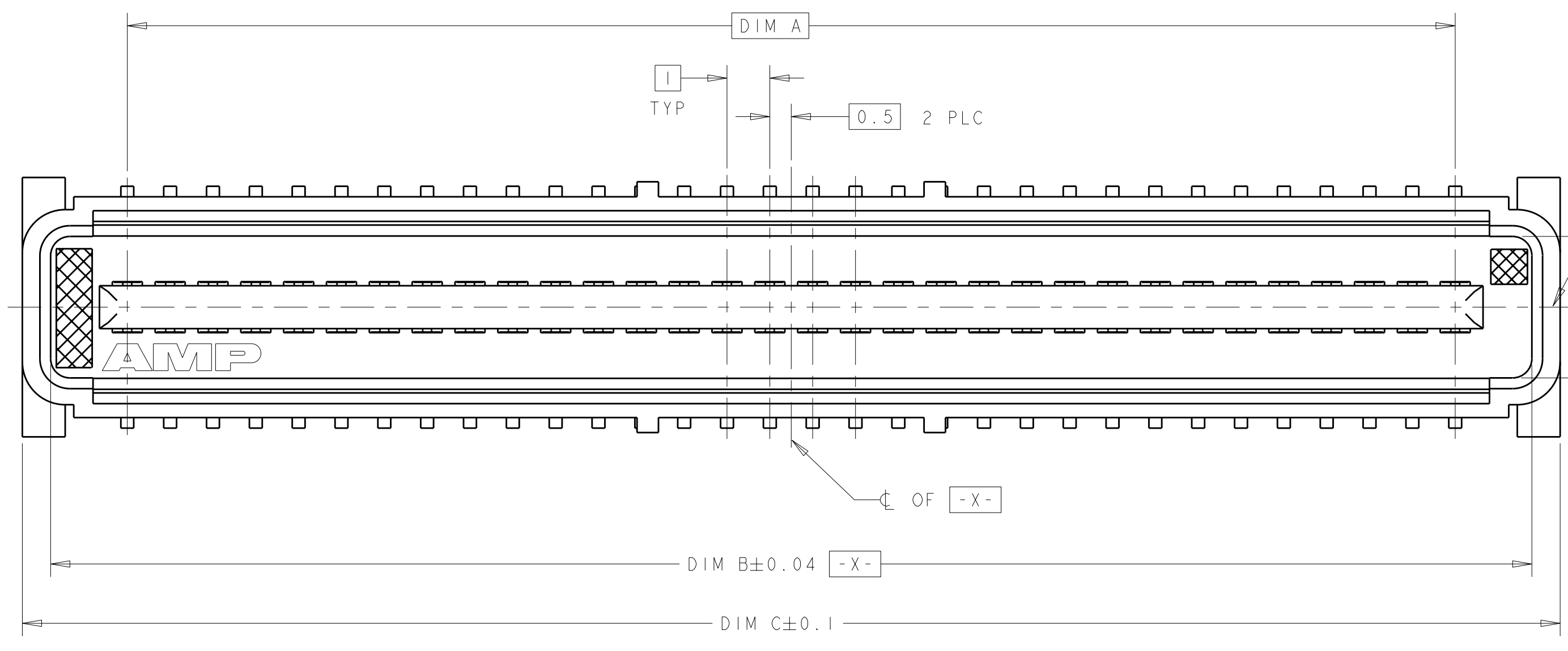
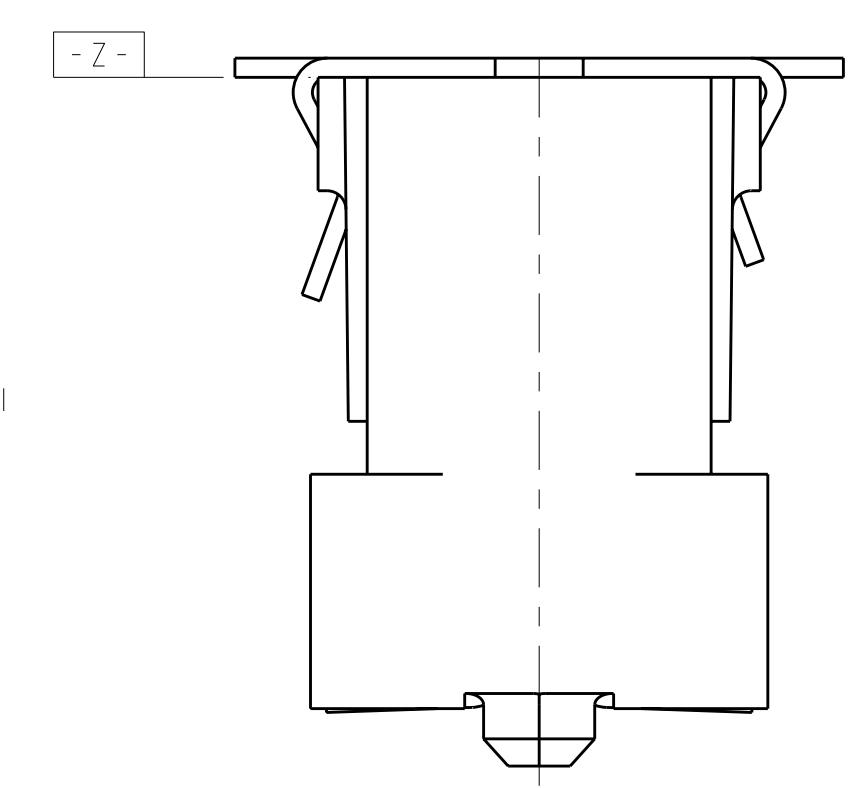
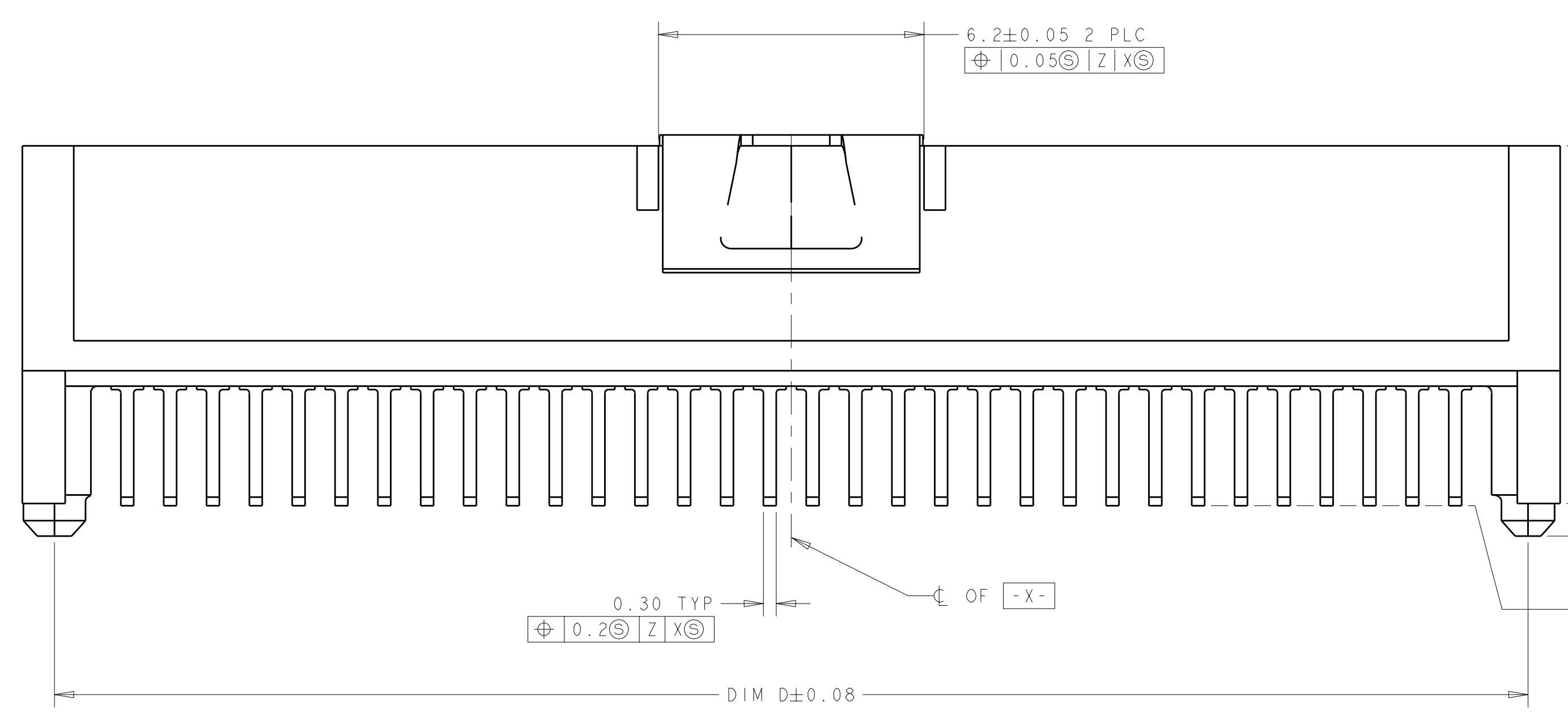


LOC	DIST	REV	DATE	DWN	APVD
AD	00				

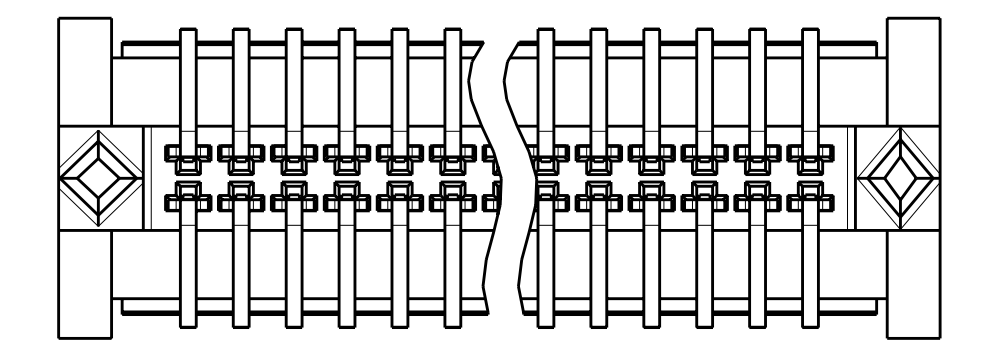
REVISIONS					
REV	DATE	DESCRIPTION	DWN	APVD	
C	05FEB2004	REVISED PER EC 0512-0417-03	RWS	RHW	
D	06FEB2007	REV PER ECO-06-026075	BC	DB	
E	10JUL2008	REVISED PER ECO-08-008615	DH	DB	
E1	26AUG2009	REVISED PER ECO-09-018464	AEG	DD	



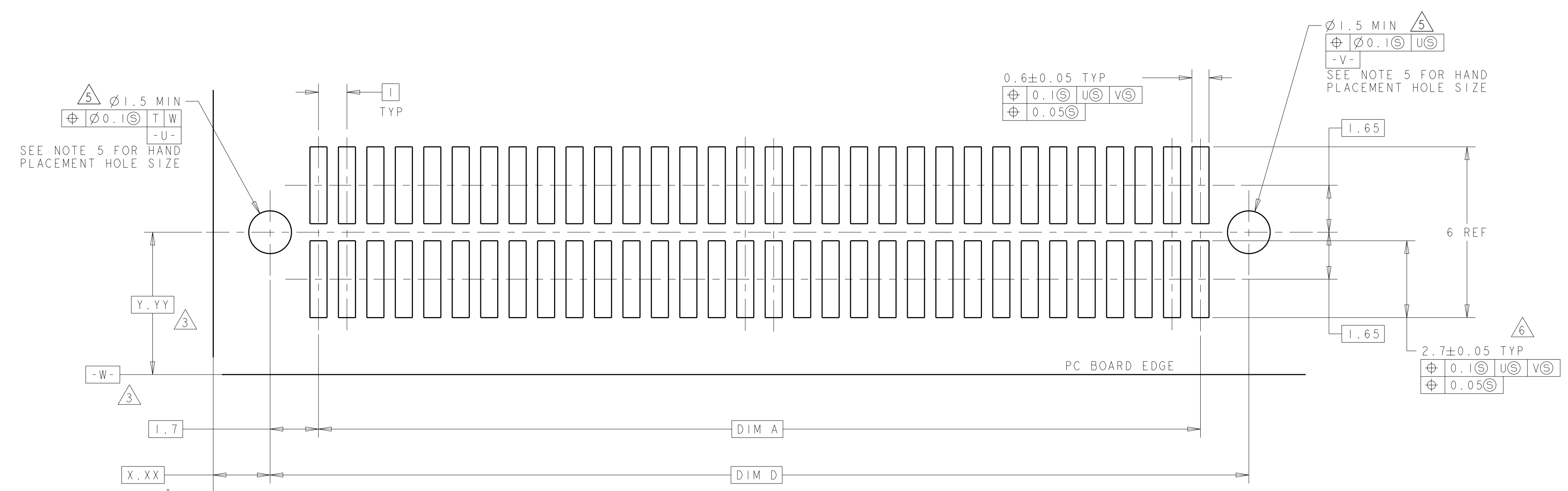
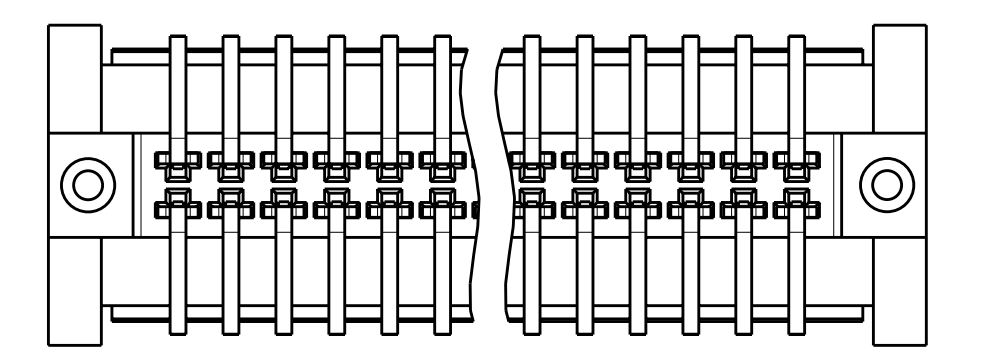
- 1 HOUSING MATERIAL: LIQUID CRYSTAL POLYMER COLOR: BLACK. CONTACT MATERIAL: PHOSPHOR BRONZE.
- 2 CONTACT FINISH: NICKEL UNDERPLATE ALL OVER, MATING SURFACES PLATED TO MEET PLI PERFORMANCE REQUIREMENTS OF INDUSTRY SPECIFICATION EIA-700AAAB, SOLDER TAILS PLATED TIN-LEAD.
- 3 DATUM LOCATIONS AND BASIC DIMENSIONS TO BE ESTABLISHED BY THE CUSTOMER. CONSULT AMP ENGINEERING WHEN PLACING MULTIPLE CONNECTORS ON A PC BOARD.
- 4 PACKAGED IN TAPE ON REELS PER EIA-841.
- 5 1.4±0.05 DIAMETER HOLE WHEN PLACED BY HAND.
- 6 SHORTER SOLDER LANDS MAY BE USED PER EIA 700AAAB, HOWEVER 2.7 LENGTH ASSURES OPTIMUM SOLDER FILLET.
- 7 REFERRED TO AS DIM N IN EIA 700AAAB SPECIFICATION.
- 8 VACUUM COVER NOT SHOWN IN SOME VIEWS FOR CLARITY.
- 9 5.5 MIN DIAMETER TARGET AREA FOR VACUUM PIPCK-UP.
- 10 CONTACT FINISH: 0.00381 MINIMUM MATTE TIN-LEAD (93-7) ON SOLDER AREA, 0.00127 MINIMUM GOLD ON MATING AREA, BOTH OVER 0.00127 MINIMUM NICKEL ON ENTIRE CONTACT.
- 11 SQUARE AND DIAMOND SHAPED POSTS.
- 12 ROUND SHAPED POSTS.



STYLE A POSTS



STYLE B POSTS



RECOMMENDED PC BOARD LAYOUT

POST STYLE	FINISH	DIM D	DIM C	DIM B	DIM A	STACK HEIGHTS	POS	AMP PART NUMBER
1	10	44.4	45.9	44.58	41	10, 12, 13, 15	84	3-146888-2
2	10	34.4	35.9	34.58	31	10, 12, 13, 15	64	3-146888-1
1	2	44.4	45.9	44.58	41	10, 12, 13, 15	84	2-146888-2
2	2	34.4	35.9	34.58	31	10, 12, 13, 15	64	2-146888-1
1	10	44.4	45.9	44.58	41	10, 12, 13, 15	84	1-146888-2
2	10	34.4	35.9	34.58	31	10, 12, 13, 15	64	1-146888-1
1	2	44.4	45.9	44.58	41	10, 12, 13, 15	84	146888-2
2	2	34.4	35.9	34.58	31	10, 12, 13, 15	64	146888-1

DIMENSIONS: mm TOLERANCES UNLESS OTHERWISE SPECIFIED: 9 PLC ± 5 PLC ±0.03 4 PLC ±0.003 ANGLES ±30°		DIMENSIONS: mm TOLERANCES UNLESS OTHERWISE SPECIFIED: 9 PLC ± 5 PLC ±0.03 4 PLC ±0.003 ANGLES ±30°		DIMENSIONS: mm TOLERANCES UNLESS OTHERWISE SPECIFIED: 9 PLC ± 5 PLC ±0.03 4 PLC ±0.003 ANGLES ±30°		DIMENSIONS: mm TOLERANCES UNLESS OTHERWISE SPECIFIED: 9 PLC ± 5 PLC ±0.03 4 PLC ±0.003 ANGLES ±30°		DIMENSIONS: mm TOLERANCES UNLESS OTHERWISE SPECIFIED: 9 PLC ± 5 PLC ±0.03 4 PLC ±0.003 ANGLES ±30°	
MATERIAL: SEE TABLE		FINISH: SEE TABLE		WEIGHT:		CUSTOMER DRAWING:		SCALE: 17:1	