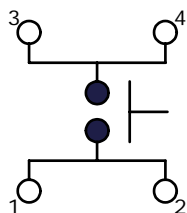
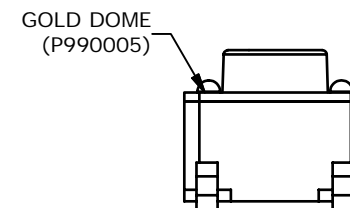
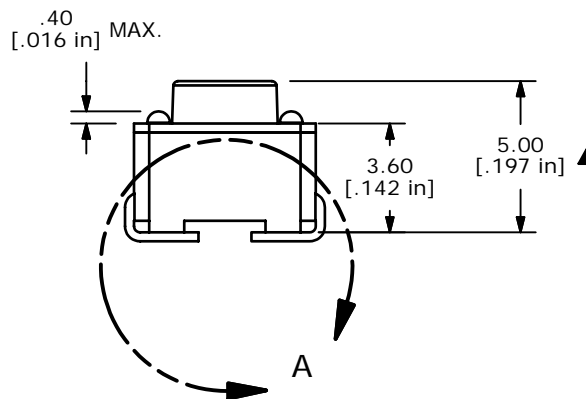


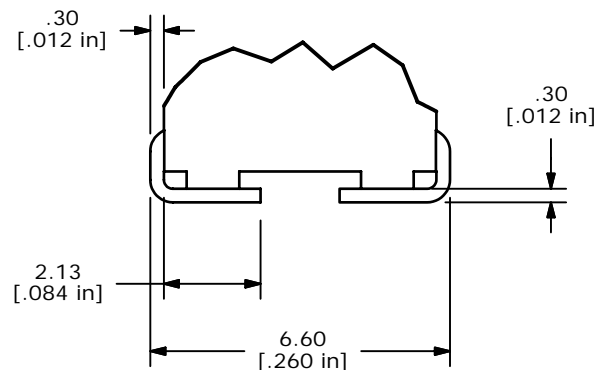
ISOMETRIC



CIRCUIT: SPST



- NOTES:
1. ALL DIMENSIONS IN MM
 2. GENERAL TOLERANCE: X.X=±0.4
X.XX=±0.25
 3. TERM. NOS. FOR REFERENCE ONLY.
 4. RATING: 12VDC, 50mA
 - ▲5. OPERATING FORCE: 160 ± 50 gms
 6. TRAVEL: 0.25mm +0.2/-0.1
 7. CONTACT RESISTANCE: 100 MILLI OHMS MAX. (INITIAL)
 8. MECHANICAL/ELECTRICAL LIFE: 100,000 CYCLES.
 - ▲9. CONTACT MATERIAL: GOLD
 10. PACKAGE: TAPE AND REEL 1100 PCS.
 11. ▲ DENOTES CRITICAL PARAMETER
 12. 2002/95/EC (ROHS) COMPLIANT



DETAIL A



B	17090	FIXED PACKAGE, 1100 PCS.	3/12/07	TN
A	17073	RELEASED FOR PRODUCTION	3/9/07	TN
REV	PCR NO	DESCRIPTION	DATE	BY

TITLE TL3301AF160RJ				
SCALE	DATE	DR	DWG	REV
4:1	3/12/2007	TN	P010642	B

THE INFORMATION CONTAINED IN THIS DOCUMENT IS PROPRIETARY TO E-SWITCH AND IS NOT TO BE COPIED OR TRANSFERRED