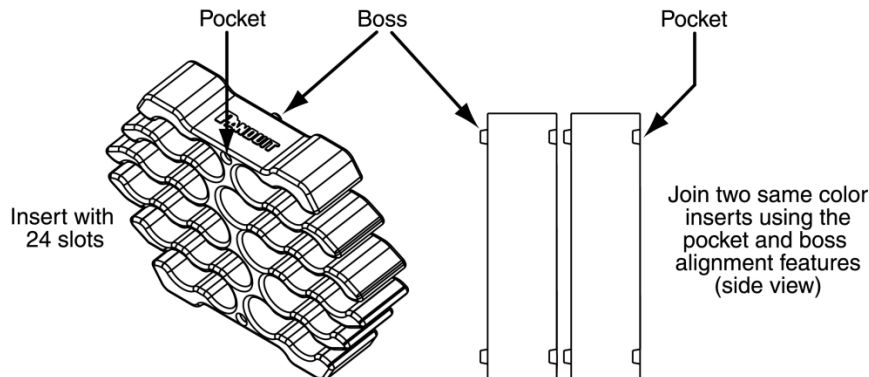


The following steps are used for bundling cables starting from the middle of the bundle outward using two tools. For starting at the end of the bundle follow the same steps using only one tool.

STEP 1: Select the appropriate insert from the table below. Join two same color inserts together using the pocket and boss alignment features. Hold the two inserts together before inserting cables.

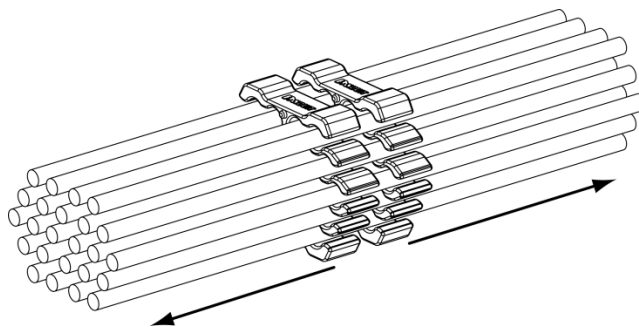


INSERT INFORMATION

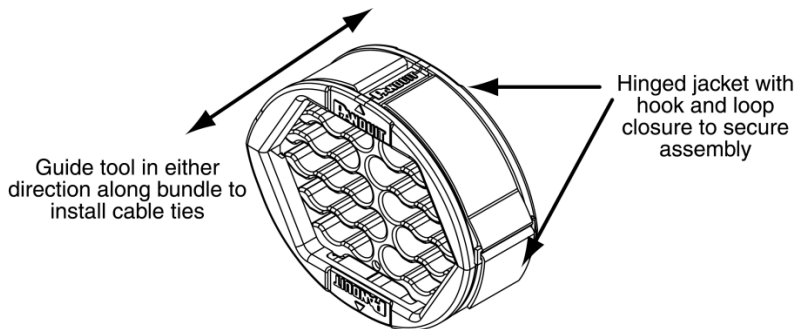
Insert Color	Cable Diameter Range	Panduit UTP Cable Type
Fluorescent Green	0.18" - 0.25" 4.6mm - 6.3mm	TX5500 Category 5e TX6000 Category 6
Fluorescent Yellow	0.23" - 0.31" 5.8mm - 7.9mm	TX6500 Enhanced Category 6 TX6A 10Gig Category 6A

STEP 2: Insert cables, one at a time, into the two inserts while holding them together.

STEP 3: Once all cables are installed, the inserts can be separated by pulling them apart. Make sure that no cables fall out of the inserts during this step.



STEP 4: After the inserts are separated, install the hinged jacket around each insert and secure with the attached hook and loop fastener to secure the assembly. Each of the tools can now be guided in either direction to organize cables. Apply cable ties at desired intervals as you move along the cable bundle length.



For Instructions in Local Languages
and Technical Support:

www.panduit.com/resources/install_maintain.asp

PANDUIT

www.panduit.com

E-mail:
techsupport@panduit.com

Phone:
866-405-6654