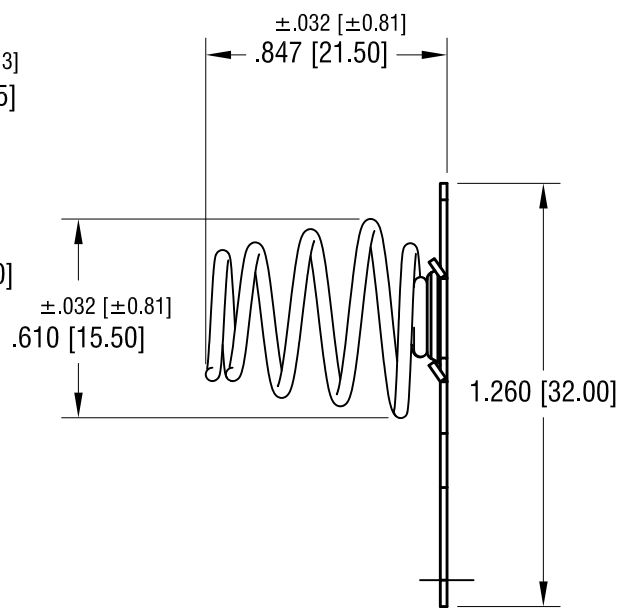
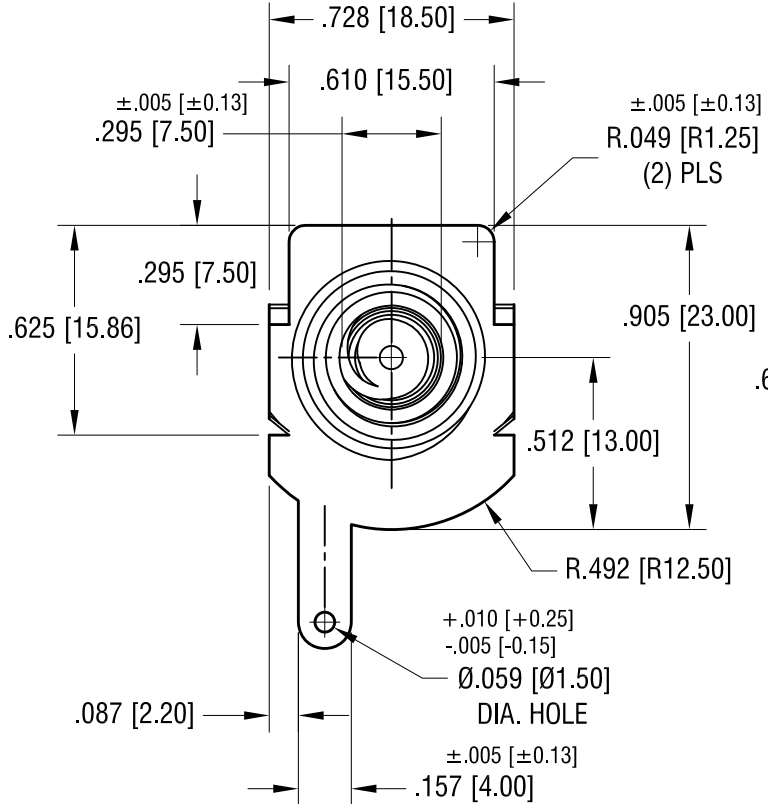
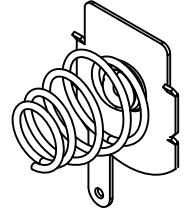


THIS DOCUMENT IS THE PROPERTY OF KEYSTONE ELECTRONICS CORP. AND SHALL NOT BE REPRODUCED, DISTRIBUTED OR USED AS A BASIS FOR MANUFACTURE WITHOUT PRIOR WRITTEN PERMISSION FROM KEYSTONE ELECTRONICS CORP.

ACTUAL SIZE



NOTES:

- 1. BASE:
MAT'L - .020 [0.50] TH'K STEEL
- SPRING CONTACT:
MAT'L - .040 [1.02] DIA. MUSIC WIRE

5.27.16	CHANGE AS PER ECN 16-062	B
10.19.15	CHANGE AS PER ECN 15-124	A
DATE	DESCRIPTION	REV.

KEYSTONE ELECTRONICS CORP.			
www.keyelco.com • ASTORIA, N.Y. 11105-2017 • Tel (718) 956-8900			
PART NAME			
NEGATIVE SPRING CONTACT			
MATERIAL			
AS NOTED			
FINISH		DRN BY	DATE
NICKEL PLATE		NT	4.01.09
		APP'D	SCALE
		LN	1.75X
TOLERANCES	INCH [MM]	CODE	DWG NO.
DECIMAL	± .010 [± 0.25]	C	5251
ANGULAR	± 1°		
UNLESS OTHERWISE SPECIFIED			