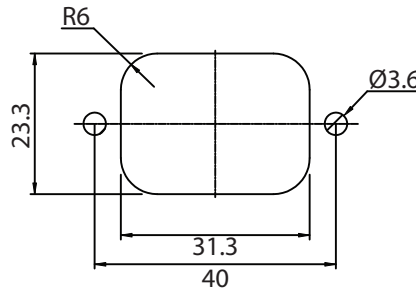
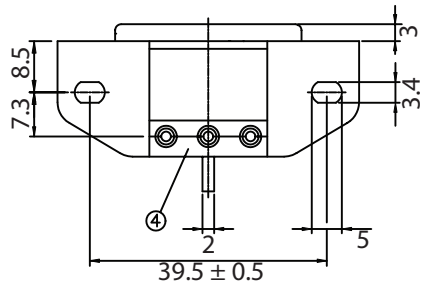
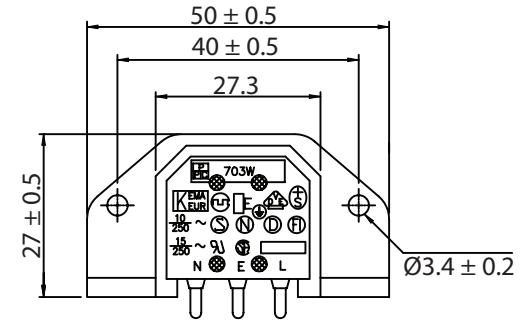
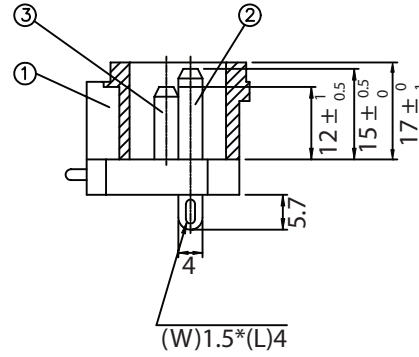
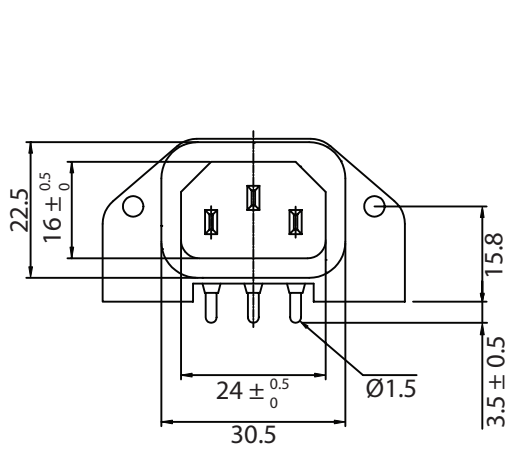
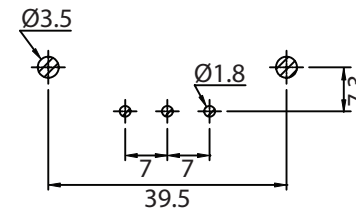


THESE DRAWINGS ARE THE PROPERTY OF QUALTEK ELECTRONICS AND NOT TO BE REPRODUCED FOR OR COMMUNICATED TO A THIRD PARTY WITHOUT THE EXPRESS WRITTEN PERMISSION OF AN OFFICER OF QUALTEK ELECTRONICS.

REVISION			
REV.	DESCRIPTION	DATE	APPROVED
B	RoHS Compliancy	06-01-06	DP



PANEL CUTOUT



PCB LAYOUT

CONTROLLED

NOTES:

RATING:

UL, CSA: 15A 250V AC

VDE: 10A 250V AC

APPROVALS: UL, CSA, VDE

RoHS COMPLIANT

5	Cover back of the Body Valox 420-SEO UL 94V-0 Black Color GE (E115239)	1
4	Soldering PIN Bronze Strip t=0.8mm Ni-Plated	3
3	Contact PIN-B t=2mm Tin-Plated	2
2	Contact PIN-A t=2mm Tin-Plated	1
1	Body Insulator Valox 420-SEO UL 94V-0 Black Color GE (E115239)	1

Dim range (mm)	Tolerance +/- (mm)	Qualtek Electronics Corp. PPC DIVISION		
		Part Number: 703W-00/58		RoHS Compliant
0-1	0.15	Description: AC RECEPTACLE		
1-6	0.20			
6-18	0.30	UNIT: mm	REV. B	
18-50	0.50		Drawn / Date	Checked / Date
50-120	0.70	B. ZHANG	06-24-02	JJH / 06-24-02
120-250	0.90			
250-500	1.20			