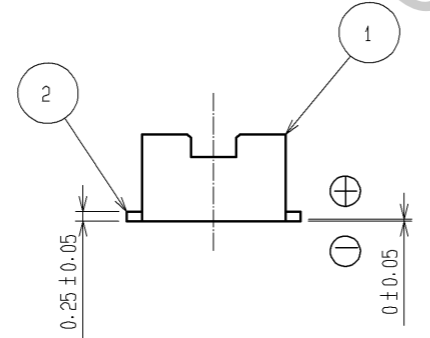
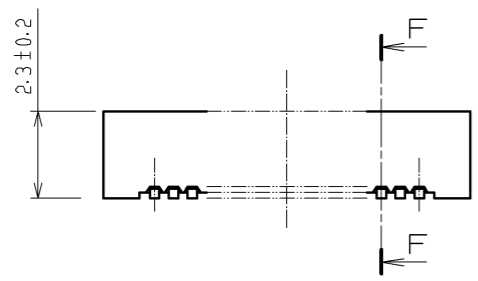
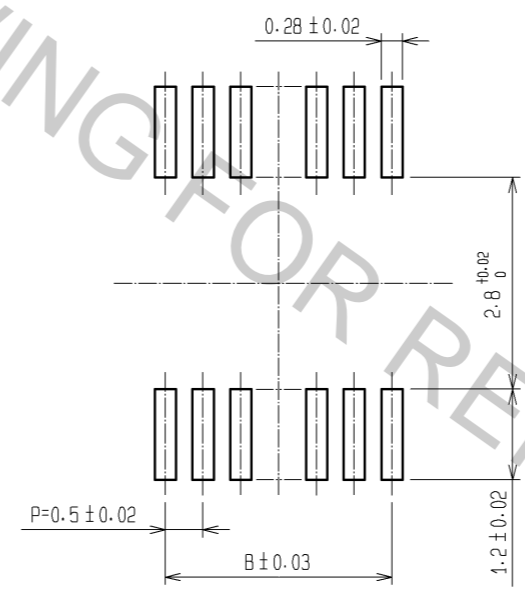


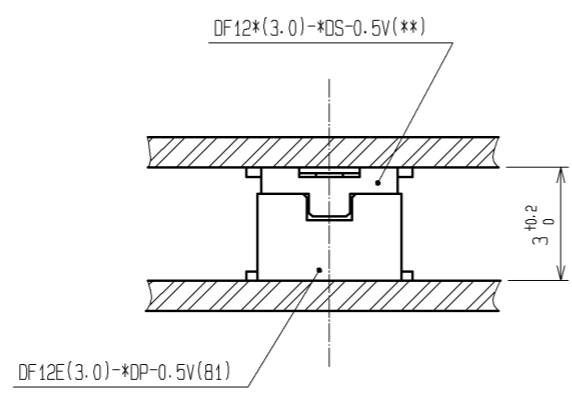
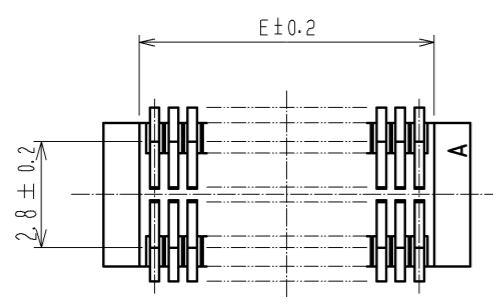
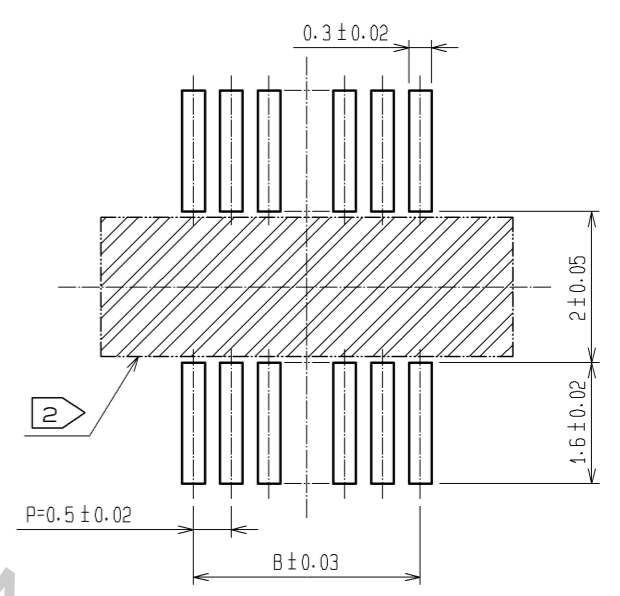
| CODE No. | CONTACT | A | B | C | D | E |
|-----------------|---------|------|------|------|------|------|
| CL537-0826-8-81 | 10 | 4.7 | 2.0 | 2.8 | 3.2 | 2.8 |
| CL537-0921-9-81 | 14 | 5.7 | 3.0 | 3.8 | 4.2 | 3.8 |
| CL537-0828-3-81 | 20 | 7.2 | 4.5 | 5.3 | 5.7 | 5.3 |
| CL537-0830-5-81 | 30 | 9.7 | 7.0 | 7.8 | 8.2 | 7.8 |
| CL537-0837-4-81 | 32 | 10.2 | 7.5 | 8.3 | 8.7 | 8.3 |
| CL537-0831-8-81 | 36 | 11.2 | 8.5 | 9.3 | 9.7 | 9.3 |
| CL537-0832-0-81 | 40 | 12.2 | 9.5 | 10.3 | 10.7 | 10.3 |
| CL537-0834-6-81 | 50 | 14.7 | 12.0 | 12.8 | 13.2 | 12.8 |
| CL537-0836-1-81 | 60 | 17.2 | 14.5 | 15.3 | 15.7 | 15.3 |
| CL537-0838-7-81 | 80 | 22.2 | 19.5 | 20.3 | 20.7 | 20.3 |



RECOMMEND METAL MASK PATTERN (10:1)



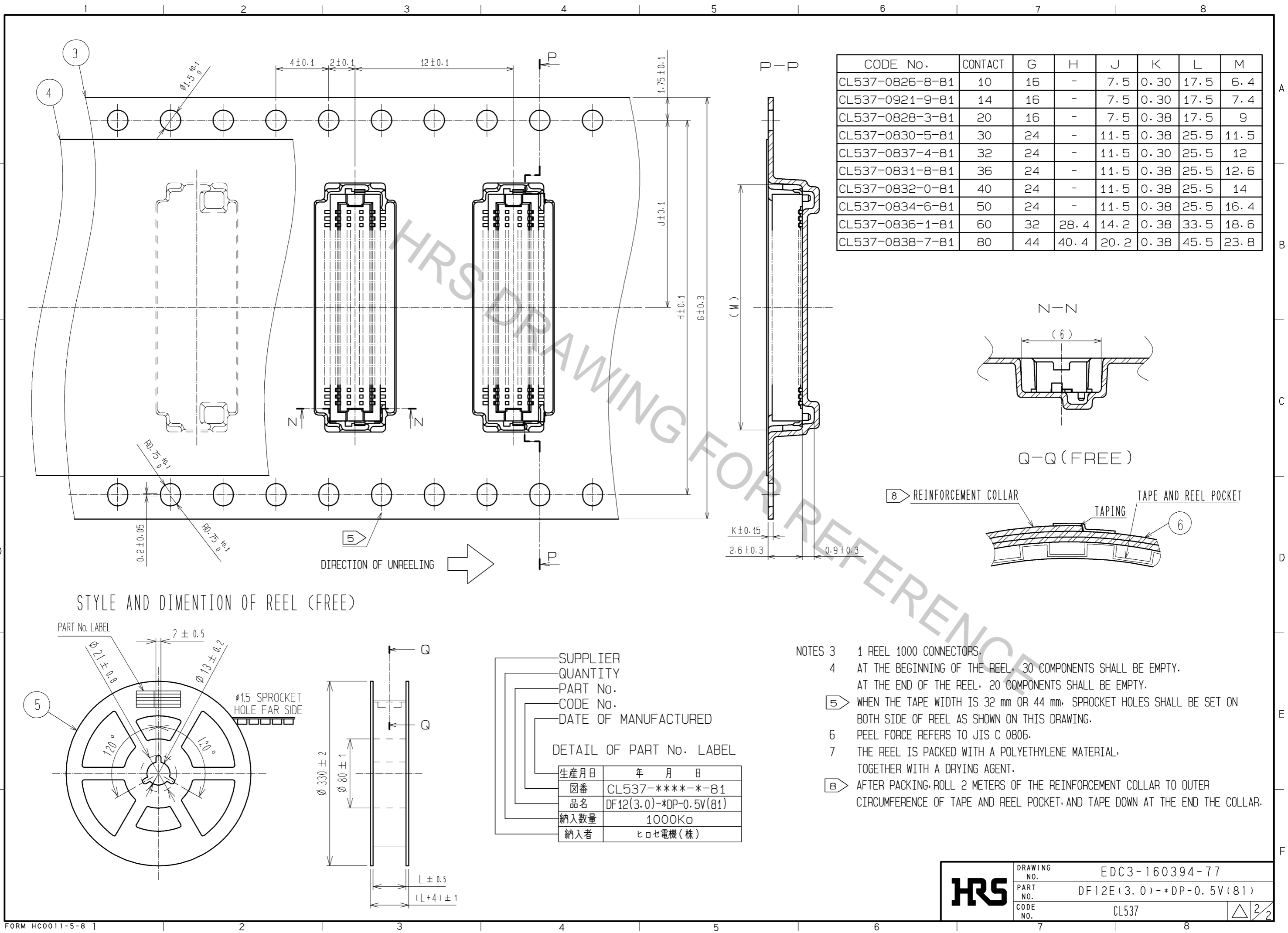
RECOMMENDED LAND PATTERN (10:1)



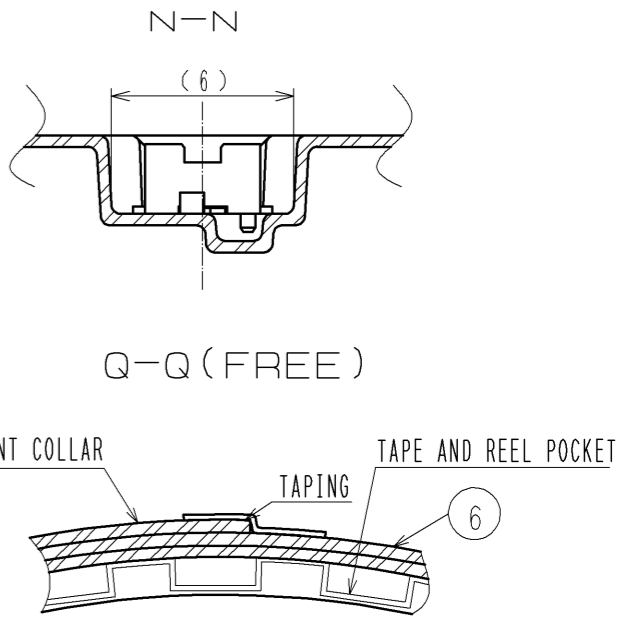
RECOMMENDED THICKNESS OF SOLDER PASTE : 120 μm

NOTES 1 LEAD CO-PLANARITY SHALL BE 0.08 mm MAX.
 2 IF THERE IS PATTERN ON PART, THERE IS A POSSIBILITY THAT IT WILL MAKE CONTACT WITH THE LEADS.

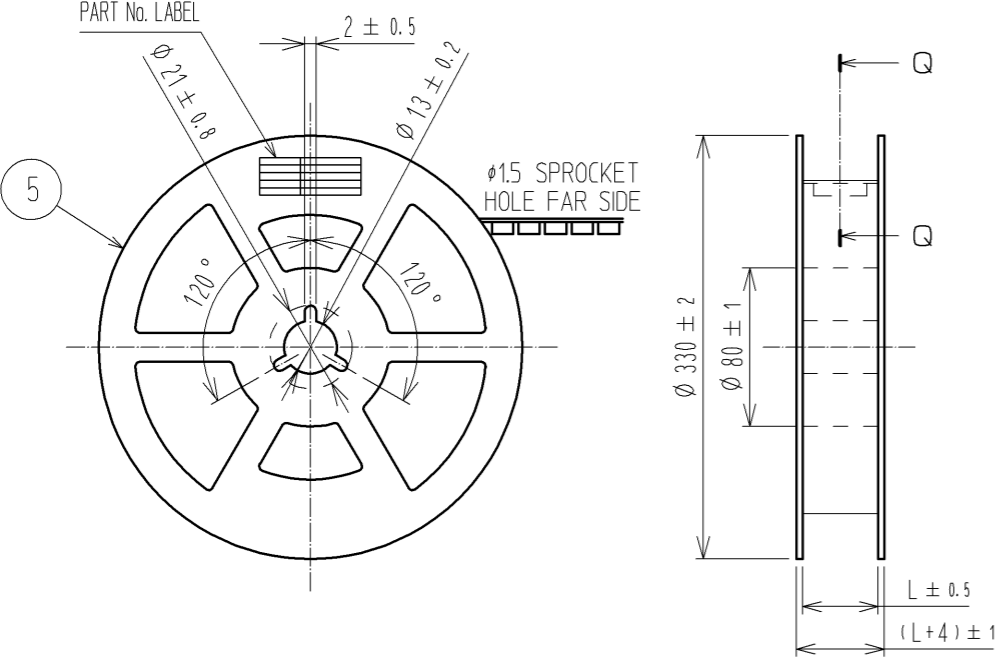
| 2 | PHOSPHOR BRONZE | CONTACT AREA:GOLD PLATED 0.2μm min | 6 | PS | CLEAR (REINFORCEMENT COLLAR) | | | |
|--------------------------------------|-----------------|---|----------|---------------------------------|-------------------------------|----------|---------|------|
| | | LEAD AREA:GOLD PLATED 0.015μm min | 5 | PS | BLACK (PLASTIC REEL) | | | |
| | | OTHERS(UNDER PLATING):NICKEL PLATED 2μm min | 4 | POLYESTER | CLEAR (COVER TAPE) | | | |
| 1 | POLYAMIDE | UL94V-0, NATURAL (BEIGE) | 3 | PS | CLEAR (EMBOSSED CARRIER TAPE) | | | |
| NO. | MATERIAL | FINISH . REMARKS | NO. | MATERIAL | FINISH . REMARKS | | | |
| UNITS mm | | SCALE 5 : 1 | | COUNT | DESCRIPTION OF REVISIONS | DESIGNED | CHECKED | DATE |
| HRS HIROSE ELECTRIC CO., LTD. | | APPROVED : KH. IKEDA | 11.12.12 | DRAWING NO. EDC3-160394-77 | | | | |
| | | CHECED : TS. MIYAZAKI | 11.12.12 | PART NO. DF12E(3.0)*DP-0.5V(81) | | | | |
| | | DESIGNED : YH. MICHIDA | 11.12.12 | CODE NO. CL537 | | | | |
| | | DRAWN : KR. AJITO | 11.12.09 | | | | | |



| CODE No. | CONTACT | G | H | J | K | L | M |
|-----------------|---------|----|------|------|------|------|------|
| CL537-0826-8-81 | 10 | 16 | - | 7.5 | 0.30 | 17.5 | 6.4 |
| CL537-0921-9-81 | 14 | 16 | - | 7.5 | 0.30 | 17.5 | 7.4 |
| CL537-0828-3-81 | 20 | 16 | - | 7.5 | 0.38 | 17.5 | 9 |
| CL537-0830-5-81 | 30 | 24 | - | 11.5 | 0.38 | 25.5 | 11.5 |
| CL537-0837-4-81 | 32 | 24 | - | 11.5 | 0.30 | 25.5 | 12 |
| CL537-0831-8-81 | 36 | 24 | - | 11.5 | 0.38 | 25.5 | 12.6 |
| CL537-0832-0-81 | 40 | 24 | - | 11.5 | 0.38 | 25.5 | 14 |
| CL537-0834-6-81 | 50 | 24 | - | 11.5 | 0.38 | 25.5 | 16.4 |
| CL537-0836-1-81 | 60 | 32 | 28.4 | 14.2 | 0.38 | 33.5 | 18.6 |
| CL537-0838-7-81 | 80 | 44 | 40.4 | 20.2 | 0.38 | 45.5 | 23.8 |



STYLE AND DIMENTION OF REEL (FREE)



SUPPLIER
QUANTITY
PART No.
CODE No.
DATE OF MANUFACTURED

DETAIL OF PART No. LABEL

| | |
|------|------------------------|
| 生産月日 | 年 月 日 |
| 図番 | CL537-****-*-81 |
| 品名 | DF12(3.0)-*DP-0.5V(81) |
| 納入数量 | 1000K \square |
| 納入者 | ヒロセ電機(株) |

- NOTES 3 1 REEL 1000 CONNECTORS.
4 AT THE BEGINNING OF THE REEL, 30 COMPONENTS SHALL BE EMPTY. AT THE END OF THE REEL, 20 COMPONENTS SHALL BE EMPTY.
5 WHEN THE TAPE WIDTH IS 32 mm OR 44 mm, SPROCKET HOLES SHALL BE SET ON BOTH SIDE OF REEL AS SHOWN ON THIS DRAWING.
6 PEEL FORCE REFERS TO JIS C 0806.
7 THE REEL IS PACKED WITH A POLYETHYLENE MATERIAL, TOGETHER WITH A DRYING AGENT.
8 AFTER PACKING, ROLL 2 METERS OF THE REINFORCEMENT COLLAR TO OUTER CIRCUMFERENCE OF TAPE AND REEL POCKET, AND TAPE DOWN AT THE END THE COLLAR.

| | | |
|------------|-------------|-------------------------|
| HRS | DRAWING NO. | EDC3-160394-77 |
| | PART NO. | DF12E(3.0)-*DP-0.5V(81) |
| | CODE NO. | CL537 |