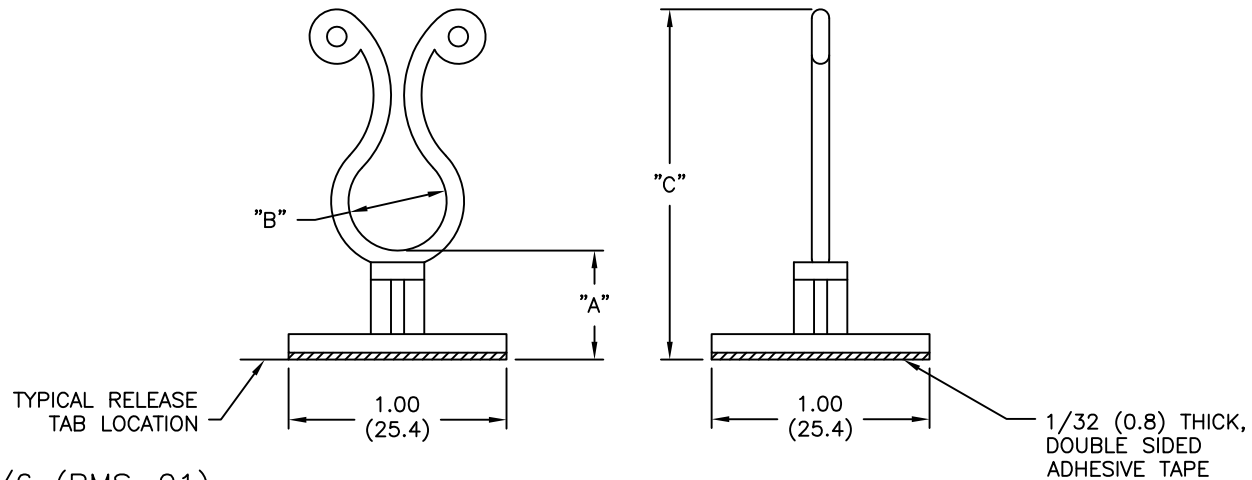


PART NO.	HEIGHT "A" ±.015 (±0.4)	BUNDLE DIA. "B"	"C" REF.
KLBS-3504-01A	1/4 (6.4)	.30-.40 (7.6-10.2)	1-9/32 (32.5)
KLBS-3508-01A	1/2 (12.7)		1-17/32 (38.9)
KLBS-35012-01A	3/4 (19.1)		1-25/32 (45.3)
KLBS-35016-01A	1 (25.4)		2-1/32 (51.6)
KLBS-4504-01A	1/4 (6.4)	.40-.50 (10.2-12.7)	1-15/32 (37.3)
KLBS-4508-01A	1/2 (12.7)		1-23/32 (43.6)
KLBS-45012-01A	3/4 (19.1)		1-31/32 (49.9)
KLBS-45016-01A	1 (25.4)		2-7/32 (56.3)



NOTES:

1. MATERIAL: NYLON 6/6 (RMS-01).
FLAME RETARDANT, NYLON (RMS-19),
AVAILABLE BY SPECIAL ORDER ONLY.
2. COLOR: NATURAL.
3. ACRYLIC ADHESIVE TAPE (RMS-15),
WHITE LINER.
4. UV STABILIZED MATERIAL UL 94 V-2 (RMS-46), COLOR BLACK,
AVAILABLE BY SPECIAL ORDER. TO ORDER REPLACE "-01" WITH "-UVB".

TITLE: KURLY-LOK ON BASE, STANDOFF		DWG IN IN (MM)		FINAL			
TOLERANCES UNLESS NOTED .XX=±.010 .XXX=±.005 FRAC=±1/64 ANG=±1°		FILE # KLBS		DWN: J.B.		APP:	
MAT'L: SEE NOTES		RE: RICHCO, INC.		DT: 01-23-96		DT:	
REV		DESCRIPTION		ENGR DATE		PART # SEE TABLE	
D SEE CO 200773 FOR CHANGES		SK 04.30.12		C SEE CO 200467 FOR CHANGES		SK 11.19.09	
B ADDED NOTE 3.		SJ 03.13.02		A CHANGED FILE NO. AND TITLE BLOCK		SM 05.31.01	
REV		DESCRIPTION		ENGR DATE		PRINT TYPE CA	
				RICHCO INC. PO BOX 804238, CHICAGO, 60680 (773) 539-4060			