

## DETAILS

<b>Product Number</b>	CP12415_LOS-O-90
<b>Family</b>	Leila
<b>Type</b>	Assembly
<b>Color</b>	white
<b>Diameter</b>	21,6 mm
<b>Height</b>	14,3 mm
<b>Style</b>	round
<b>Optic Material</b>	PMMA
<b>Holder Material</b>	
<b>Fastening</b>	pin, glue
<b>Status</b>	production ready
<b>ROHS Compliant</b>	Yes
<b>Date Updated</b>	11/08/2015



## OPTICAL PROPERTIES

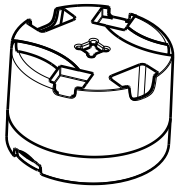
LED	Viewing	Light	Effi-		Connector
	Angle	Beam	ciency	cd/lm	
NF2x757A	14+39 deg	O-90	94 %	4.700	-
NF2x757G	sim: 13+40	O-90	sim: 91 %	sim: 4.500	-
Oslo Square EC	sim: 11+41	O-90	sim: 94 %	sim: 5.400	-
Oslo SSL 80	sim: 11+38	O-90	92 %	sim: 4.900	-
Oslo SSL 150	sim: 9+42	O-90	93 %	sim: 6.000	-
Duris S5 (2 chip)	14+42 deg	O-90	91 %	4.500	-

D

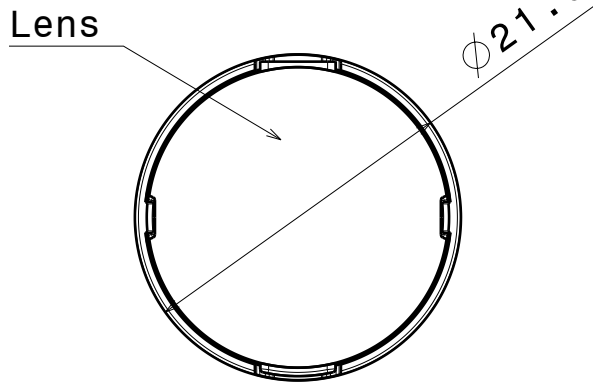
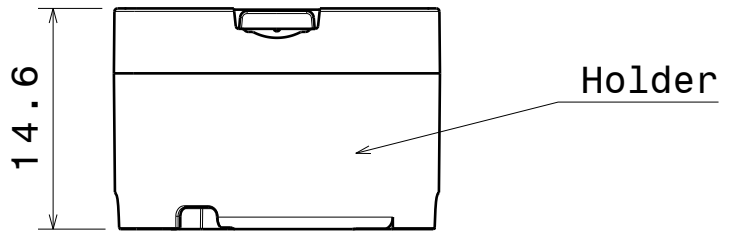
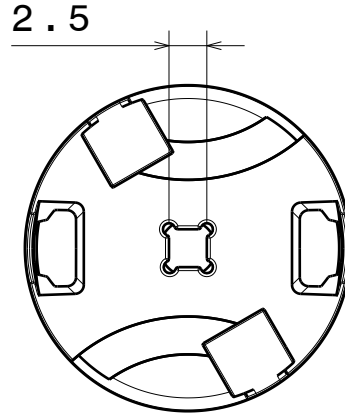
C

B

A



Isometric view  
Scale: 1:1



Materials:  
Lens PMMA  
Holder PC, Black

Tolerances for dimensions:  
0-20mm tolerance value  $\pm 0.1\text{mm}$   
21-45mm tolerance value  $\pm 0.2\text{mm}$   
46-90mm tolerance value  $\pm 0.3\text{mm}$   
91-100mm tolerance value  $\pm 0.4\text{mm}$   
101-mm tolerance value  $\pm 0.5\text{mm}$

This drawing is our property.  
It can't be reproduced  
or communicated without  
our written agreement.



Ledil Oy  
Salorankatu 10  
FIN 24240 SALO  
Finland

DRAWING TITLE

Datasheet LXB3 Glue Assy

DRAWN BY  
pv  
DATE  
11.04.2012

CHECKED BY  
sn  
DATE  
19.01.2012

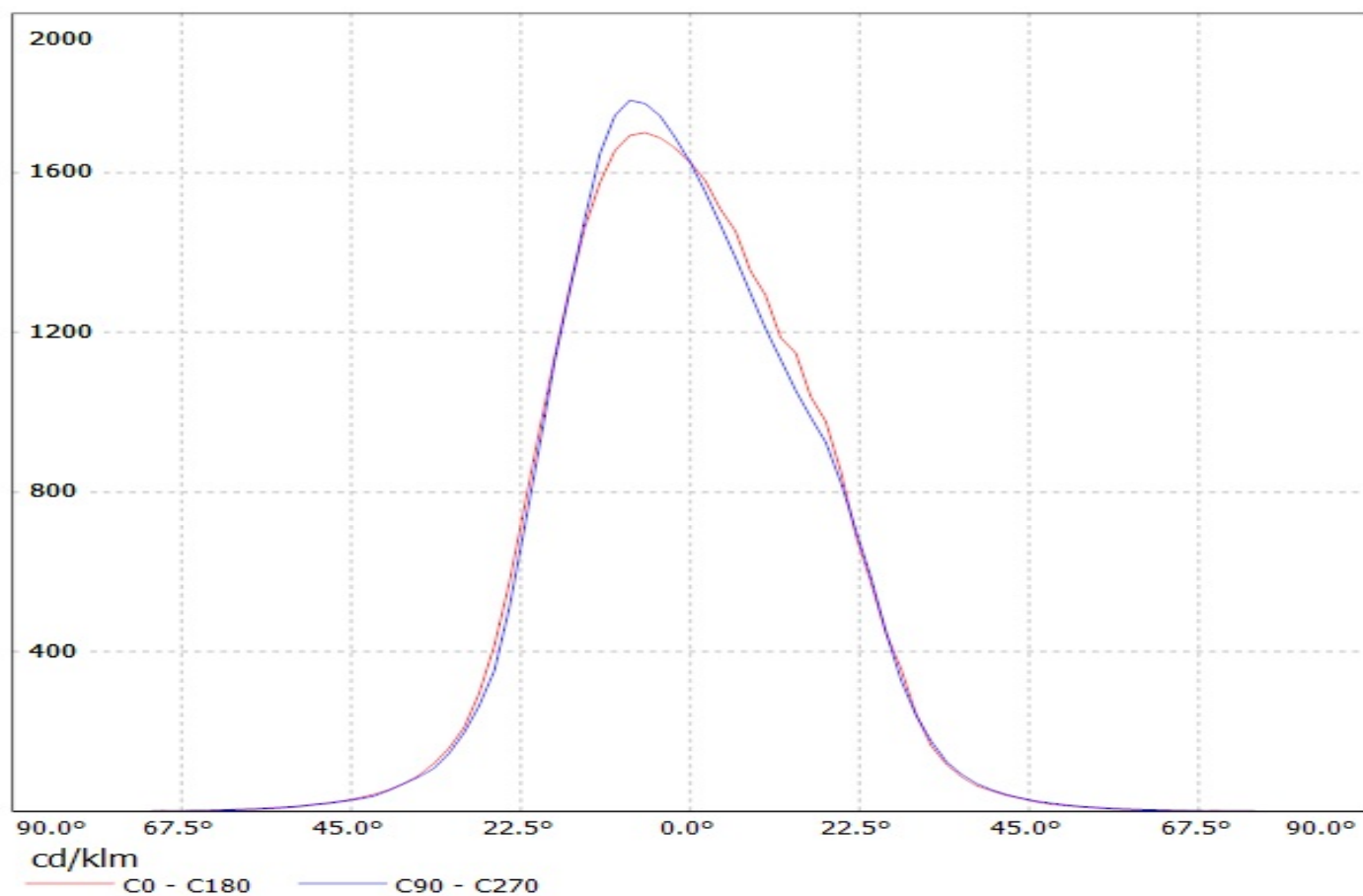
DESIGNED BY  
pv  
DATE  
19.01.2012

SIZE A4 DRAWING NUMBER - REV 1

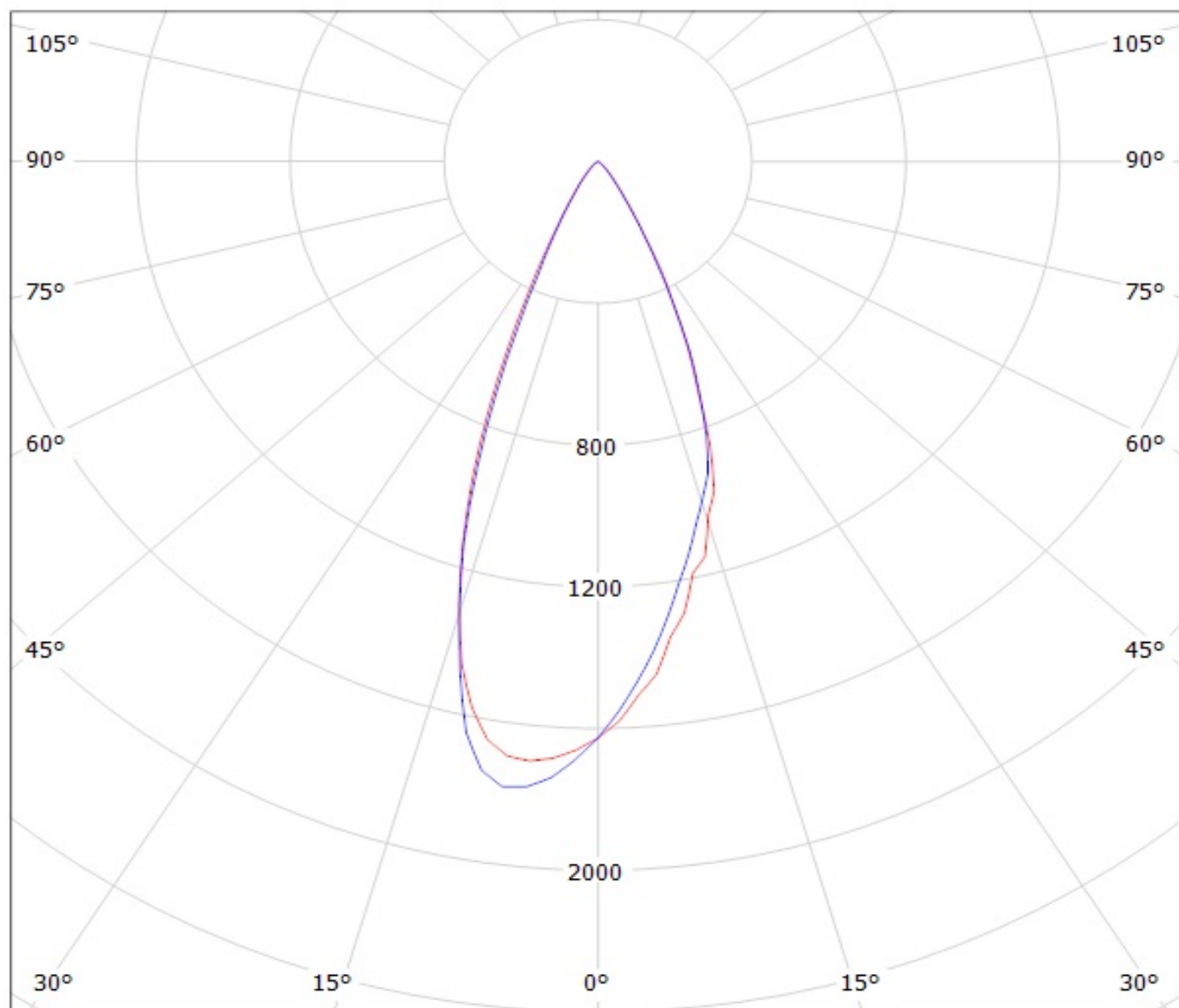
SCALE 2:1 WEIGHT (g) SHEET 1/1

A

Luminaire: Ledil Oy CP12670\_LXB3-W (Cree XB-D 84lm @ 250mA) LOR=81%  
Lamps: 1 x Cree XB-D 84lm @ 250mA



Luminaire: Ledil Oy CP12670\_LXB3-W (Cree XB-D 84lm @ 250mA) LOR=81%  
Lamps: 1 x Cree XB-D 84lm @ 250mA



cd/klm

— C0 - C180

— C90 - C270

**NOTE: The typical divergence will be changed by different color, chip size and chip position tolerance. The typical total divergence is the full angle measured where the luminous intensity is half of the peak value.**