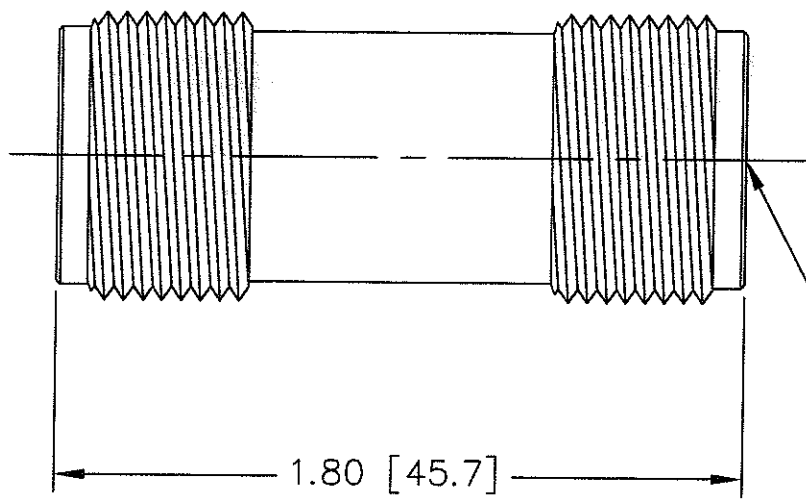


NOTES:

- 1.0 MATERIALS:
 - 1.1 HOUSING: STAINLESS STEEL PER ASTM-A582, TYPE 303.
 - 1.2 CENTER CONTACT: BERYLLIUM COPPER ROD ALLOY C172, PER ASTM-B196.
 - 1.3 DIELECTRIC: PTFE FLUOROCARBON PER ASTM-D1710.
- 2.0 PLATING:
 - 2.1 HOUSING: PASSIVATED PER MIL-F-14072 AND SAE AMS QQ-P-35.
 - 2.2 CENTER CONTACT: GOLD PER MIL-PRF-39012.
 - 2.3 FERRULE: GOLD PER MIL-PRF-39012.
- 3.0 MECHANICAL:
 - 3.1 INTERFACE PER MIL-STD-348A, FIG. 317-2 IN ACCORDANCE WITH MIL-PRF-39012.
 - 3.2 CENTER CONTACT CAPTURED IN ACCORDANCE WITH MIL-PRF-39012.
- 4.0 DIMENSIONS IN PARENTHESIS ARE MILLIMETERS.



HN JACK PER MIL-STD-348, FIG. 317-2 (BOTH EHDS)

REV.	DESCRIPTION	DATE
-	RELEASED	3/3/06

UNLESS OTHERWISE NOTED DIMENSIONS ARE IN INCHES AND TOLERANCES ARE: 3 PLACE DECIMALS ±.005 2 PLACE DECIMALS ±.02 FRACTIONS ±1/64 PARALLELITY: T.I.R. _____ FLATNESS: T.I.R. _____ CONCENTRICITY: T.I.R. _____ ANGLES AND PERPENDICULARITY: ±1°	FSCM NO. 34078	MIDWEST MICROWAVE	
	NOTICE: The information contained in this drawing is proprietary and must not be used without the permission of Midwest Microwave	TITLE ADAPTER — HN JACK TO HN JACK	
	DRAWN/DATE S.ORLOV 3/2/06	ENG./DATE <i>[Signature]</i> 3/3/06	DRAWING NUMBER ADT-2821-FF-HNO-02
	CHECKED/DATE <i>[Signature]</i>	APPROVED/DATE <i>[Signature]</i> 3/3/06	SCALE: 2=1 SHEET 1 of 1