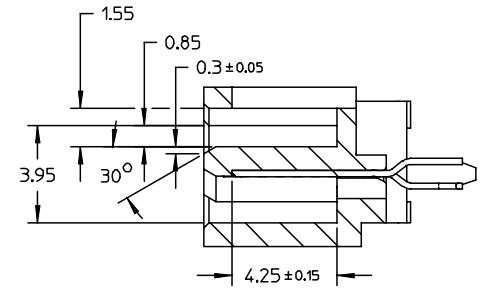
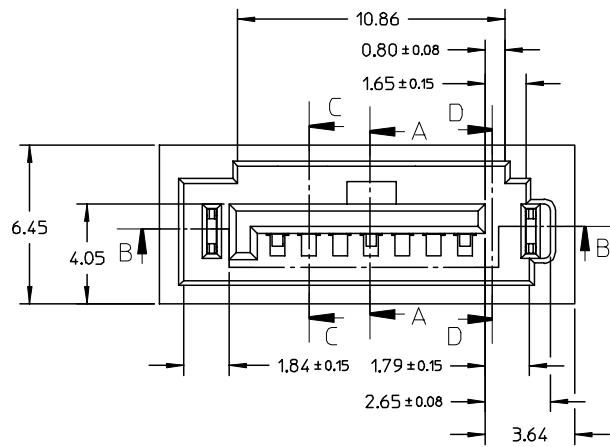


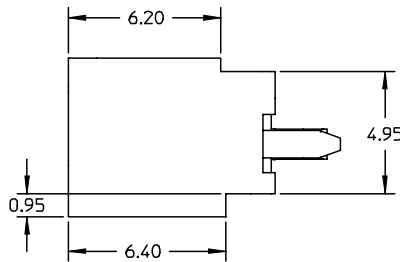
SECTION A-A



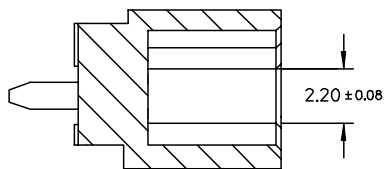
SECTION C-C



SECTION B-B



SECTION D-D



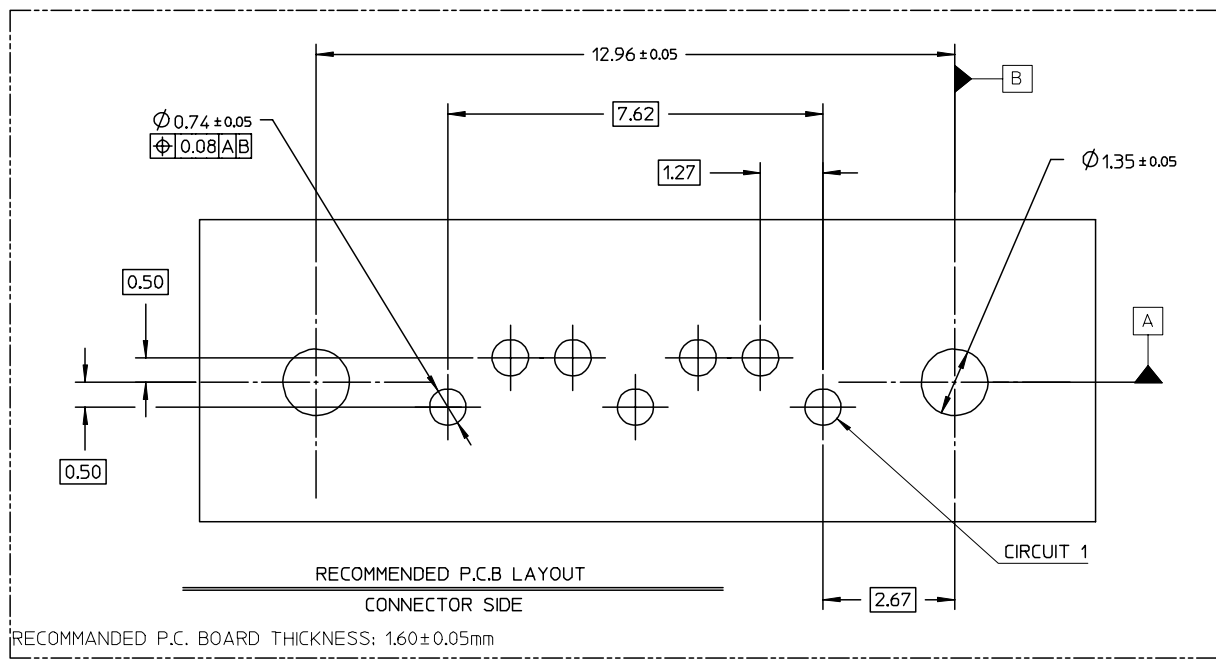
ADD PART NUMBER EC NO: SH2007-0134 DRWN: BCHENZ6 CHKD: JTIAN APPR: JNCHEH	DESCRIPTION 2006/09/01 2006/09/01 2006/09/08
---	---

QUALITY SYMBOLS	▽=0	∇=0
-----------------	-----	-----

GENERAL TOLERANCES (UNLESS SPECIFIED)	mm	INCH
4 PLACES	± ---	± ---
3 PLACES	± ---	± ---
2 PLACES	± 0.15	± ---
1 PLACE	± 0.25	± ---
ANGULAR ± 1 °		
DRAFT WHERE APPLICABLE MUST REMAIN WITHIN DIMENSIONS		

DIMENSION STYLE MM ONLY	
DRAWN BY GRATE	DATE 2004/08/05
CHECKED BY GRATE	DATE 2004/08/05
APPROVED BY VINCENT	DATE 2004/08/05
MATERIAL NO. SEE SHEET 2	

SCALE 5:1	DESIGN UNITS METRIC	THIRD ANGLE PROJECTION
TITLE HIGH SPEED CONNECTOR 1.27MM PITCH VERTICAL DIP SOLDER TAIL		
MOLEX INCORPORATED		
DOCUMENT NO. SD-47155-004	SHEET NO. 1 OF 2	



NOTES:

1. MATERIAL:
HOUSING: THERMAL PLASTIC, COLOR: SEE CHART
GLASS FILLED: UL94V-0
TERMINAL/PEG: BRASS
2. TERMINAL PLATING:
CONTACT AREA: GOLD FLASH
SOLDER TAIL:
TIN PLATED 1.27 MICRON MINIMUM OVER
1.27 MICRON MINIMUM NICKEL UNDER PLATE
3. PEG PLATING:
TIN PLATED 1.8 MICRON MINIMUM OVER
1.27 MICRON MINIMUM NICKEL UNDER PLATE
4. PACKAGING: PK-67800-002
5. PRODUCT SPECIFICATION REFER TO PS-67490-001
6. RECOMMENDED PROCESS: WAVE SOLDERING
7. PRODUCT COMPLIANT TO RoHS DIRECTIVE 2002/95/EC AND ELV DIRECTIVE 2000/53/EC*

471554061	SEE NOTE2	IVORY
471554051	SEE NOTE2	LIGHT BLUE
471554041	SEE NOTE2	NATURE COLOR
471554031	SEE NOTE2	PROCESS BLUE C DELTA E<3
471554001	SEE NOTE2	BLACK
MATERIAL NUMBER	PLATING TYPE	PLASTIC COLOR



ADD PART NUMBER EC NO: SH2007-0134 DRWN: BCHENZ6 CHKD: JTIAN APPR: JNCHEN	DESCRIPTION 2006/09/01 2006/09/01 2006/09/08	QUALITY SYMBOLS	GENERAL TOLERANCES (UNLESS SPECIFIED)	DIMENSION STYLE	SCALE	DESIGN UNITS	THIRD ANGLE PROJECTION
		$\nabla = 0$ $\nabla C = 0$	mm INCH 4 PLACES ± --- ± --- 3 PLACES ± --- ± --- 2 PLACES ± 0.15 ± --- 1 PLACE ± 0.25 ± --- ANGULAR ± 1 °	MM ONLY	1:1	METRIC	HIGH SPEED CONNECTOR 1.27MM PITCH VERTICAL DIP SOLDER TAIL
		DRAWN BY: GRATE CHECKED BY: GRATE APPROVED BY: VINCENT	DATE: 2004/08/05 DATE: 2004/08/05 DATE: 2004/08/05	TITLE	MOLEX INCORPORATED		
		DRAFT WHERE APPLICABLE MUST REMAIN WITHIN DIMENSIONS	SEE TABLE	DOCUMENT NO. SD-47155-004		SHEET NO. 2 OF 2	