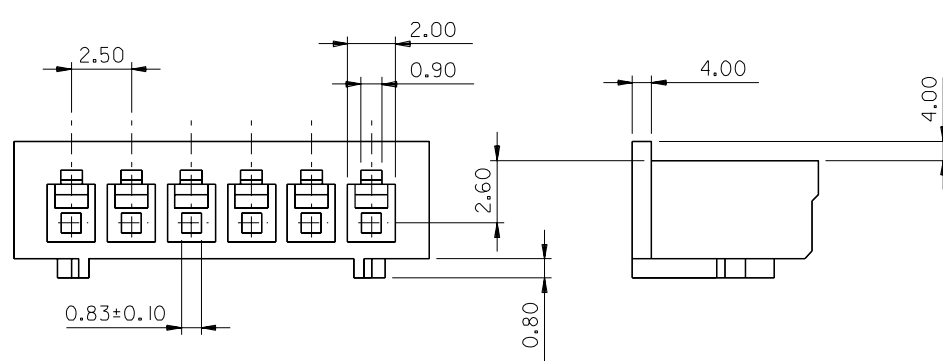
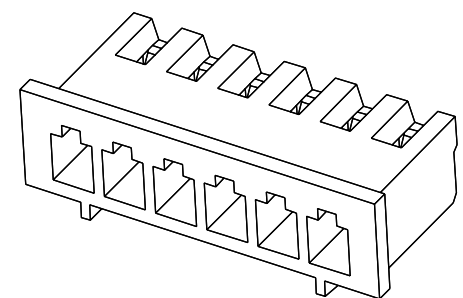
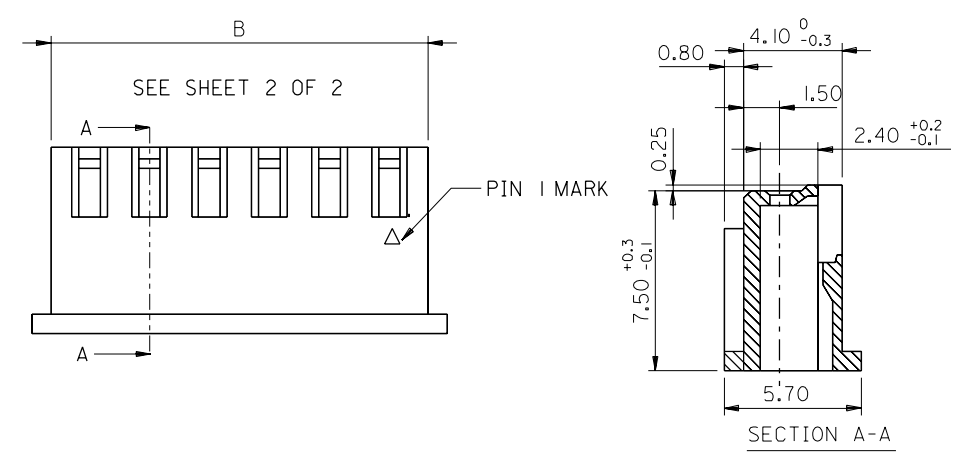


DO NOT SCALE DRAWING

CADFILE NO. S672610.LS01 SIMILAR ITEM

EDP NO.

ENG. NO SD-67261-0001



NOTES:
 1. MATERIAL: NYLON, UL 94V-0
 COLOR: WHITE
 2. APPLICABLE TERMINAL: 67262
 3. PRODUCT SPEC.: PS-67261-003.

| | |
|--------------------|-----|
| 2 | C |
| 1 | C |
| SHT | REV |
| REVISE ON CAD ONLY | |

| | | | | | | | | | | | | |
|--|---|---|---|---|--|-----|--|---|---------------------------|--|--------------------------------------|---|
| C | UPDATE TITLE DESCRIPTION EC NO. T2000-0009 DRWN: GRACE LEU 00/08/28 CHK: EMILY HSU APPR: MEGA LIN | B | R.T.M. EC NO. T2000-0193 DRWN: G.Wang 00/03/13 CHK: WILSON CHANG APPR: MEGA LIN | A | NEW RELEASE EC NO. T2000-0043 DRWN: G.Wang 1999/08/26 CHK: Wilson Chang APPR: Mega Lin | REV | QUALITY SYMBOLS MAJOR \blacktriangledown = 0 CRITICAL ∇ = 0 | GENERAL TOLERANCES: (UNLESS SPECIFIED) | SCALE 5:1 | DESIGN UNITS <input checked="" type="checkbox"/> mm <input type="checkbox"/> INCH | DRAWN BY & DATE G.Wang 1999/08/26 | TITLE: 2.50 MM PITCH WIRE TO BOARD, HOUSING |
| | DRAFT WHERE APPLICABLE MUST REMAIN WITHIN DIMENSIONS | | ANGULAR: +3° | | CHECKED BY & DATE | | APPROVED BY & DATE | CAD FILENAME S672610.LS01 | MATERIAL NO. SEE CHART | DRAWING NO. SD-67261-001 | SHEET NO. 1 OF 2 | |
| THIS DRAWING CONTAINS INFORMATION THAT IS PROPRIETARY TO MOLEX INCORPORATED AND SHOULD NOT BE USED WITHOUT WRITTEN PERMISSION. | | | | | | | | | | | SIZE A3 | |



DO NOT SCALE DRAWING

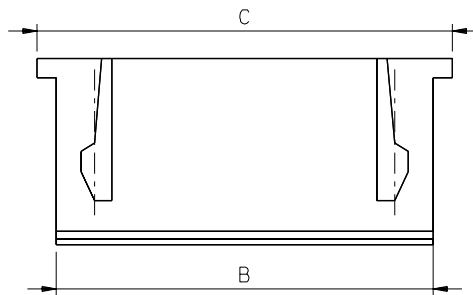
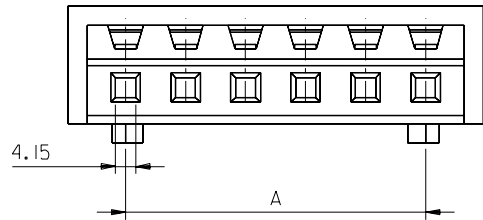
CADFILE NO.:S6726101.S02

SIMILAR ITEM

EDP NO.

ENG. NO SD-67261-0001

8 7 6 5 4 3 2 1



| CIRCUITS | A | B | C | CIRCUITS | A | B | C |
|----------|-----------|-----------|------|----------|-----------|--|--|
| 2 | 2,5±0,05 | 5,7±0,20 | 7,3 | 9 | 20,0±0,15 | 23,2±0,20 | 24,8±0,20 |
| 3 | 5,0±0,05 | 8,2±0,20 | 9,8 | 10 | 22,5±0,15 | 25,7 ^{+0,20} _{-0,30} | 27,3 ^{+0,20} _{-0,30} |
| 4 | 7,5±0,08 | 10,7±0,20 | 12,3 | 11 | 25,0±0,15 | 28,4 ^{+0,20} _{-0,30} | 29,8 ^{+0,20} _{-0,30} |
| 5 | 10,0±0,08 | 13,2±0,20 | 14,8 | 12 | 27,5±0,15 | 30,7 ^{+0,20} _{-0,30} | 32,3 ^{+0,20} _{-0,30} |
| 6 | 12,5±0,08 | 15,7±0,20 | 17,3 | 13 | 30,0±0,15 | 33,2 ^{+0,20} _{-0,30} | 34,8 ^{+0,20} _{-0,30} |
| 7 | 15,0±0,08 | 18,2±0,20 | 19,8 | 14 | 32,5±0,15 | 35,7 ^{+0,20} _{-0,30} | 37,3 ^{+0,20} _{-0,30} |
| 8 | 17,5±0,10 | 20,7±0,20 | 22,3 | 15 | 35,0±0,15 | 38,2 ^{+0,20} _{-0,30} | 39,8 ^{+0,20} _{-0,30} |

MATERIAL NO.

67261-**00

PIN NUMBER:
02 ... 15

| | | | | | | | | |
|--|---|--|--|---|-------------------|--|--|----------------------------------|
| UPDATE TITLE DESCRIPTION EC NO. T2001-0009 DRWN: GRADE LEU 00/08/28 CHK: EMILY HSU APPR: MEGA LIN | R.T.M. EC NO. T2000-0193 DRWN: G.WANG 00/03/13 CHK: WILSON CHANG APPR: MEGA LIN | NEW RELEASE EC NO. T2000-0043 DRWN: G.WANG 99/08/26 CHK: WILSON CHANG APPR: MEGA LIN | QUALITY SYMBOLS MAJOR = 0 CRITICAL = 0 | GENERAL TOLERANCES: (UNLESS SPECIFIED) mm INCH 4 PLACES ±0. ±. | SCALE 5:1 | DESIGN UNITS <input checked="" type="checkbox"/> mm <input type="checkbox"/> INCH | DIMENSIONS: <input type="checkbox"/> mm <input type="checkbox"/> INCH <input type="checkbox"/> mm <input type="checkbox"/> INCH <input type="checkbox"/> mm <input type="checkbox"/> INCH <input type="checkbox"/> mm <input type="checkbox"/> INCH | SHT REV REVISE ON CAD ONLY |
| | | | DRAFT WHERE APPLICABLE MUST REMAIN WITHIN DIMENSIONS | DRAWN BY & DATE G.Wang 1999/08/26 | CHECKED BY & DATE | TITLE: 2.50 MM PITCH WIRE TO BOARD, HOUSING | APPROVED BY & DATE | CAD FILENAME S6726101.S02 |
| THIS DRAWING CONTAINS INFORMATION THAT IS PROPRIETARY TO MOLEX INCORPORATED AND SHOULD NOT BE USED WITHOUT WRITTEN PERMISSION. | | | SIZE A3 | | | | | |

F

E

D

C

B

A