

LOC	DIST	REVISIONS					
GZ	00	P	LTR	DESCRIPTION	DATE	DWN	APVD
		A		NEW FORMAT & EC0720-0136-04	05MAR04	MD	KH

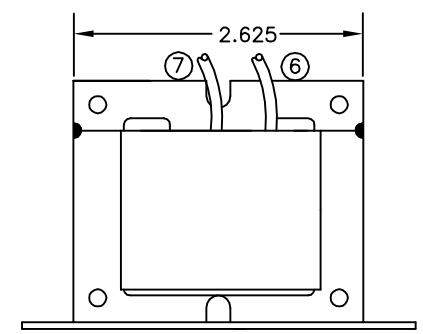
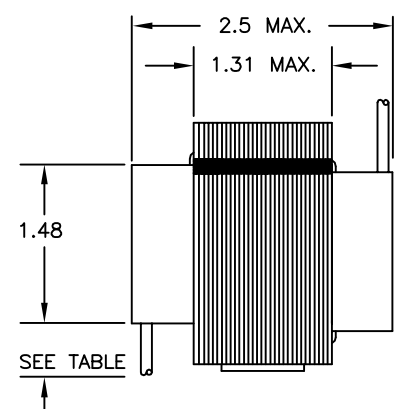
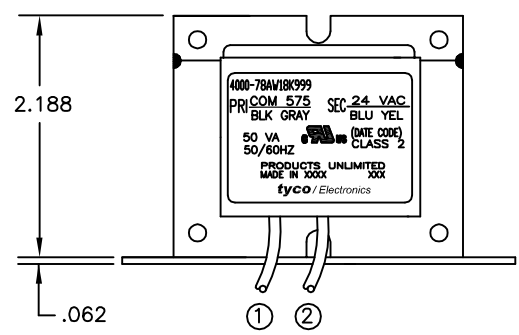
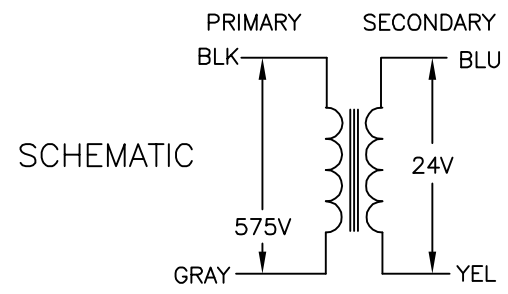
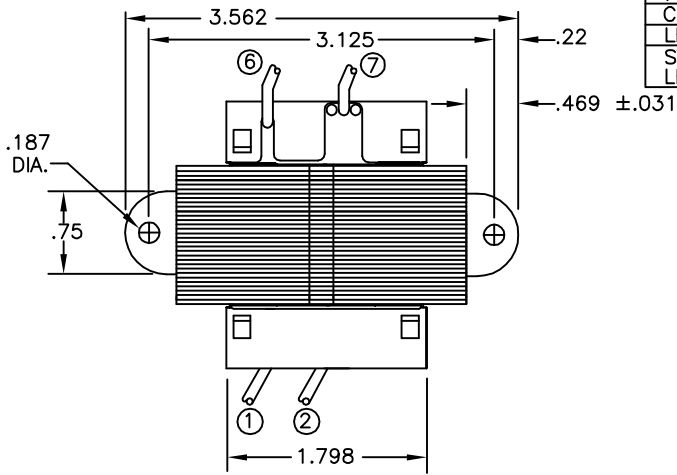
ALL LEADS 18AWG-UNLESS OTHERWISE SPECIFIED

PRIMARY					
LEAD NO.	1	2	3	4	5
VOLTAGE	COM	575			
COLOR	BLK	GRAY			
LENGTH	12.0	12.0			
STRIP LENGTH	.50	.50			

- NOTES
1. DIMENSIONS FOR REFERENCE ONLY.
 2. ALL LEADS +1"/-0" TOL.
 3. STRIP TOL. ±1/32
 4. WINDING PROTECTION-INHERENTLY LIMITING

CERTIFICATION:
UL & CUL FILE NO. E87824

SECONDARY				
LEAD NO.	6	7	8	9
VOLTAGE	24	VAC		
COLOR	BLU	YEL		
LENGTH	12.0	12.0		
STRIP LENGTH	.50	.50		



4000-78AW18K999
 PRI COM 575 SEC 24 VAC
 BLK GRAY BLU YEL
 50 VA (DATE CODE)
 50/60HZ CLASS 2
 PRODUCTS UNLIMITED
 MADE IN XXXX
 tyco Electronics

CUST. NO.	TYCO PART NUMBER
-	9-1611461-2

THIS DRAWING IS A CONTROLLED DOCUMENT.		DWN	M.DAVIS	05MAR04	Products UNLIMITED	Tyco Electronics Corporation	
		CHK	K.HOLSCHUH	05MAR04		Harrisburg, Pa 17105-3608	
		APVD	K.HOLSCHUH	05MAR04	NAME		
		PRODUCT SPEC			TRANSFORMER OUTLINE		
		APPLICATION SPEC			-		
		WEIGHT			-		
		SIZE	A3	CAGE CODE	00779	DRAWING NO	C=4000-78AW18K999
		CUSTOMER DRAWING		SCALE	NTS	SHEET	1 OF 1
						REV	A