

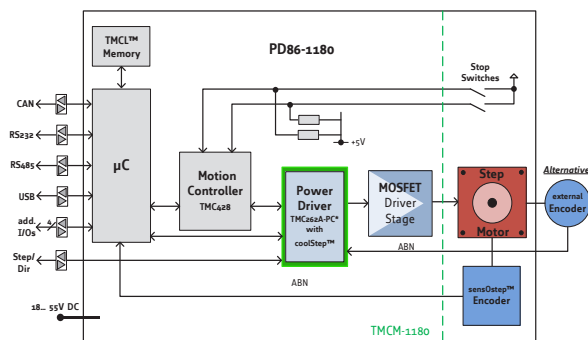
PD86-1180

86mm / NEMA34
 Stepper Motor with
 Controller / Driver,
 Encoder and
 Serial Interface
 Optional CANopen

INFO The PANdrive PD86-1180 is a mechatronic solution including a 86mm flange motor, a controller board and a sensOstep™ encoder. It can be controlled via serial interface or operated in stand-alone mode. Power supply, external encoder, interface and multi purpose I/Os can be connected with JST connectors.

With the advanced stallGuard2™ feature the load of the motor can be detected with high resolution. The new outstanding coolStep™ technology for sensorless load dependent current control allows energy efficient motor operation.

The PD86-1180 comes with the PC based software development environment TMCL-IDE for the Trinamic Motion Control Language (TMCL™). Predefined high level TMCL™ commands guarantee a rapid development of motion control applications. Communication traffic is kept very low since all time critical operations, e.g. ramp calculation are performed onboard. CANopen firmware will be available optionally.



MAIN CHARACTERISTICS

- ELECTRICAL DATA**
 - 24 to 48V DC (nom.) supply voltage
- MOTOR DATA**
 - flange size 86mm/NEMA34
 - holding torque 7.0 Nm
- INTERFACE**
 - CAN, USB, RS232, RS485
 - step&direction interface
 - inputs for ref. & stop switches
 - general purpose I/Os
 - encoder interface (ABN)
- FEATURES**
 - stallGuard2™ sensorless high resolution load detection
 - coolStep™ sensorless load dependent current control
 - up to 256 times microstepping
 - microPlyer™ 16 to 256 times microstepping interpolation
 - memory for 2048 TMCL commands
 - motion profile calculation in hardware (RT)
 - on the fly alteration of motion parameters (e.g. position, velocity, acceleration)
- SOFTWARE**
 - stand-alone operation using TMCL™ or remote controlled operation
 - PC-based application development software TMCL-IDE included
 - optional CANopen firmware (CiA 302, 402)
- OTHER**
 - pluggable JST connectors
 - RoHS compliant

ORDER CODE	DESCRIPTION
PD86-3-1180 (-option)	PANdrive 7.00 Nm, 118.5mm length with motor QSH8618-96-55-700
INTERFACE OPTIONS	
TMCL	with TMCL™ firmware
CANopen	with CANopen firmware (under development)