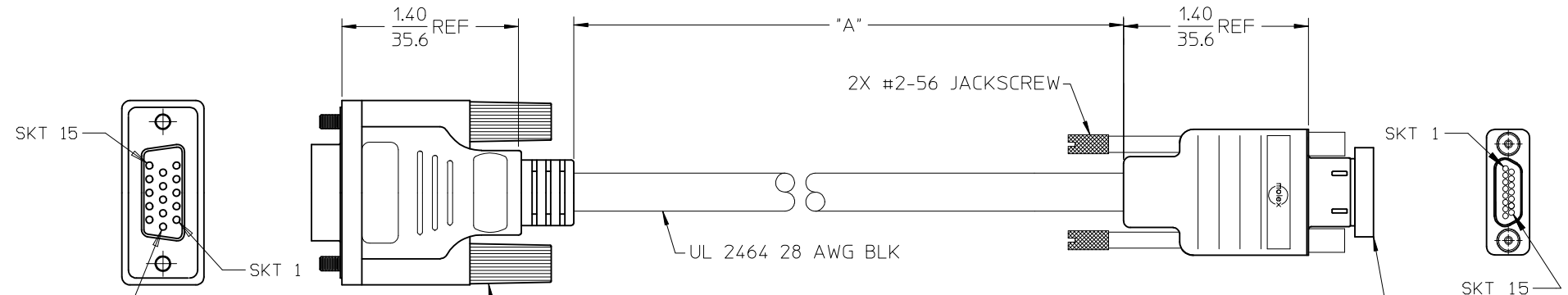


MATERIAL NO.	ENGINEERING NO.	DIM "A"
834229056	83422-9056	18"/457.2mm ±.5/13.0mm
834229057	83422-9057	36"/914.4mm ±.75/19.1mm
834229058	83422-9058	72"/1828.8mm ±1.50/38.1mm
834229063	83422-9063	7"/177.8mm ±.5/13.0mm
834229064	83422-9064	12"/304.8mm ±.5/13.0mm



P1		P2	
1	BLACK	1	
2	BROWN	2	
3	RED	3	
4	ORANGE	4	
5	YELLOW	5	
6	GREEN	6	
7	BLUE	7	
8	PURPLE	8	
9	GRAY	9	
10	WHITE	10	
11	W/BLK	11	
12	W/BRN	12	
13	W/RED	13	
14	W/ORG	14	
15	W/YEL	15	
SHELL	D.W+BD	SHELL	

SHIPPING PLUG-
DISCARD PRIOR TO CONNECTION
(NOT SHOWN ON SIDE VIEW)

P1
MICRO-D SOCKET
15 POSITION

SALES DRAWING

NOTES:
1) REFER TO PS-83421-001 FOR PRODUCT SPEC.
2) RoHS COMPLIANT

ADD PN 834229064 EC NO: IPG2013-0078 TDR: WABRUPERT 2012/07/17 CHKD: APPR: JF MURPHY 2013/03/04 DESCRIPTION	QUALITY SYMBOLS	GENERAL TOLERANCES (UNLESS SPECIFIED)	DIMENSION STYLE	SCALE	DESIGN UNITS	THIRD ANGLE PROJECTION
	▽=0 ▽=0	mm INCH 4 PLACES ± --- ± --- 3 PLACES ± --- ± --- 2 PLACES ± --- ± --- 1 PLACE ± --- ± --- ANGULAR ±1/2°	IN/MM		INCH	
		DRAFT WHERE APPLICABLE MUST REMAIN WITHIN DIMENSIONS	DRAWN BY: JLOMASTR DATE: 04/08/27 CHECKED BY: REDROSS DATE: 04/09/09 APPROVED BY: RDEROSS DATE: 04/09/10	TITLE	CABLE ASSEMBLY CMD 15 POS SOCKET TO 15 POS D-SUB SOCKET	
			MATERIAL NO.	SEE CHART	DOCUMENT NO.	SD-83422-013