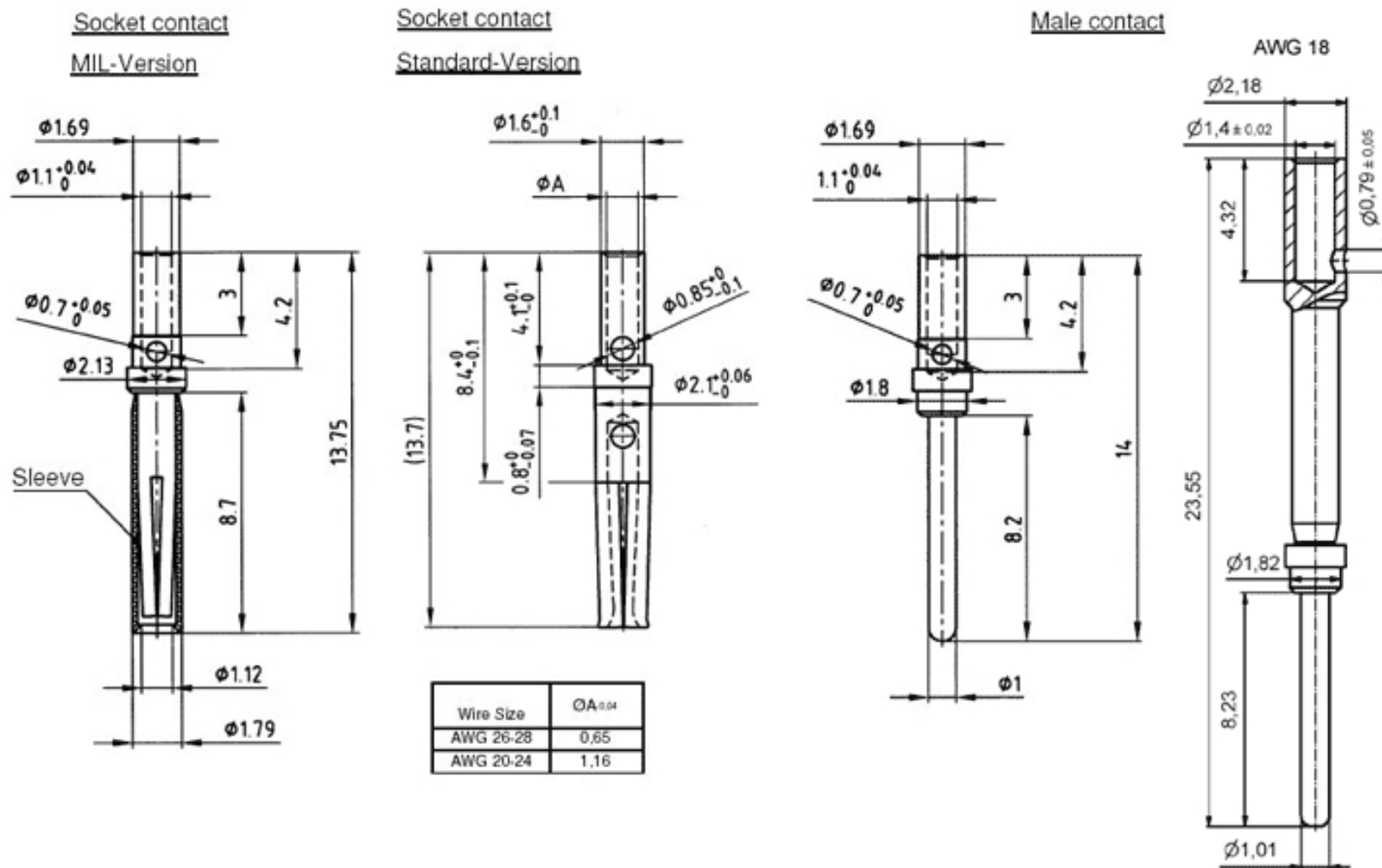


D-Sub Signal Crimp contacts  
accepts cable AWG 18-28



( click on the schematic(s) for a more detailed view )



**PDF drawings**

Part number	PDF-format drawing
131J15039A	<a href="#">13K1A1912.pdf</a>

Please contact Conec for any missing PDF drawings

**Material Socket:**Copper alloy

**Note:**

Crimp contacts are supplied in loose form. Male: brass

**Material:**

Kat 1 i 2NA

Kat 1 i 3NA

Contact -Types	Wire Size (AWG)	$\phi A_{\pm 0.04}$	Socket contact MIL Version	Socket contact Standard	Male contact
separate contacts screw machine - 100 pcs per bag	18	-	-	-	131 J 15039 A
	20-24	1,16	132 J 15019 X	162 A 18709 X	131 J 15019 X
	26-28	0,65	132 J 15029 X	162 A 18719 X	131 J 15029 X

J = 50 micro inch gold plating - Other platings on request.  
A = gold flash plating.



REG.-Nr. 40000440



File #: E202784  
E228329



File #: LR115000