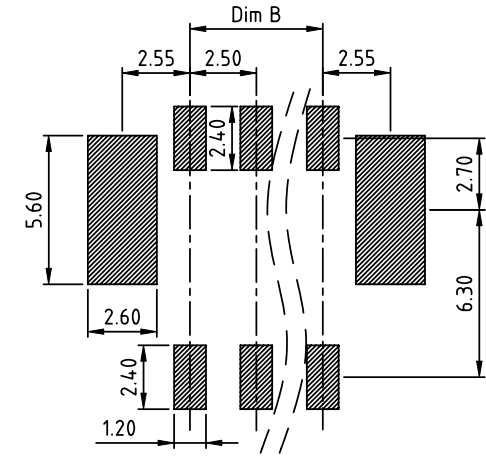
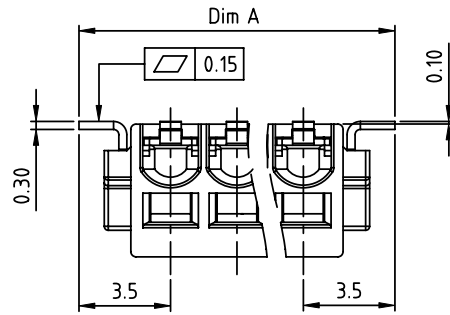
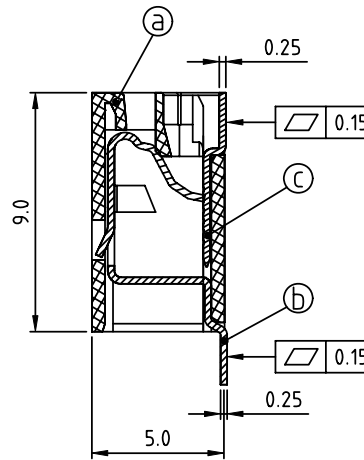
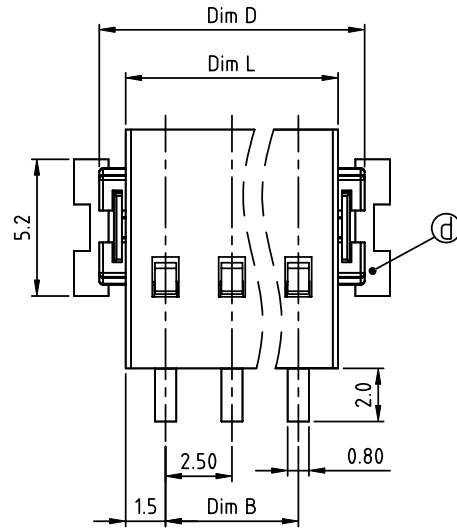


PRODUCT NUMBER	PITCH
NQxx00x000J0G	2.50mm



RECOMMENDED P.C.B LAYOUT  
TOP VIEW



Material:

- Item (a) Terminal housing: LCP (UL94V-0)
- Item (b) Long solder pin: Copper alloy, Bright Tin plated
- Item (c) Short solder pin: Copper alloy, Bright Tin plated
- Item (d) Flange: Copper Alloy, Bright Tin plated

Electrical      UL (UL1977)      cULus (UL1977)

- Voltage rating: 300VAC      300VAC
- Current rating: 6A      3A
- Wire range:
- Solid wire (AWG): 20-26
- Tin Dipped Stranded wire (AWG): 20-26
- Wire strip length: 6-7mm
- Withstanding Voltage: 1.6KV
- Operating temperature: -45°C to +130°C
- Reflow soldering temperature: 260°C/10 Sec Max.
- Safety Approval:

N=Number of poles

Dim L	(N-1) × 2.5+3.0
Dim A	(N-1) × 2.5+6.9
Dim B	(N-1) × 2.5
Dim D	(N-1) × 2.5+5.0

POLES	Dim L & B & D TOL	Dim A TOL
2P - 3P	-0.15/+0.15	-0.15/+0.30

PART NO.: NQ xx 00 x 000J0 G

No. of poles  
Solid block      02 2 poles  
                         03 3 poles

color  
0 Black (RAL 9005)  
1 Natural color  
8 Grey (RAL 7044)

RoHS compliant  
(lead<4%)  
In copper Alloy

mat'l. code		surface ASME Y14.5 ✓	tolerance ASME Y14.5	projection 	product family TERMINAL BLOCK
ltr	ecn no	dr	date	tolerances unless otherwise specified	title TERMINAL BLOCK
B	T-21471	HF	072015		
		angles	0	X.±0.5	scale MM
		0	15	X.X±0.3	
		X*±1°		X.XX±0.1	dwg no NQxx00x000J0G
		dr	EVIN ZHONG	071714	
		enr	EVIN ZHONG	071714	size A4
		chr	HANKE FENG	071714	type CUSTOMER Drawing
		appd	SHI JUN	071714	
sheet index	revision	B			
	sheet	1			