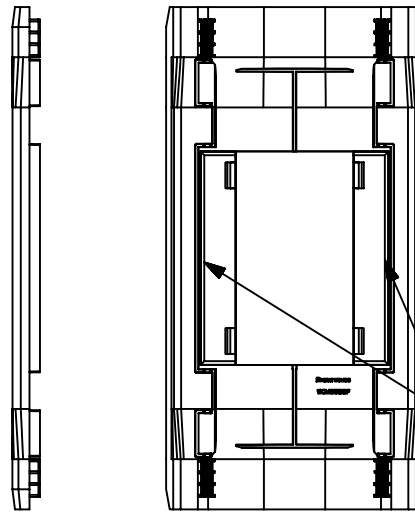
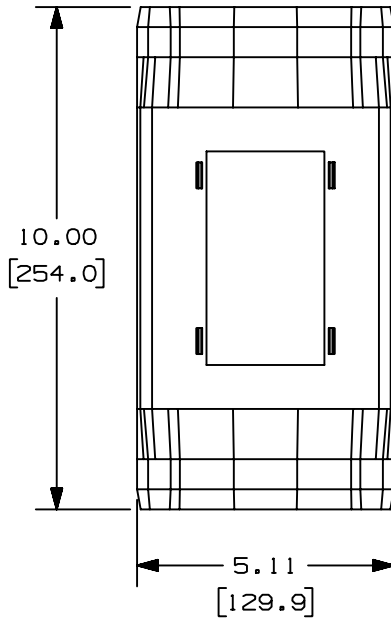


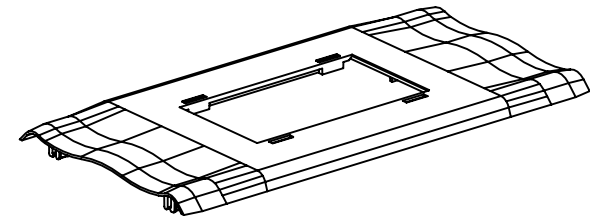
THIS COPY IS PROVIDED ON A RESTRICTED BASIS AND IS NOT TO BE USED IN ANY WAY DETRIMENTAL TO THE INTERESTS OF PANDUIT CORP.



PANDUIT PART NO.	WEIGHT
WCM35DBF	.434 LBS (197.1 G)

- NOTES:
- SEE CURRENT CATALOG FOR ADDITIONAL PART NUMBER SUFFIXES TO INDICATE COLOR AND/OR PACKAGE QUANTITY.
 - THIS PRODUCT IS INTENDED TO BE USED WITH PANDUIT TYPE WCM35 RACEWAY.
 - DIMENSIONS IN PARENTHESIS ARE IN METRIC.
 - NOMINAL WALL THICKNESS IS .100" [2.54].
 - BREAKOUT FEATURE CONVERTS SINGLE GANG TO DUAL GANG.

SEE NOTE 5



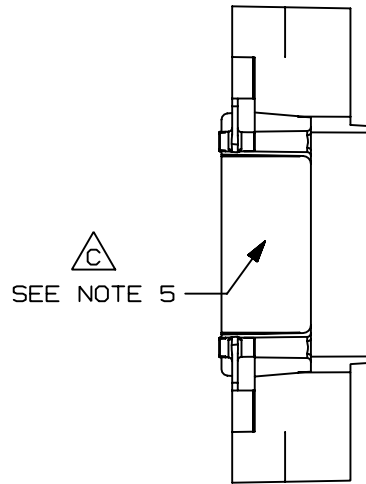
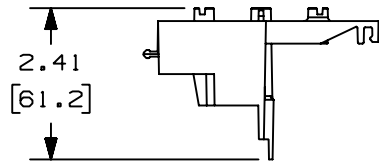
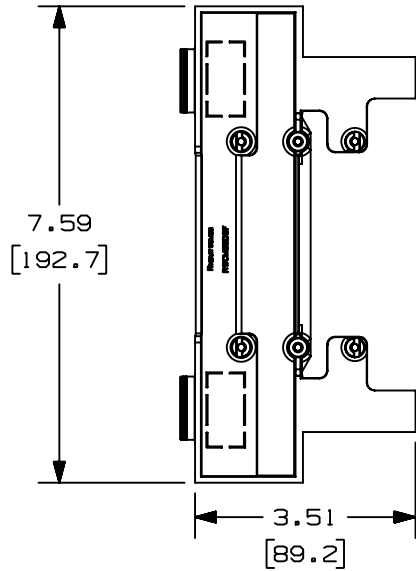
CAD FILENAME/LAYERS D38610BA_DC_WCM35DBF_05C.PRT

PANDUIT CORP. TINLEY PARK, ILLINOIS
 3.5 INCH COVE MOLDING
 DEVICE BOX FACEPLATE ADAPTER (WCM35DBF)
 CUSTOMER DRAWING

REV	DATE	BY	CHK	DESCRIPTION	ECN	CHK	CUST	SUP
3	02-19-04	JBN	RMHI	G. ADDED NOTE; SHEET 1 OF 2 F. REVISED PART WEIGHT	38610-02	RGRO	RGRO	
-	-----	-----	-----	E. ADDED VIEW	-----	-----	-----	
2	01-29-04	JHEP	RMHI	D. ADDED NOTE 5 C. REVISED PART DESCRIPTION	38610-02	RGRO	RGRO	
-	-----	-----	-----	RELEASED TO PRODUCTION	-----	-----	-----	
1	12-10-03	JHEP	RMHI	B. PART WEIGHT REVISED A. PART NUMBER AND DESCRIPTION REVISED	38610-02	RGRO	RGRO	
R	03-27-03	JBN	RMHI	DRAWING RELEASED				

UNLESS OTHERWISE SPECIFIED, DIMENSIONAL TOLERANCES ARE: (.X) ± (.XXX) ±.015 (.38) (.XX) ±.03 (.8) ANGLES ±		UNLESS OTHERWISE SPECIFIED, ALL DIMENSIONS ARE GIVEN IN INCHES, THIRD ANGLE PROJECTION.	
DRAWN BY JBN	MAT'L: PVC	SCALE NONE	
DATE 03-27-03		DRAWING NO. 38610-02 (SHEET 1 OF 2)	DWG A SIZE
CHK'D RMHI			

THIS COPY IS PROVIDED ON A RESTRICTED BASIS AND IS NOT TO BE USED IN ANY WAY DETRIMENTAL TO THE INTERESTS OF PANDUIT CORP.

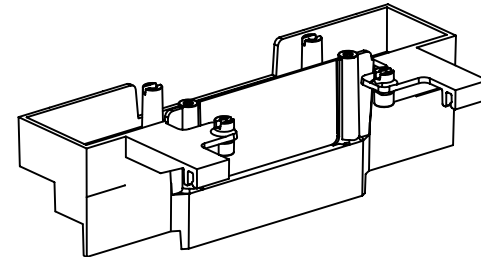


SEE NOTE 5



NOTES:

1. SEE CURRENT CATALOG FOR ADDITIONAL PART NUMBER SUFFIXES TO INDICATE COLOR AND/OR PACKAGE QUANTITY.
2. THIS PRODUCT IS INTENDED TO BE USED WITH PANDUIT TYPE WCM35 RACEWAY.
3. DIMENSIONS IN PARENTHESIS ARE IN METRIC.
4. NOMINAL WALL THICKNESS IS .090" [2.29].
5. REMOVABLE BREAKOUT FEATURE



CAD FILENAME/LAYERS D38611BA_DC_WCM35DBF_08C.PRT

PANDUIT CORP. TINLEY PARK, ILLINOIS

3.5 INCH COVE MOLDING
DEVICE BOX FACEPLATE ADAPTER (WCM35DBF)
CUSTOMER DRAWING

3	02-19-04	JBN	RMHI	E. REVISED DRAWING/ECN NUMBER AND ADDED NOTE D. REMOVED CHART	38610-02	RGRO	RGRO			
2	01-29-04	JHEPRMHI		C. ADDED NOTE 5	38611-02	RGRO	RGRO			
-	-----			RELEASED TO PRODUCTION	38611-02	----	----			
1	12-30-03	JHEPRMHI		B. REVISED WEIGHT A. REVISED PART NUMBER AND DESCRIPTION	38611-02	RGRO	RGRO			
R	03-27-03	JBN	RMHI	DRAWING RELEASED						
REV	DATE	BY	CHK	DESCRIPTION	ECN	CHK	CUST	SUP		

UNLESS OTHERWISE SPECIFIED, DIMENSIONAL TOLERANCES ARE: (.X) ± (.XXX) ±.015 (.38) (.XX) ±.03 (.8) ANGLES ±		UNLESS OTHERWISE SPECIFIED, ALL DIMENSIONS ARE GIVEN IN INCHES, THIRD ANGLE PROJECTION.
DRAWN BY JBN	MAT'L: PVC	SCALE NONE
DATE 03-27-03	CHK'D RMHI	DRAWING NO. 38610-02 (SHEET 2 OF 2)
		DWG A SIZE