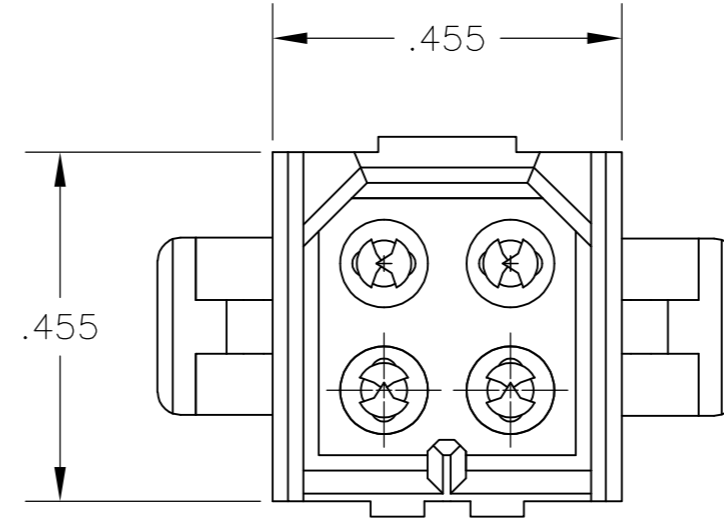
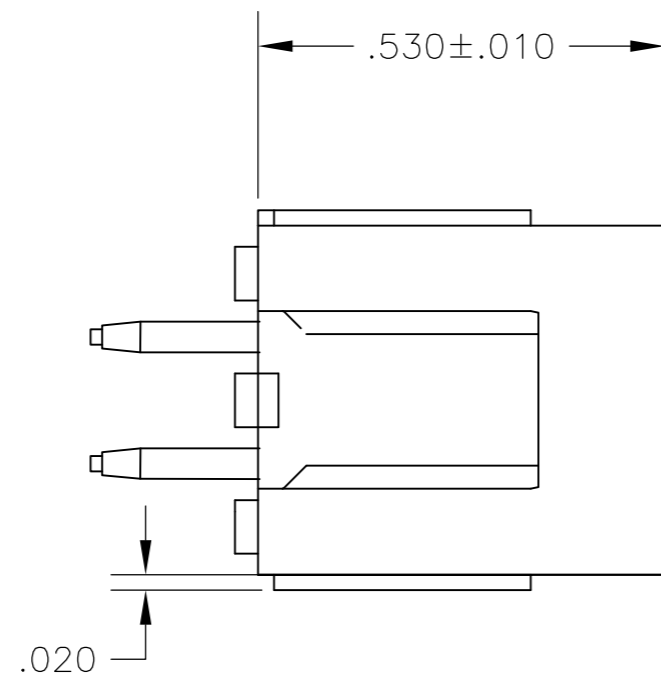
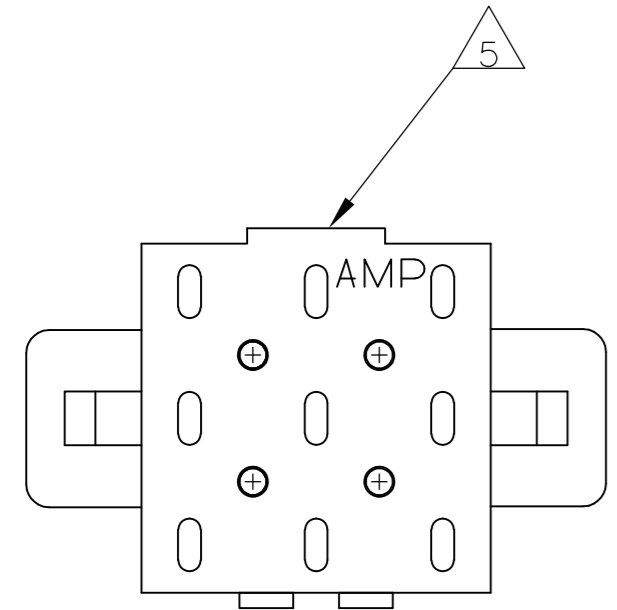


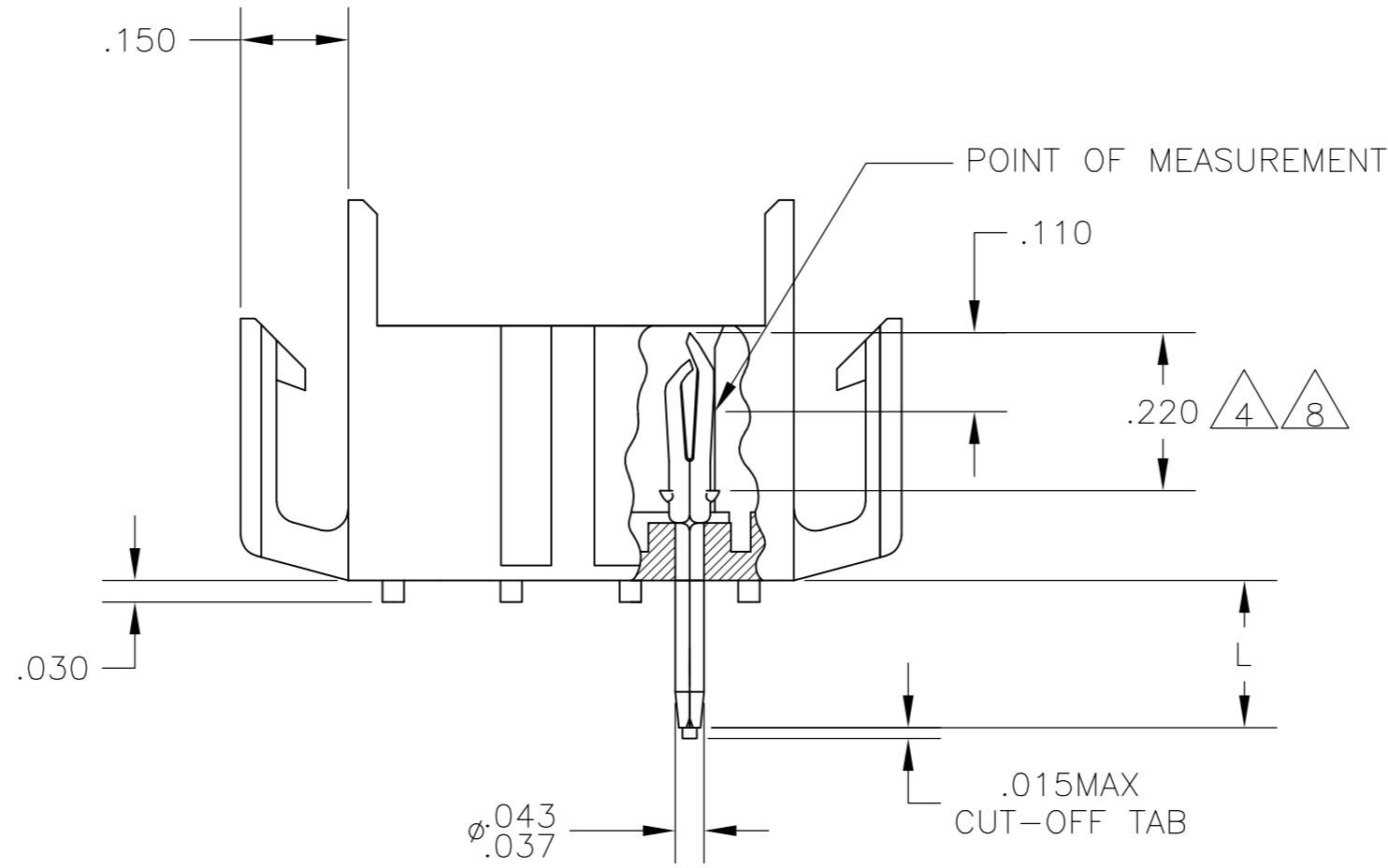
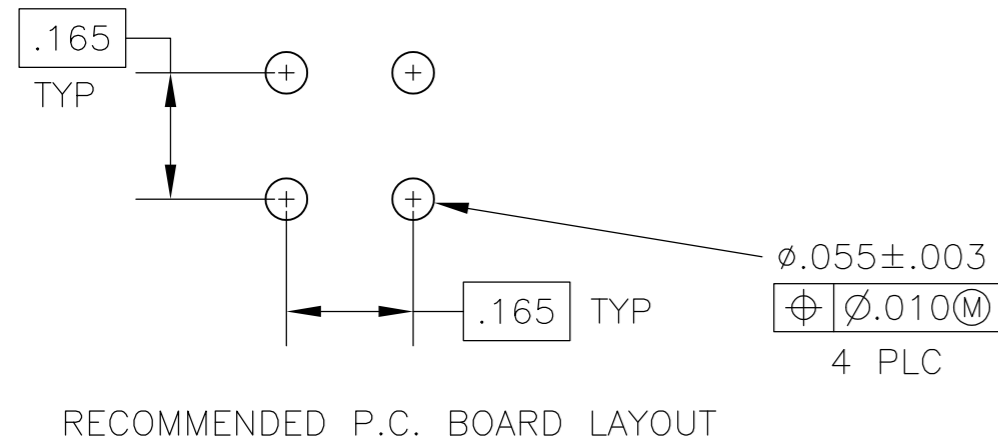
THIS DRAWING IS UNPUBLISHED. RELEASED FOR PUBLICATION
 © COPYRIGHT - By - ALL RIGHTS RESERVED.

LOC	DIST	REVISIONS					
CM	0	P	LTR	DESCRIPTION	DATE	DWN	APVD
		P2		REVISED PER ECO-11-004917	11MAR11	RK	HMR

ANTI SOLDER WICKING TAB



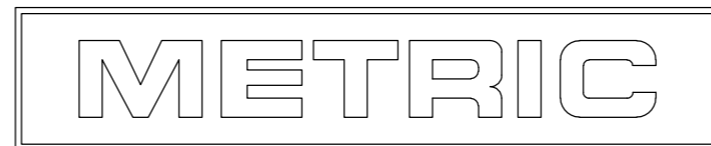
1. FITS SOCKET HOUSING 640519.
2. ASSEMBLY CONFORMS TO AMP SOLDERABILITY SPEC. 109-11-3.
3. FOR USE WITH .063 THICK P.C. BOARD.
4. CONTACT IS PLATED OVERALL WITH .000050 NICKEL, THEN .000030 GOLD OVER CONTACT LENGTH INDICATED AND .000150 MATTE TIN-LEAD ON SOLDER TAIL END.
5. UL AND CSA LOGO LOCATED ON THIS SURFACE.
6. FOR USE WITH .120 THICK P.C. BOARD.
7. FOR USE WITH .093 THICK P.C. BOARD.
8. CONTACT IS PLATED OVERALL WITH .000050 NICKEL, THEN .000030 GOLD OVER CONTACT LENGTH INDICATED AND .000150 MATTE TIN ON SOLDER TAIL END.
9. OBSOLETE PARTS: OBSOLETE CIS STREAMLINING PER D.RENAUD/D.SINISI



9 OBSOLETE	.180	7	BRICK RED	GOLD	8	2-640499-6
	.210	6	BRICK RED	GOLD	8	2-640499-4
	.150	3	BRICK RED	GOLD	8	2-640499-2
9 OBSOLETE	.180	7	BRICK RED	GOLD	4	640499-6
	.210	6	BRICK RED	GOLD	4	640499-4
	.210	6	BRICK RED	PRE-TIN	4	640499-3
	.150	3	BRICK RED	GOLD	4	640499-2
	.150	3	BRICK RED	PRE-TIN	4	640499-1
	"L" +.010 -.020		HOUSING COLOR	PIN FINISH		PART NUMBER

IN	MM	IN	MM	IN	MM	IN	MM
.010	0.25	.055	1.40	.210	5.33	-	-
.008	0.20	.043	1.09	.180	4.57	-	-
.005	0.13	.037	0.94	.165	4.19	-	-
.003	0.08	.030	0.76	.150	3.81	.530	13.46
.000050	0.00127	.020	0.51	.110	2.79	.455	11.56
.000030	0.00076	.015	0.38	.063	1.60	.220	5.59

CONVERSION TABLE



THIS DRAWING IS A CONTROLLED DOCUMENT.

DWN: J. HUFFMAN 27APR98
 CHK: R. SWING 27APR98
 APVD: T. BEDDICK 27APR98

TE Connectivity

NAME: HEADER ASSEMBLY, PIN, 4 POSITION, MR.

SIZE: A2 CAGE CODE: 00779 DRAWING NO: 640499 RESTRICTED TO: -

WEIGHT: - SCALE: 4:1 SHEET: 1 of 1 REV: P2

CUSTOMER DRAWING

MATERIAL: HOUSING: FLAME RETARDANT NYLON UL 94V-0 PIN: .008 PH. BRZ. FINISH: SEE TABLE

TOLERANCES UNLESS OTHERWISE SPECIFIED:
 0 PLC ± -
 1 PLC ± -
 2 PLC ± -
 3 PLC ± .005
 4 PLC ± -
 ANGLES ± 0°30'