

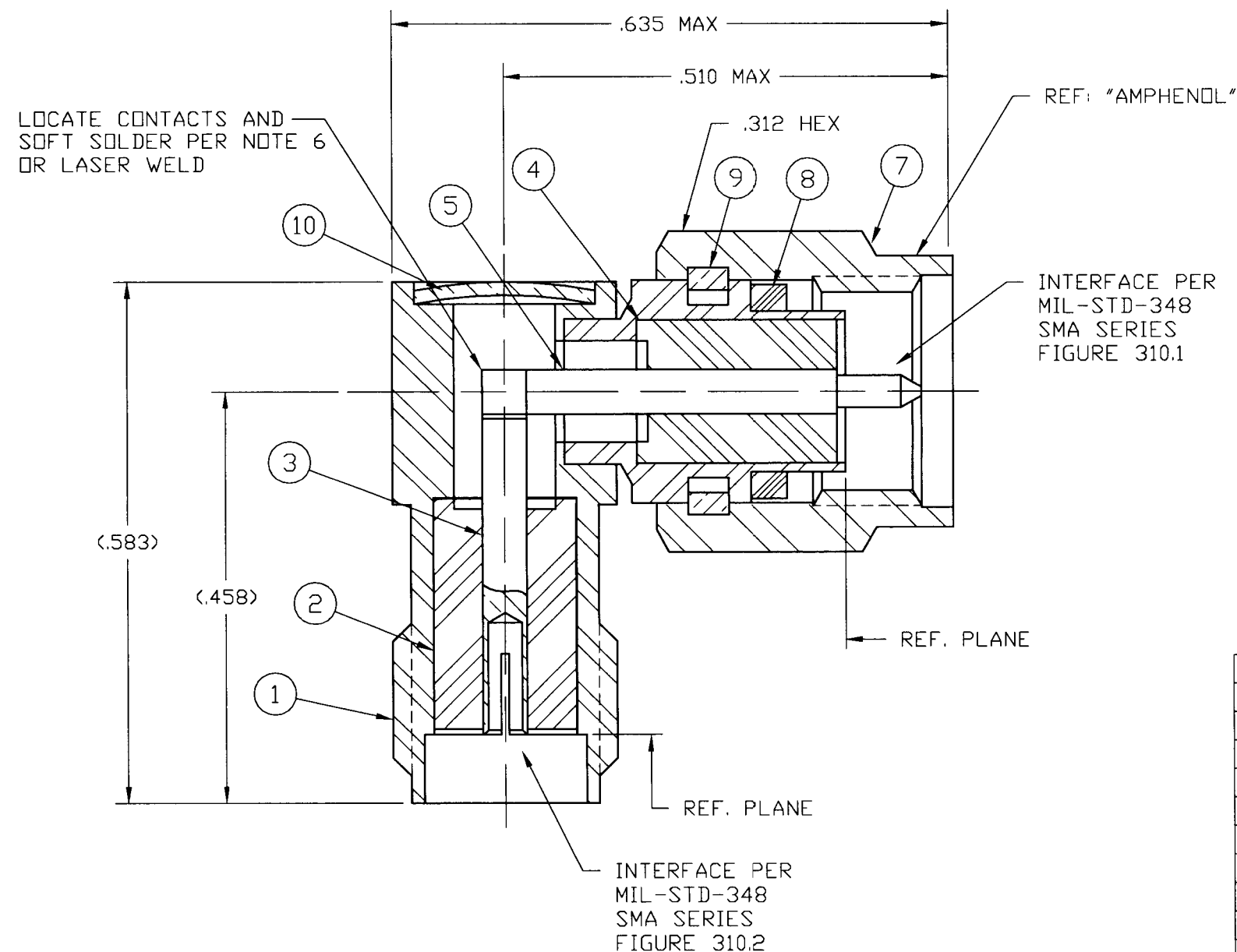
NOTES:

1. PLATING MUST CONFORM TO AMPHENOL SPEC 349-50560. CONTACTS ARE GOLD PLATED, ALL OTHER METAL PARTS ARE PASSIVATED (REF).
2. WAX DIP BEFORE ASSEMBLY.
3. INSULATORS (ITEMS 2 & 4) ARE A PRESS FIT INTO BODY S/A (ITEM 1).
6. WHEN SOLDERING, USE COMPOSITION Sn60/Pb40 ONLY.
7. PACKAGE IN ANTI-STATIC BAG 999-284. MARK BAG OR TAG IN BAG: "AMPHENOL, 901-9219-ASF AND DATE CODE".
8. AFTER ASSEMBLY COUPLING NUT (ITEM 7) MUST WITHSTAND A 100 LBS. PULL OFF FORCE & 15 IN.*LBS. TORQUE, AND BE FREE TURNING AFTER TEST.
9. DO NOT SCALE THIS DRAWING.
10. UNLESS OTHERWISE SPECIFIED, ALL DIMENSIONS ARE AFTER PLATING.

901-9219-ASF

REVISIONS

DRAWING NO.	REV	DESCRIPTION	DATE	ECO	APPR
THIRD ANGLE PROJ.	A	OFFICIAL ENG. RELEASE TO MFG.	6/1/77	25271	SP/
	J	REDRAWN WAS 'C' SIZE; ADD 901-6919 IN PLACE OF 901-6064 & 901-6175; 901-6554-PA WAS 901-6164-1; ADD PLATE CODES; CHG'D. NOTE 1; ADD NOTES 7 THRU 10; SOLDER WAS Sn10/Pb90; .635 MAX WAS .625 REF; .510 MAX WAS .500 REF; .583 REF WAS .585 REF; .458 REF WAS .460.	08 Aug 95	39454	CPM



PART NUMBER	QTY	ITEM	DESCRIPTION	FINISH
901-6209-1PA	1	10	CAP	NOTE 1
901-6165	1	9	RETAINING RING (SEE NOTE 2)	
901-6166	1	8	GASKET	
901-6554-PA		7	COUPLING NUT	NOTE 1
	1	6		
901-6062-GA	1	5	CONTACT, MALE	NOTE 1
901-5023-62	1	4	INSULATOR	
901-6063-GA	1	3	CONTACT, FEMALE	NOTE 1
901-5023-63	1	2	INSULATOR	
901-6919	1	1	CUBE BODY-BODY SUB-ASS'Y.	

UNLESS OTHERWISE SPECIFIED, DIMENSIONS ARE IN INCHES AND TOLERANCES ARE:
 2 PLACE DECIMAL ±.015 (0,381 mm) 3 PLACE DECIMAL ±.005 (0,127 mm) ANGLES ± 1°

NOTICE - These drawings, specifications, or other data (1) are, and remain the property of Amphenol Corp. (2) must be returned upon request; and (3) are confidential and not to be disclosed to any person other than those to whom they are given by Amphenol Corp. The furnishing of these drawings, specifications, or other data by Amphenol Corp., or to any other person to anyone for any purpose is not to be regarded by implication or otherwise in any manner licensing, granting rights or permitting such holder or any other person to manufacture, use or sell any product, process or design, patented or otherwise, that may in any way be related to or disclosed by said drawings, specifications, or other data.

MATERIAL

 REFERENCE
 DOR 42-901-315877
 SIMILAR TO 901-125-11SF

DRAWN S. PUGNER DATE 5/24/77
 ENGINEER DATE
 APPROVED R. AVERY DATE 5/25/77
 CAD FILE H:\PETE\SMA\901\ASSY\9219ASF0

TITLE
**SMA ADAPTER
 RIGHT ANGLE
 PLUG-JACK**

Amphenol
 Amphenol Corporation
 RF/Microwave Operations
 Danbury, Conn. U.S.A. 06810
 SCALE: 6:1 SHEET OF
 CODE ID 74868 DWG SIZE B DRAWING NO. 901-9219-ASF REV J